



Floor Gullies & Rodding Eyes

Contents

Item	Page	Item	Page
Introduction		Fixed Height Units	
Wade & Alumasc	3	Fixed Height Range Overview	60
Designed and manufactured in the UK	4		
Interactive PDF	5	Fixed Height Gullies	
Quality & Sustainability	6	Range Summary	61
Product Range Summary	7	Gullies - Cast Iron	62
Design Considerations	8	Gullies - Stainless Steel	65
		Deck Gullies	71
		Backflow Valve Gullies	73
		Shower Gullies	74
Adjustable Height Gullies			
Range Overview	11		
		Direct Connection	
Vari Level		Guide	77
Guide	12	Gratings Range Summary	78
Range Summary	13	Gratings - Cast Iron	79
Bodies - Cast Iron	14	Gratings - Nickel Bronze	80
Bodies - Stainless Steel	25	Gratings - Stainless Steel	83
Bodies - Plastic	27	Rodding Eyes - Range Summary	86
Clamping Collars	28	Rodding Eyes - Cast Iron	87
Side Inlet Options	30	Rodding Eyes - Nickel Bronze	87
Gratings Range Summary	31	Rodding Eyes - Stainless Steel	89
Gratings - Cast Iron	32	Accessories	90
Gratings - Nickel Bronze	33		
Gratings - Stainless Steel	35	Bespoke Gullies	
Rodding Eyes Range Summary	38	Introduction	93
Rodding Eyes - Cast Iron	39	Case Studies	94
Rodding Eyes - Nickel Bronze	39		
Rodding Eyes - Stainless Steel	41	Specification	
Extension Pieces	42	Care & Maintenance	96
Gratings & Rodding Eye Adaptors	43	Glossary	97
Accessories	45		
Planter Drains	48		
Multi Level			
Range Summary	49		
Gullies - M Series Assemblies	50		
Gullies - Shallow Sump Cast Iron	52		
Gullies - Deep Sump Cast Iron	55		
Gullies - Stainless Steel	57		

Recommended Viewing Settings

For optimum viewing please use Adobe Acrobat. This PDF contains clickable links and bookmarks to allow you to access the information faster. Some of these features may not work in other PDF readers.

Find out more on Page 5.

60 years of dependable drainage products

Wade, part of Alumasc Water Management Solutions has been operating in the building industry for over 60 years. Wade's class-leading products are designed and manufactured to meet individual project specification, ensuring many years of reliable service after installation.

Ongoing research and development has seen our product offering expand to accommodate the ever-increasing demands of modern construction projects.

Our state-of-the-art design, manufacturing and distribution facility in Halstead allows us to maintain consistently high standards in product production, and to provide unrivalled technical support to our customers, from design stages through to project completion. Our longevity has resulted in a wide range of solutions suitable for almost all drainage applications, including floor, shower, rodding eyes, roof outlets, non-freeze water points grease converters and channel drainage.

As project requirements continue to evolve, Wade continues to push the boundaries of product development, maximising on decades of industry experience.



Wade is part of the AWMS family



Alumasc (AWMS) is a UK-based supplier of premium building products. The majority of the group's business is focussed on sustainable building products that enable customers to manage energy and water use in the built environment.

They include: Skyline Architectural Aluminium; Alumasc Rainwater Gutters & Downpipes; Harmer Building Drainage; Wade Building Drainage and Gatic Drainage & Engineered Access Covers.



Designed and manufactured in the UK

Our facility in Halstead is equipped with the latest technology, allowing the design and manufacture of an extensive product range, including bespoke solutions. Where applicable, our skilled workforce utilises automated processes for maximum efficiency, resulting in the following manufacturing capabilities:

- Laser Cutting
- Folding
- Welding
- Machining
- Milling
- Linishing

Our honed production methods make possible a virtually unlimited range of standard and made-to-order engineered drainage solutions that are both fit for purpose and cost effective.

Research & Development

A rolling programme of research and development keeps Wade at the forefront of the drainage industry.

Our commitment to invest in up-to-the-minute technology and QA processes, not only ensures consistent product performance, but also provides a valuable resource when seeking solutions to building drainage practices.

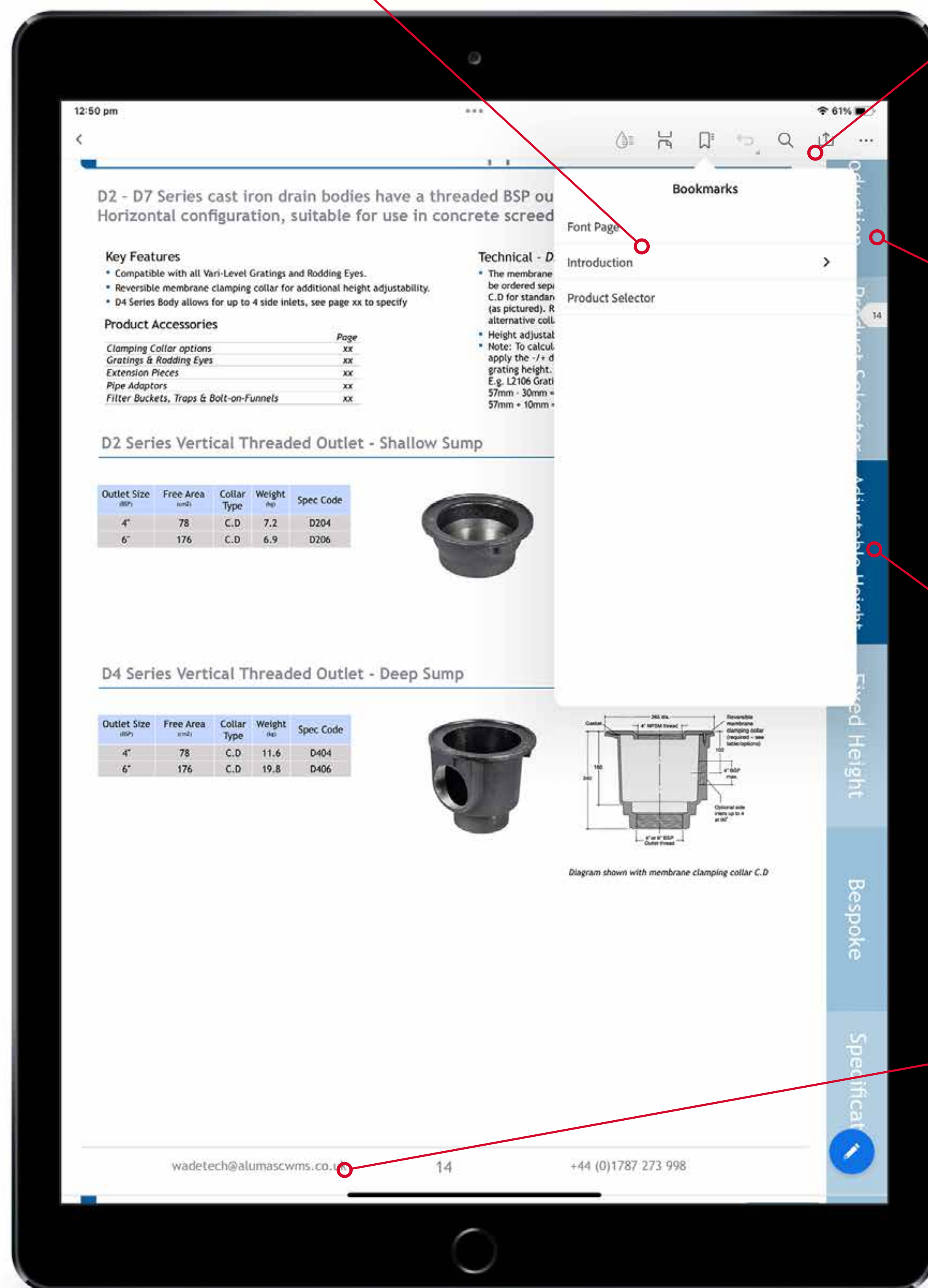


Interactive PDFs - A Waste first!

A new way to navigate; if you open your PDF in Adobe Acrobat, you can click on certain elements throughout the brochure. See below for full details of what you can click on!

Bookmarks panel - PDF reader can display all the bookmarks in the document

Contents button - Click (On Pc) or tap (on Ipad) to return to contents page



Navigation buttons - Click or tap the section you wish to visit

Navigation button - Dark blue is the section you are in

Link - Click or tap to open up your email client to email Wade tech.

Recommended Viewing Settings

For optimum viewing please use Adobe Acrobat. This PDF contains clickable links and bookmarks to allow you to access the information faster. Some of these features may not work in other PDF readers.

In addition to compliance with environmental legislation, Alumasc is committed to developing its own measures to limit the adverse effects of its activities on the environment. To this end, Alumasc operates an environmental policy that fully integrates all aspects of company activities.



Green Economy

The Alumasc Group plc is pleased to be recognised by London Stock Exchange as contributing to the global green economy. The Mark is given to companies and funds that derive more than 50% of revenues from environmental solutions.

The Alumasc Group plc provides high-quality, low carbon, sustainable building products, systems and solutions, which help manage the scarce resources of energy and water in the built environment, and improve quality of life for the owner/occupier.



BSI ISO 9001:2015

This certification provides a structured framework for quality management systems (QMS), enabling us to enhance their overall efficiency and effectiveness. The standard also promotes a customer-centric approach, emphasising the importance of meeting customer requirements and delivering consistent, high-quality products and services.



Sustainability

Alumasc actively pursues sustainability in its full range of products, and, with its partners and suppliers, is committed to putting consideration for the built and wider environment at the core of all aspects of current business and future development.

Professional memberships

- The Chartered Institution of Building Services Engineers (CIBSE) is the professional body that exists to advance and promote the art, science and practice of building services engineering. Supporting a community of built environment professionals in their pursuit of excellence.
- The Society of Public Health Engineers (SoPHE) provide a higher profile and focus for public health engineers within CIBSE. Providing a recognised framework to support public health engineers in their field.
- EHEDG certification reflects a commitment to quality and reliability, by opting for EHEDG-certified manufacturers, you can trust that you are making a safe and informed choice, aligning with the highest hygienic standards in the industry.
- For over 50 years, NBS has helped architects produce their specifications and connect them with manufacturers. NBS Source helps specifiers select products confidently and efficiently.



Introduction - Range Summary

Wade floor drainage products are readily available in standard units with associated components. The standard range gives designers and installers great flexibility to create visually appealing and effective drainage in both new build and refurbishment projects, providing practical options for a vast number of applications in buildings across all sectors.

Adjustable Height

Adjustable Height gullies provide an accurate and efficient means of installation. The range comprises Vari-Level and Multi-Level, offering height adjustability for differing applications. Vari-Level provides the ultimate in design flexibility with a wide range of grating and bodies that are interchangeable to fit most drainage applications.

Fixed Height

The Fixed Height gully range comprises two distinct options: Fixed Height gullies and Direct Connection. Fixed Height gullies offer a grating section which is fixed to the gully body with no height adjustment.

For applications where a gully body is not required, the Direct Connection range can be used to directly connect to pipework. A comprehensive range of high-quality gratings and rodding eyes are available.

Accessories and Bespoke

A full range of accessories, including standard optional extras, is available to cover most applications. In addition, a fully bespoke service is available for non-standard applications.

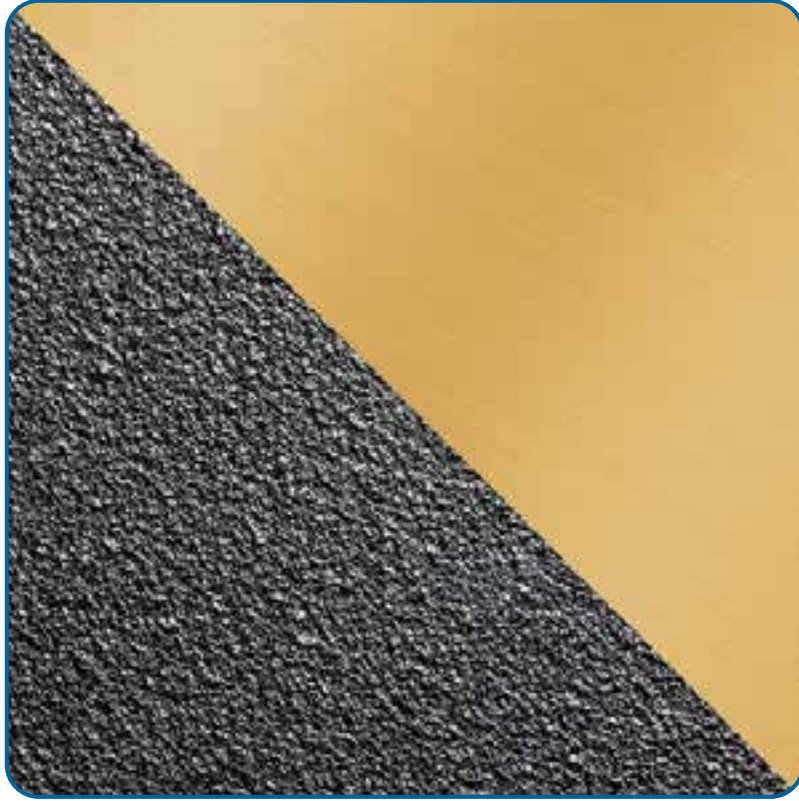


Design Considerations

A few FAQ's that it is worth considering before you speak with our Sales & Technical team. Typically these questions are the starting point in specifying your ideal product.

Aesthetics

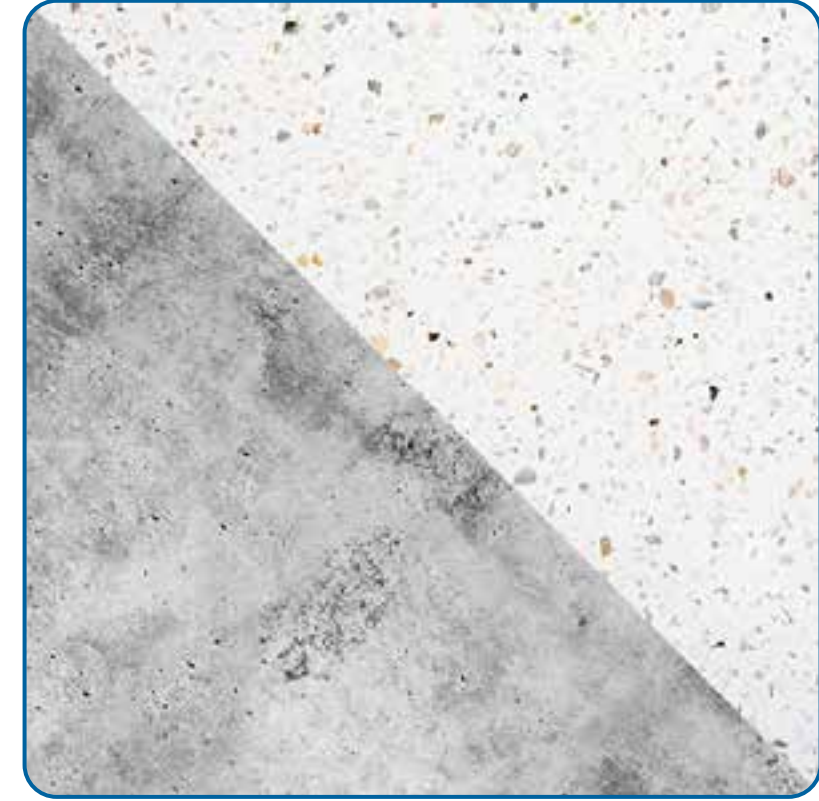
Material Type



Grating Style



Floor Finish



Performance

Flow Rate



Load Rating

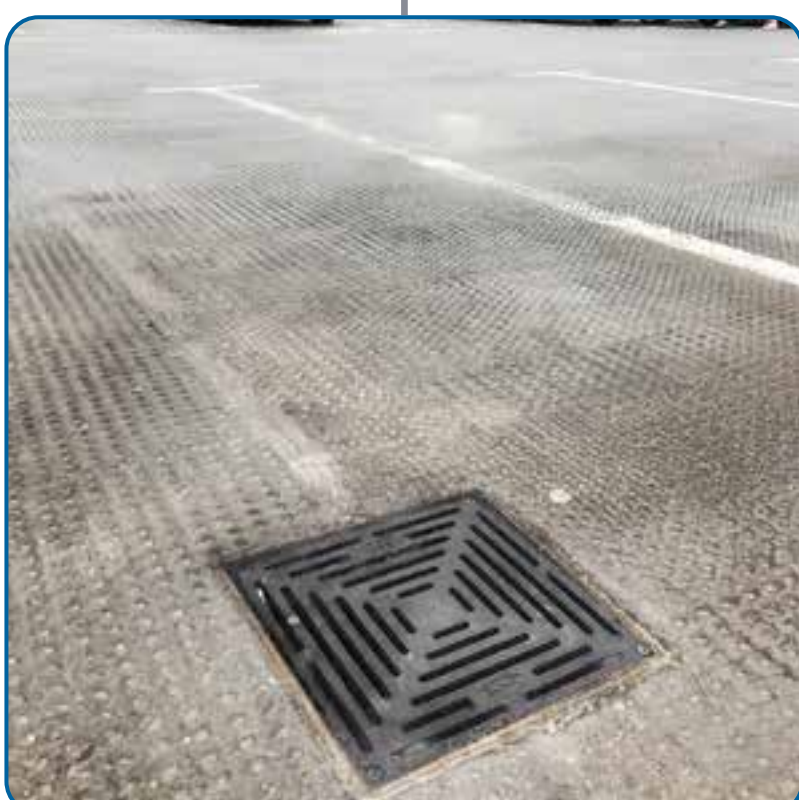


Interval Servicing



Environment

Industrial



Commercial



Hygiene



Design Considerations

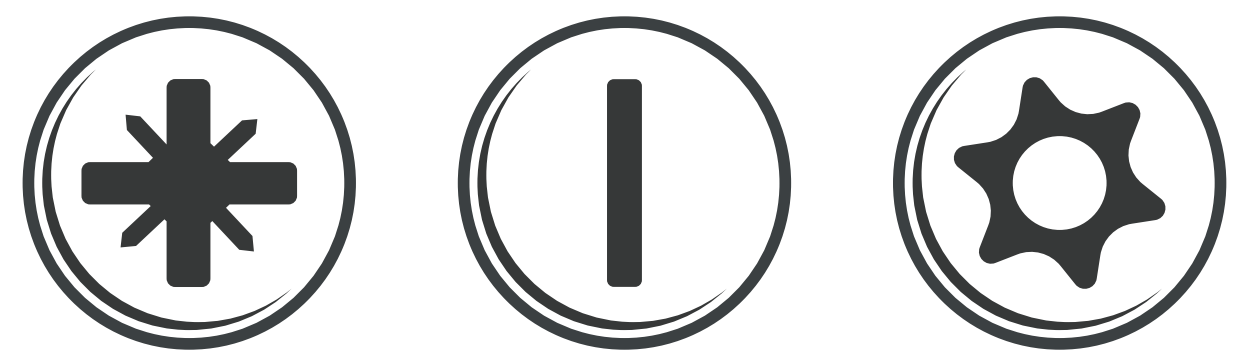
Quality and suitability of materials is a key design consideration when choosing the correct drainage material for application. To help identify materials quickly and easily, we have introduced the following materials key throughout the brochure;

Materials Key

- CI** **Cast Iron**
 - Cast Iron is a widely used metal in the drainage industry, its resistance to corrosion permits extended use under extreme conditions. Castings are surface coated to provide protection, paint will gradually wear off and is replaceable; oxidation (surface rusting) is a natural process which does not weaken the material. A zinc anti-corrosion coating is applied to certain castings by sherardizing. Used for bodies, membrane clamping collars, threaded pipework adaptors and accessories such as extensions.
- DI** **Ductile Iron**
 - A versatile and strong material, Ductile Iron is a type of cast iron known for its impact and fatigue resistance, elongation, and wear resistance due to the spherical (round) graphite structures in the metal. Used for Gratings, Ductile Iron provides a long durable service in high traffic areas. A zinc anti-corrosion coating is applied by sherardizing.
- MS** **Mild Steel**
 - Mild steel is a ferrous metal made from iron and carbon, It's a malleable material that is easy to work with and makes it ideal for use in fabricated and machined parts. Used for pipe adaptors and couplings for connections to pipework.
- NB** **Nickel Bronze**
 - Nickel Bronze is a cast alloy with a fine grain effect which blends well with most floor finishes. The nickel and copper content makes it a very durable material and is suited to a long-life service. When left, the material will gradually tarnish to a darker bronze but will keep its high lustre finish if cleaned/polished. Used for Gratings, Rodding Eyes and funnels.
- PL** **Plastic**
 - Certain plastics provide a high degree of resistance to heat, chemical and abrasion resistance. Components such as removable traps, dip tubes, extensions and threaded pipework adaptors use a range of Polypropylene and ABS plastic.
- SS** **Stainless Steel**
 - Stainless Steel is a corrosion-resistant metal containing significant amounts of nickel and chromium; Grade 304 stainless steel is used as standard, which is suitable for general use in and around buildings including food and hygiene applications. In areas with more aggressive environments, such as swimming pools or marine applications, grade 316 is available on request. Used for bodies, gratings, funnels, rodding eyes, filter buckets and fixings.

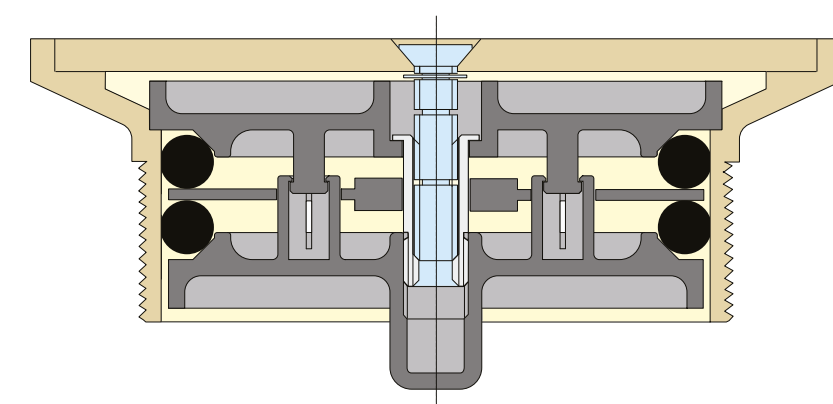
Fixings

- A key practical design feature of the gully is its accessibility for maintenance; gratings and rodding eyes provide access to the drain below and are supplied with standard (flat head or cross head) stainless steel fixing screws. Security screws are available for high security areas where unauthorised access is prohibited. Refer to 'Optional Extras' on product pages to specify.



Fixings & Seals

- Seals and Gaskets provide a vital role in connections of auxiliary components and mating parts to ensure odour control and airtight seals in sensitive areas. 'Superseal' rodding eyes provide a double seal O'ring with screw mechanism for additional compression.



Adjustable Height Gullies



Range Overview

Wade Adjustable Height gullies offer an extensive core range of standard components for wide ranging applications that require high quality drainage solutions.

Vari-Level - Page 12



Vari-Level gullies provide a standard range of components that can be combined to give specifiers and designers a wide choice of materials flexible enough to suit many applications and floor finishes.

Vari-Level fine adjustment allows precise installation for finished floors, whilst the extensive range of accessories provides the ultimate in practicality and performance.

Multi-Level - Page 49



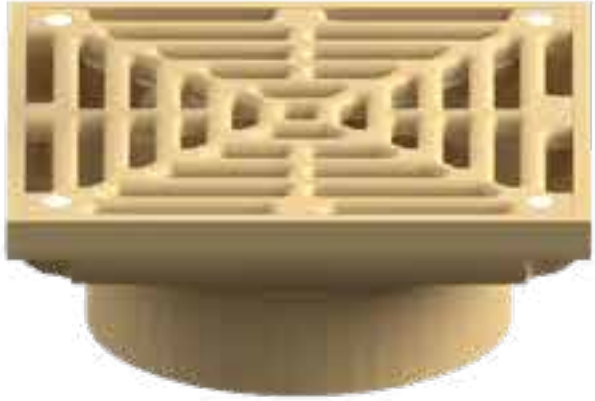


Multi-Level gullies are designed to give height adjustability during installation. Multi-Level gullies include the facility for a membrane clamping collar to ensure a watertight joint between the gully body and membrane.

Gratings are available in ductile iron or stainless steel to suit a range of requirements, from plant rooms to pedestrian areas. Drainage can also be provided at membrane level via weep holes or a slotted collar.

Vari-Level Guide

The term Vari-Level refers to the fine threaded adjustability of the finished height of a grating or rodding eye above a body or adaptor; this feature enables installation exactly at finished floor level by rotating the grating or rodding eye.

Example of a Vari-Level gully assembly with accessories and threaded pipework adaptor

	Funnel (Bolt-on)	NB SS MS	Funnels for indirect waste pipes available in single or multiple options.
	Grating or Rodding Eye	NB SS CI	High performance grating and rodding eyes suitable for a number of configurations.
	Extension	CI PL SS	A range of extensions to provide additional height adjustability.
	Membrane clamping collar (with gasket)	SS CI PL	Every body has a collar option to suit varying installations.
	Body	SS CI PL	Industry leading range of gully bodies in a wide selection of materials and configurations. Exceptional array of outlet types and inlet options.
	Threaded pipework adaptor	CI PL MS	A range of connectors to suit new or existing pipework installations.

Vari-Level - Range Summary

The standard Vari-Level range of components is split into gully bodies, gratings, rodding eyes and accessories. For ease, each component is split into material type and can be identified throughout by the material symbol.

CI

Cast Iron Bodies - Pages 14-24

An extensive range of cast iron gully bodies, with multiple outlet configurations. Available in shallow and deep sump variants, trapped and non-trapped, with side-inlet options.



SS

Stainless Steel Bodies - Pages 24-27

Stainless Steel gully bodies are available in Grade 304 or 316, trapped or non-trapped, with vertical and horizontal outlet configurations, and side-inlet options.



PL

Plastic Bodies - Page 28

Plastic ABS trapped gully bodies are available trapped or non-trapped, with vertical and horizontal outlet configurations, and side-inlet options.



CI

Grates & Rodding Eyes - Page 31

SS

A comprehensive range of gratings and rodding eyes, in cast iron, stainless steel and nickel bronze, including Superseal covers, security gratings and funnels.

NB



CI

Accessories - Pages 42-48

SS

The Vari-Level accessories list includes bolt-on funnels, extension pieces, filter buckets, pipe adaptors, and other practical accessories for specialist applications.

NB

PL

MS



Vari Level Bodies - non-trapped

C2 - C5 Series cast iron drain bodies offer a compact solution which is ideal for use in structural deck construction and for use with thin membranes. e.g. single ply.

Key Features

- Compatible with all Vari-Level Gratings and Rodding Eyes.
- Reversible membrane clamping collar for additional height adjustability.
- C5 Series Body allows for up to 4 side inlets, see page 29 to specify.

Product Accessories

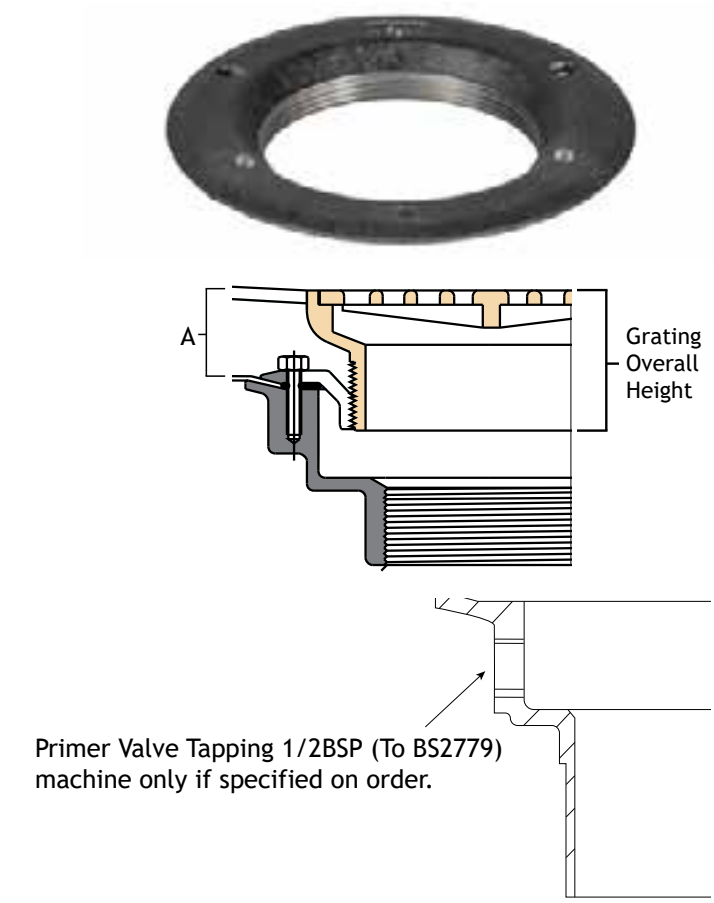
	Page
Gratings & Rodding Eyes	31
Extension Pieces	42
Pipe Adaptors	43
Filter Buckets, Traps & Bolt-on-Funnels	45

Technical - Did you know?

- The membrane clamping collar must be ordered separately. Use spec code C.C for standard 4" NPSM throat collar.
- Height adjustability is -30mm /+15mm
- Note: To calculate distance A (adjustability) apply the +/- dimension (above) to the overall grating height. E.g. L2106 Grating has overall height of 57mm:
57mm - 30mm = **Min 27mm**
57mm + 10mm = **Max 72mm**.

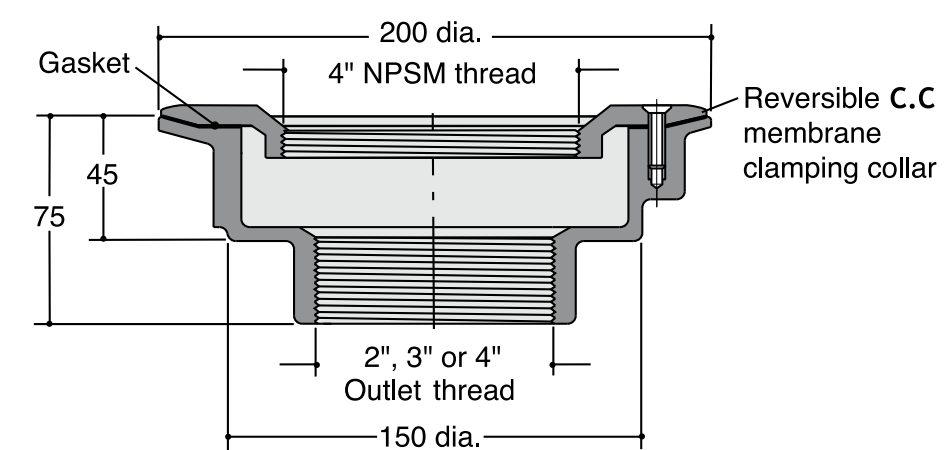
Optional Extras

- W** - add suffix 'W' to collar for weepholes eg C.CW
- TP** - add suffix 'TP' for Trap Primer



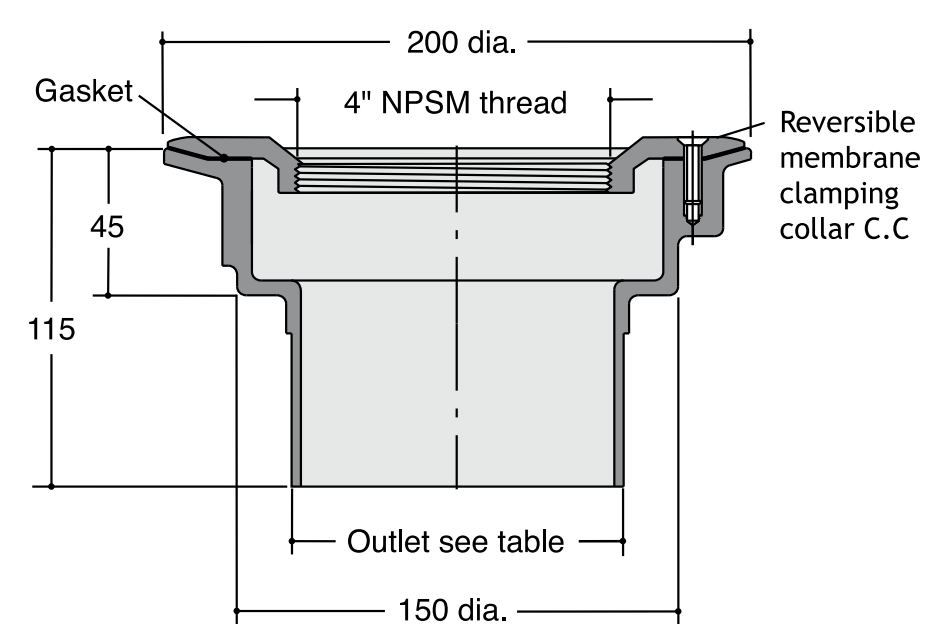
C2 Series Vertical Threaded Outlet - Shallow Sump

Outlet Size (BSP)	Free Area (cm ²)	Weight (kg)	Spec Code	
			Collar	Body
2"	19	2.8	C.C	C202
3"	44	2.9	C.C	C203
4"	78	2.8	C.C	C204



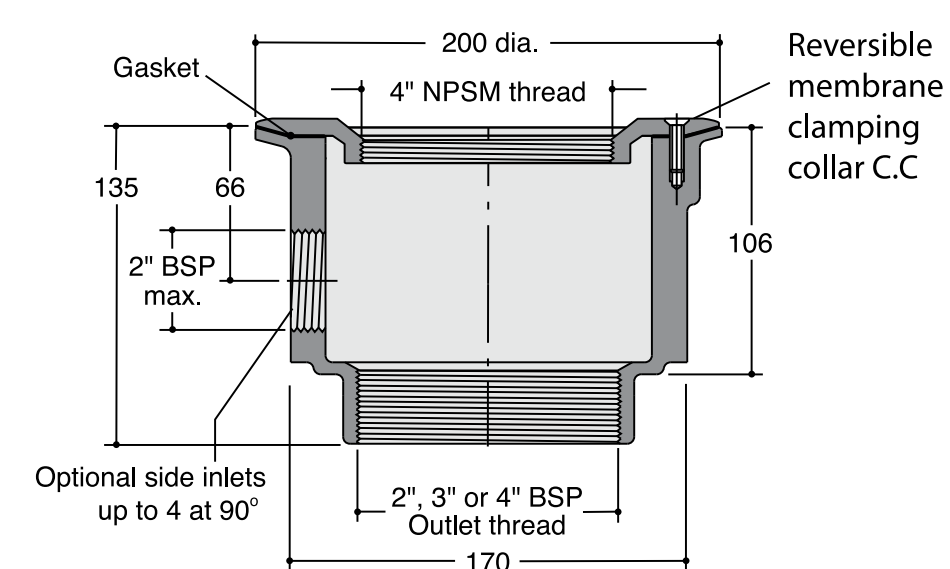
C3 Series Vertical Spigot Outlet - Shallow Sump

Outlet Size (mm)	Free Area (cm ²)	Weight (kg)	Spec Code	
			Collar	Body
82	44	3.1	C.C	C343
110	78	3.3	C.C	C344
90	44	3.4	C.C	C363
117	78	3.7	C.C	C364
87	44	3.3	C.C	C393



C5 Series Vertical Threaded Outlet - Deep Sump

Outlet Size (BSP)	Free Area (cm ²)	Weight (kg)	Spec Code	
			Collar	Body
2"	19	7.6	C.C	C502
3"	44	6.9	C.C	C503
4"	78	7.8	C.C	C504



Vari Level Bodies - non-trapped

D2 - D7 Series cast iron drain bodies have a threaded BSP outlet, in vertical, 45° and Horizontal configuration.

Key Features

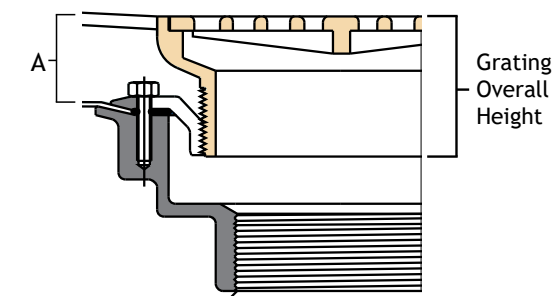
- Compatible with all Vari-Level Gratings and Rodding Eyes.
- Reversible membrane clamping collar for additional height adjustability.
- D4 Series Body allows for up to 4 side inlets, see page 29 to specify

Product Accessories

	Page
Gratings & Rodding Eyes	31
Extension Pieces	42
Pipe Adaptors	43
Filter Buckets, Traps & Bolt-on-Funnels	45

Technical - Did you know?

- The membrane clamping collar must be ordered separately. Use spec code C.D for standard 4" NPSM throat collar.
- Height adjustability is -30mm /+10mm
- Note: To calculate distance A (adjustability) apply the +/- dimension (above) to the overall grating height.
E.g. L2106 Grating has overall height of 57mm:
57mm - 30mm = Min 27mm
57mm + 10mm = Max 67mm..



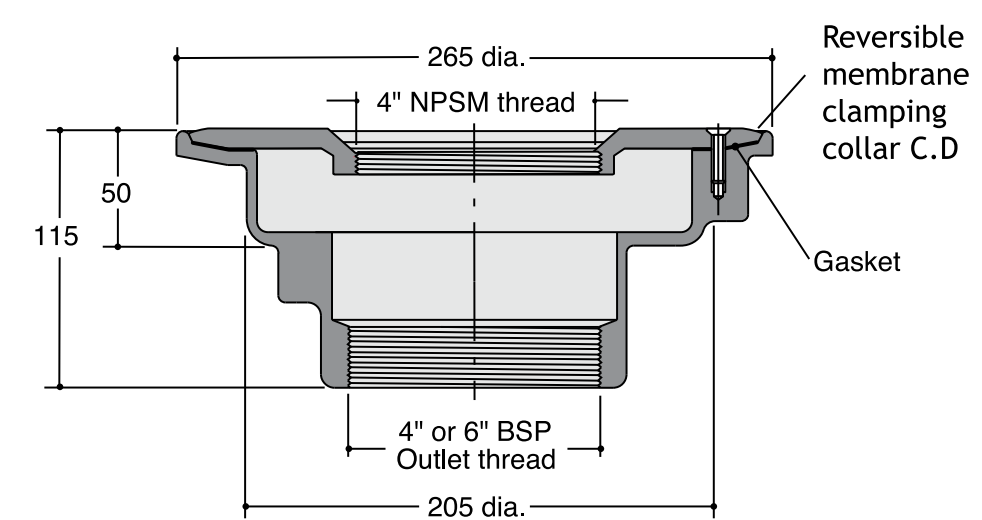
Optional Extras

W - add suffix 'W' to collar for weepholes eg C.CW



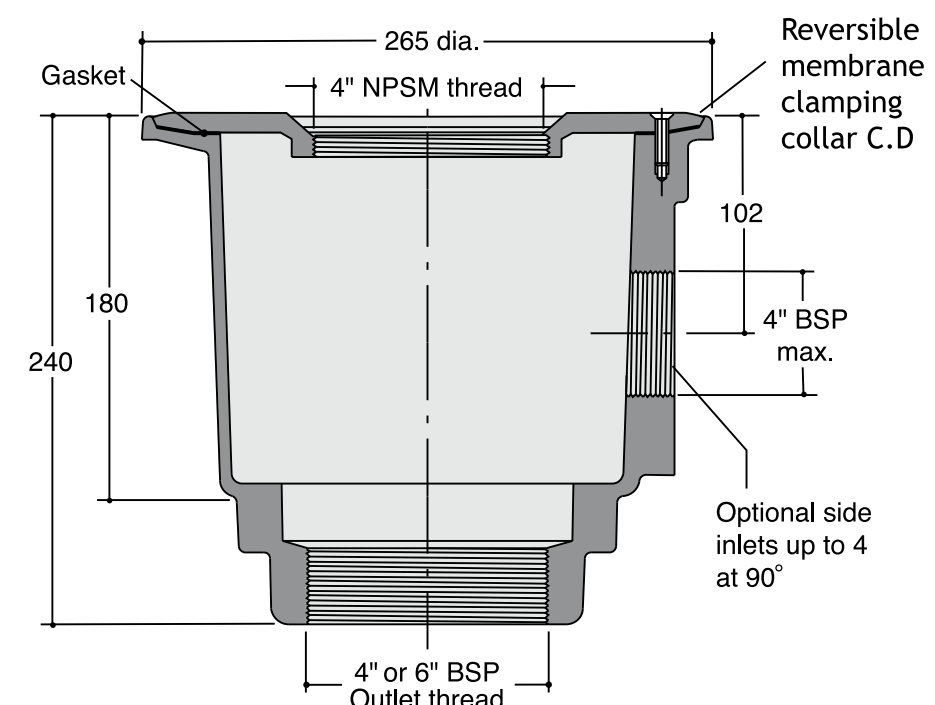
D2 Series Vertical Threaded Outlet - Shallow Sump

Outlet Size (BSP)	Free Area (cm ²)	Weight (kg)	Spec Code	
			Collar	Body
4"	78	7.2	C.D	D204
6"	176	6.9	C.D	D206



D4 Series Vertical Threaded Outlet - Deep Sump

Outlet Size (BSP)	Free Area (cm ²)	Weight (kg)	Spec Code	
			Collar	Body
4"	78	11.6	C.D	D404
6"	176	19.8	C.D	D406



Vari Level Bodies - non-trapped

D2 - D7 Series cast iron drain bodies have a threaded BSP outlet, in vertical, 45° and horizontal configuration.

Key Features

- Compatible with all Vari-Level Gratings and Rodding Eyes.
- Reversible membrane clamping collar for additional height adjustability.
- D4 Series Body allows for up to 4 side inlets, see page 29 to specify

Product Accessories

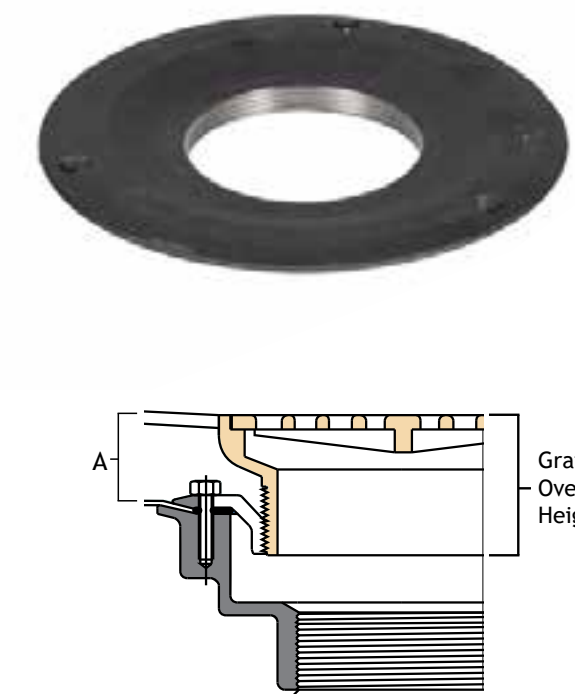
	Page
Gratings & Rodding Eyes	31
Extension Pieces	42
Pipe Adaptors	43
Filter Buckets, Traps & Bolt-on-Funnels	45

Technical - Did you know?

- The membrane clamping collar must be ordered separately. Use spec code C.D for standard 4" NPSM throat collar.
- Height adjustability is -30mm /+10mm
- Note: To calculate distance A (adjustability) apply the +/- dimension (above) to the overall grating height. E.g. L2106 Grating has overall height of 57mm:
57mm - 30mm = Min 27mm
57mm + 10mm = Max 67mm.

Optional Extras

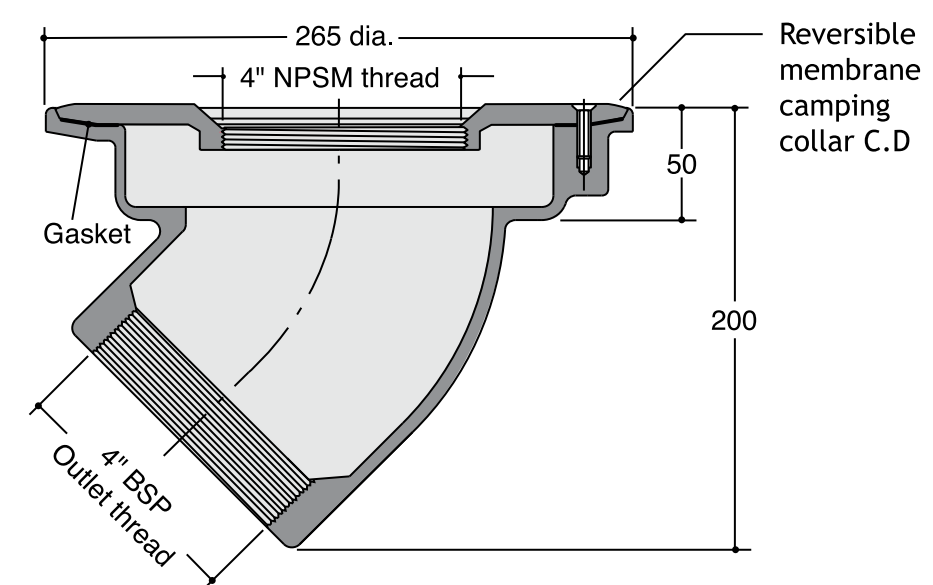
W - add suffix 'W' to collar for weepholes eg C.CW



D604 45° Threaded Outlet



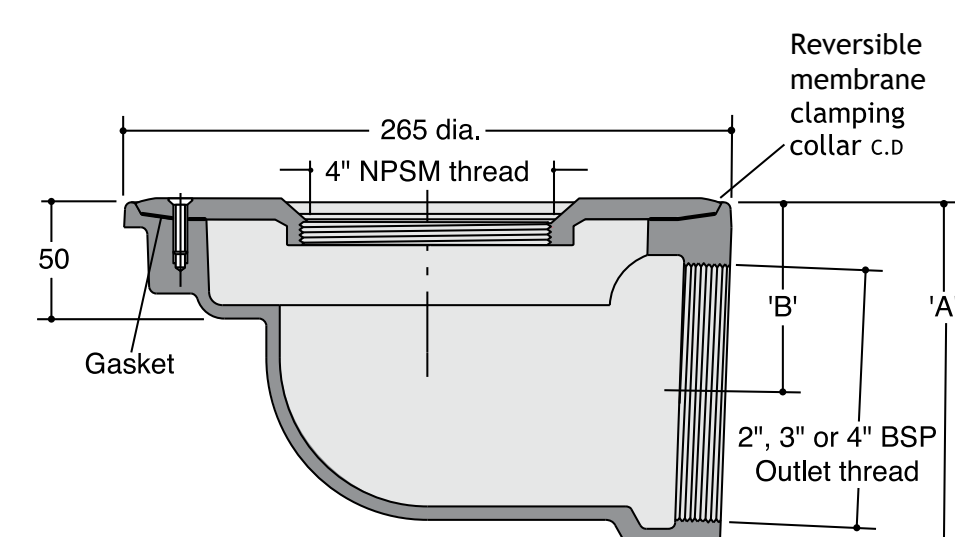
Outlet Size (BSP)	Free Area (cm2)	Weight (kg)	Spec Code	
			Collar	Body
4"	78	10.7	C.D	D604



D7 Series Horizontal Threaded Outlet - Shallow Sump



Outlet Size (BSP)	A (mm)	B (mm)	Free Area (cm2)	Weight (kg)	Spec Code	
					Collar	Body
2"	127	86	19	7	C.D	D702
3"	127	73	44	6.5	C.D	D703
4"	150	83	78	10	C.D	D704



Vari Level Bodies - non-trapped

B504 cast iron drain body offers a compact 45° outlet.

Key Features

- Compatible with all Vari-Level Gratings and Rodding Eyes.
- Optional membrane clamping collar.

Product Accessories

	Page
Gratings & Rodding Eyes	31
Extension Pieces	42
Pipe Adaptors	43
Filter Buckets, Traps & Bolt-on-Funnels	45

Technical - Did you know?

- B504 can be used without a membrane clamping collar.
- Height adjustability is **-15mm /+5mm**
- Note: To calculate distance A (adjustability) apply the -/+ dimension (above) to the overall grating height.
E.g. L2106 Grating has overall height of 57mm:
57mm - 15mm = **Min 42mm**
57mm + 5mm = **Max 62mm**.



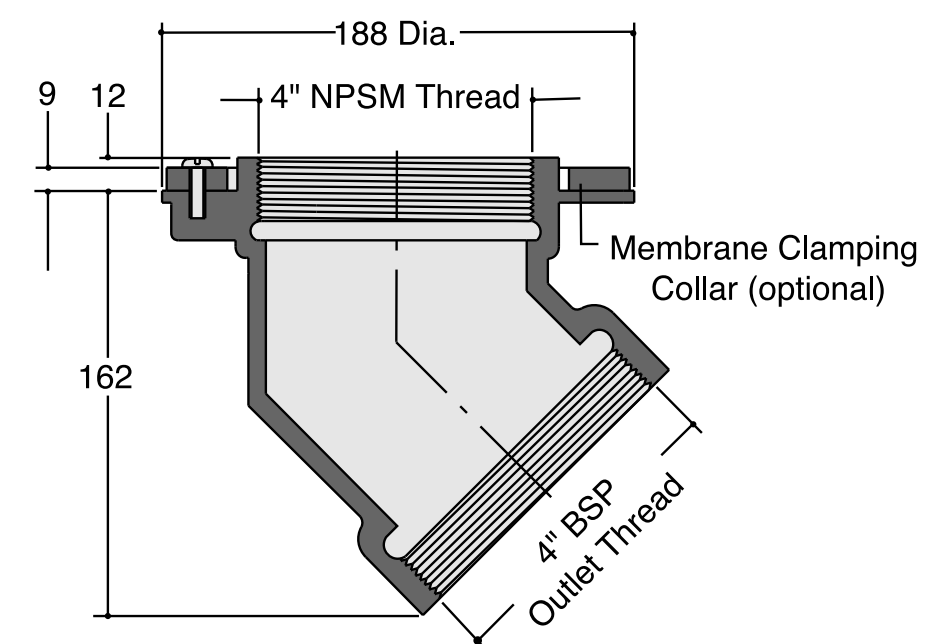
Optional Extras

C.B - for optional collar use spec code (C.B)

B504 45° Threaded Outlet



Outlet Size (BSP)	Free Area (cm ²)	Weight (kg)	Spec Code	
			Collar	Body
4"	78	3.5	C.B	B504



Vari Level Bodies - non-trapped

D10 - D12 series cast iron drain bodies provide a wide flange which can be set at structural slab level to accept damp proof membranes up to 30mm thickness.

Key Features

- Compatible with all Vari-Level Gratings and Rodding Eyes.
- Membrane clamping collar allows for up to 30mm thickness of damp proof membrane.
- Suitable for use with Asphalt.

Product Accessories

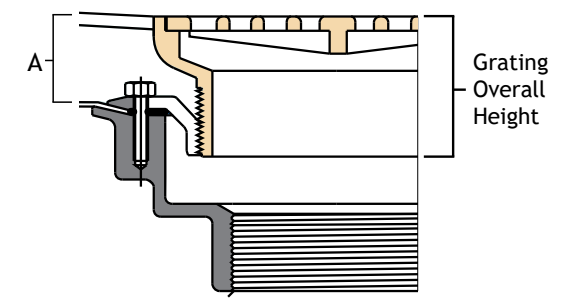
	Page
Gratings & Rodding Eyes	31
Extension Pieces	42
Pipe Adaptors	43
Filter Buckets, Traps & Bolt-on-Funnels	45

Technical - Did you know?

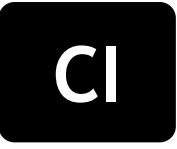
- The membrane clamping collar must be ordered separately. Use spec code C.D10 for standard 4" NPSM throat collar
- Height adjustability is **-20mm /+0mm**
- Note: To calculate distance A (adjustability) apply the -/+ dimension (above) to the overall grating height.
E.g. L2106 Grating has overall height of 57mm:
57mm - 20mm = **Min 37mm**
57mm + 0mm = **Max 57mm**.

Optional Extras

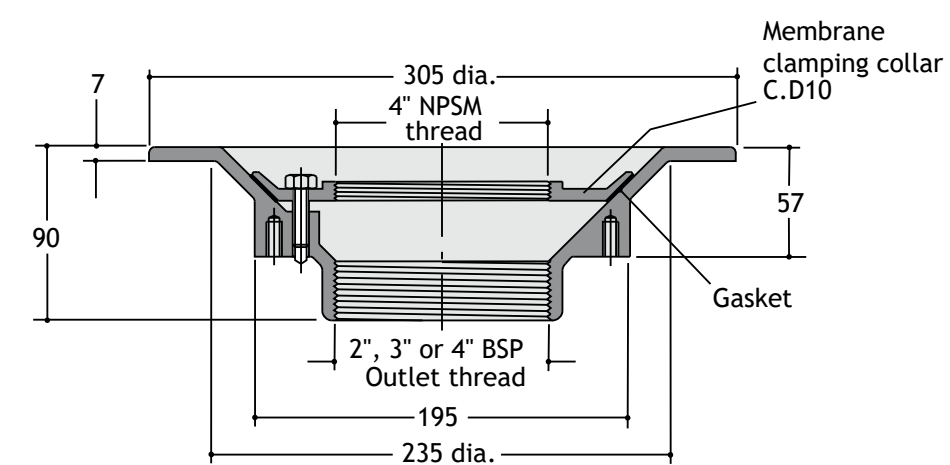
W - add suffix 'W' to collar for weepholes eg C.CW



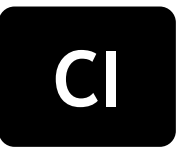
D10 Series Vertical Threaded Outlet - Shallow Sump



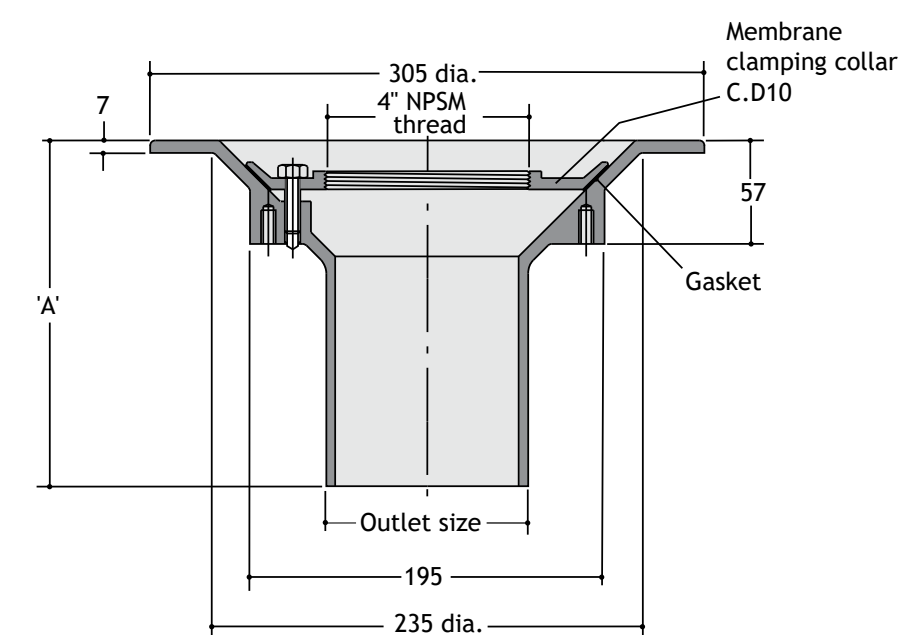
Outlet Size (BSP)	Free Area (cm ²)	Weight (kg)	Spec Code	
			Collar	Body
2"	19	5	C.D10	D1002
3"	44	4.3	C.D10	D1003
4"	78	3.3	C.D10	D1004



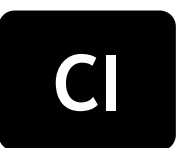
D11 Series Vertical Spigot Outlet - Shallow Sump



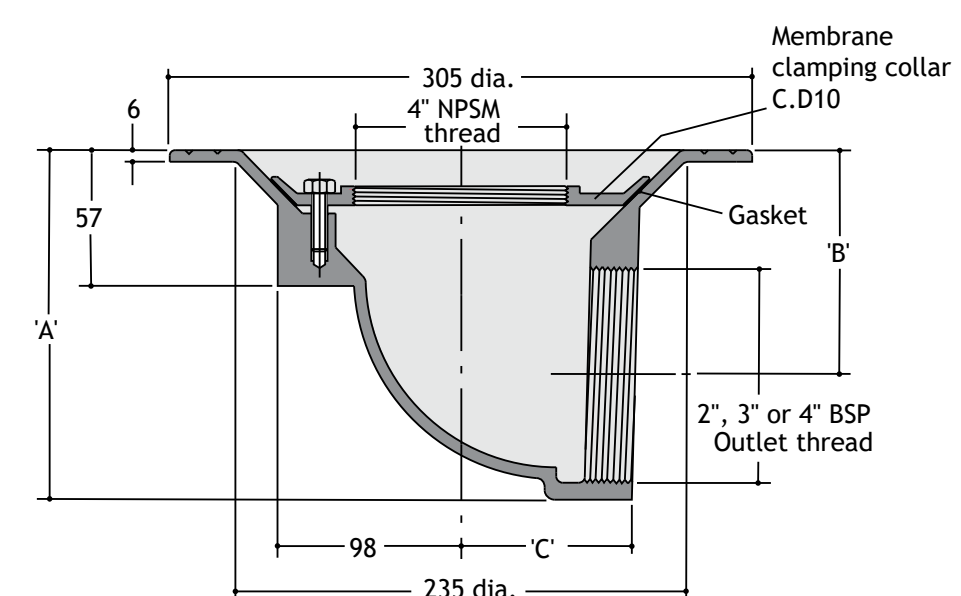
Outlet Size (mm)	Free Area (cm ²)	A (mm)	Weight (kg)	Spec Code	
				Collar	Body
60	19	238	4.2	C.D10	D1107
87	44	165	3.7	C.D10	D1108
112	78	190	8.7	C.D10	D1109



D12 Series Horizontal Threaded Outlet - Shallow Sump



Outlet Size (BSP)	Free Area (cm ²)	A (mm)	B (mm)	C (mm)	Weight (kg)	Spec Code	
						Collar	Body
2"	19	119	80.5	143	6.5	C.D10	D1207
3"	44	119	67.5	143	6.7	C.D10	D1208
4"	78	183	117	91	6.5	C.D10	D1209



Vari Level Bodies - non-trapped

SD10 - SD30 series cast iron drain bodies can be used for sub-surface drainage such as with cavity membranes.

Key Features

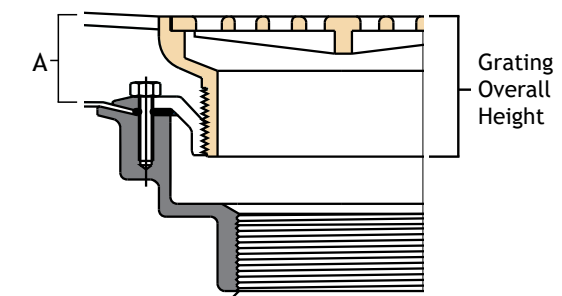
- Compatible with all Vari-Level Gratings and Rodding Eyes.
- Can accommodate up to 30mm thickness of membrane.
- Height rotating collar provides additional adjustability.

Product Accessories

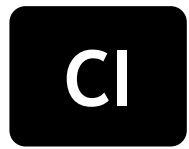
	Page
Gratings & Rodding Eyes	31
Extension Pieces	42
Pipe Adaptors	43
Filter Buckets, Traps & Bolt-on-Funnels	45

Technical - Did you know?

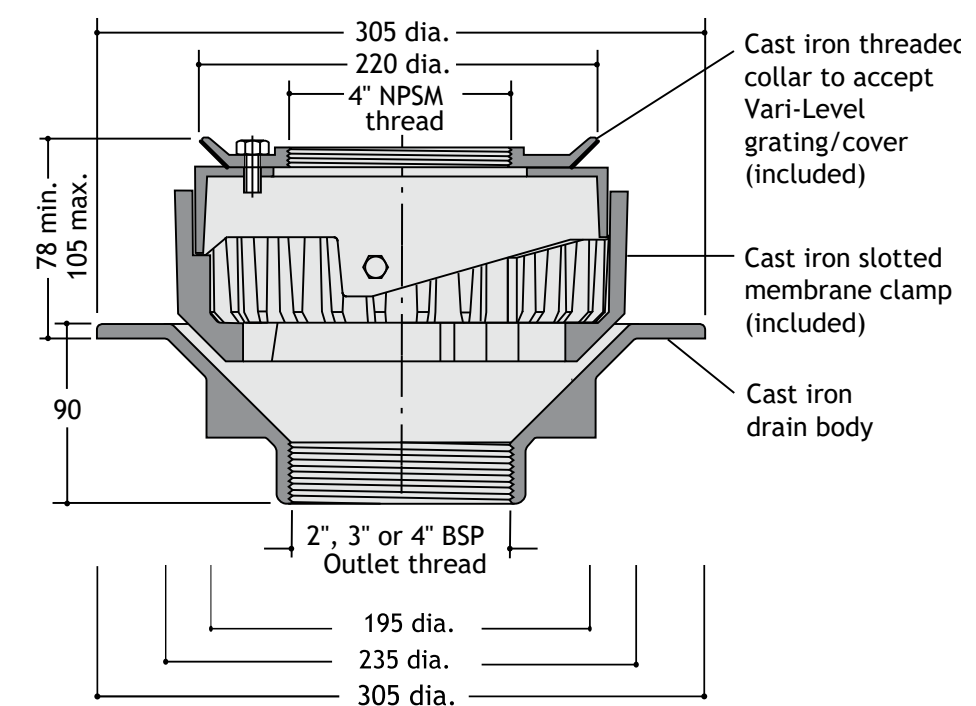
- The included cast iron slotted membrane clamping collar provides sub-surface drainage where insulation is.
- Height adjustability is -10mm /-30mm
- Note: To calculate distance A (adjustability) apply the +/- dimension (above) to the overall grating height.
E.g. L2106 Grating has overall height of 57mm:
57mm - 10mm = **Max 47mm**
57mm - 30mm = **Min 27mm**.



SD10 Series Vertical Threaded Outlet - Shallow Sump



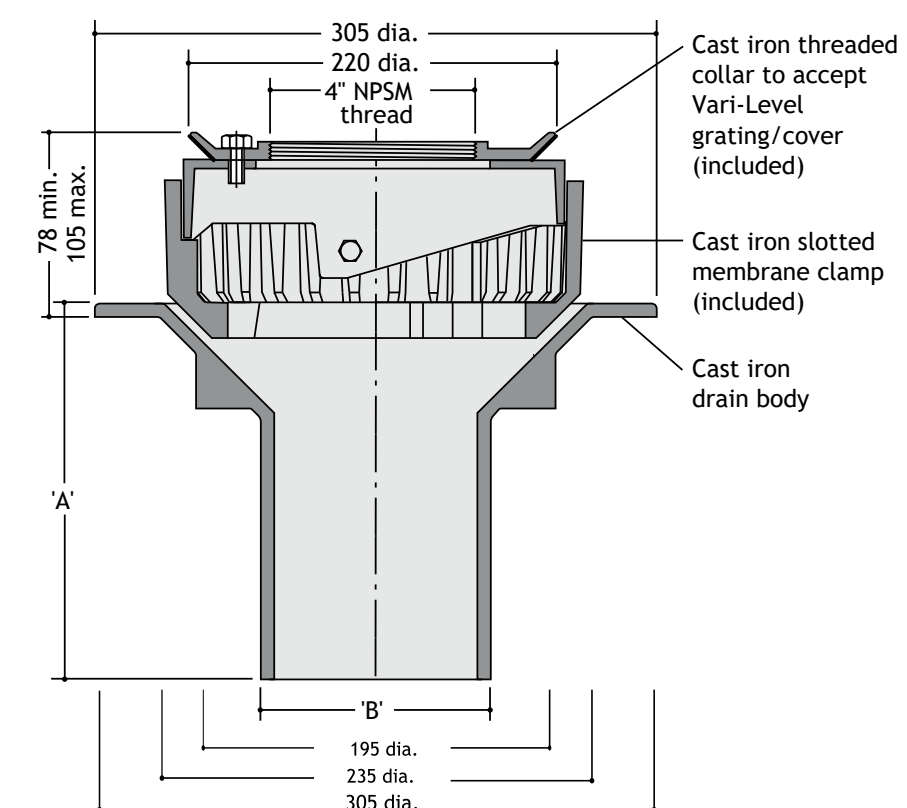
Outlet Size (BSP)	Free Area (cm ²)	Weight (kg)	Spec Code
2"	19	11.8	SD102
3"	44	10.8	SD103
4"	78	10.2	SD104



SD20 Series Vertical Spigot Outlet - Shallow Sump



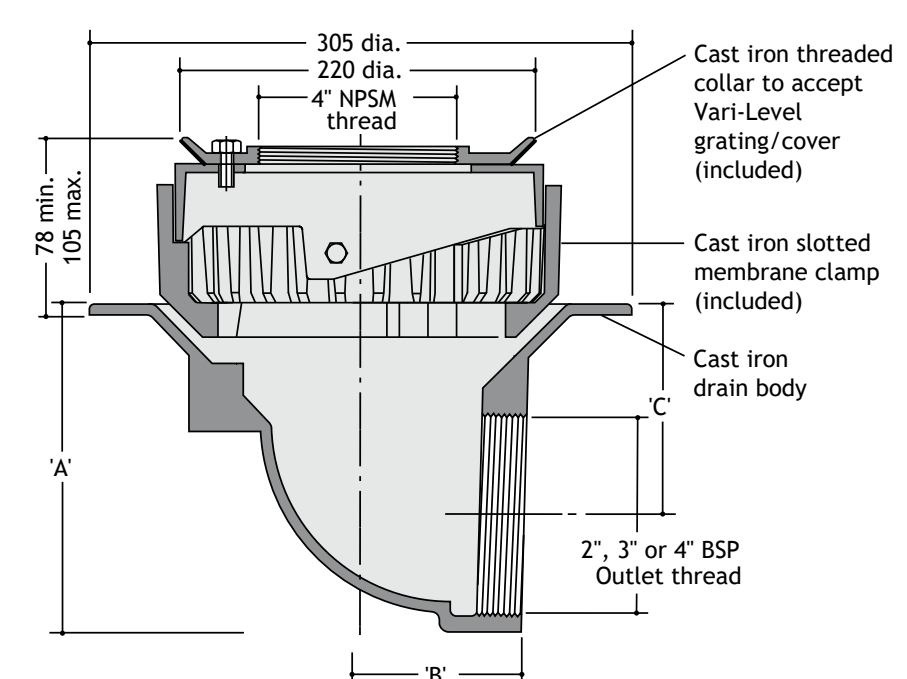
Outlet Size (mm)	Free Area (cm ²)	A (mm)	B (mm)	Weight (kg)	Spec Code
60	19	238	60	10	SD202
87	44	165	87	11.6	SD203
112	78	190	111	11.4	SD204



SD30 Series Horizontal Threaded Outlet - Shallow Sump



Outlet Size (BSP)	Free Area (cm ²)	A (mm)	B (mm)	C (mm)	Weight (kg)	Spec Code	
						Collar	Body
2"	19	119	145	80	12.9	C.D10	SD302
3"	44	119	145	67	12.3	C.D10	SD303
4"	78	183	90	117	14.1	C.D10	SD304



Vari Level Bodies - non-trapped

SD40 - SD60 series cast iron drain bodies can be used for sub-surface drainage such as with cavity membranes, where the waterproof is below the insulation.

Key Features

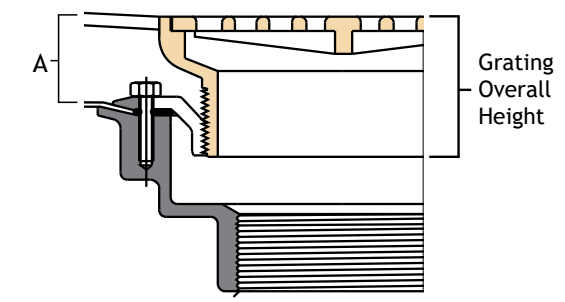
- Compatible with all Vari-Level Gratings and Rodding Eyes.
- Additional cast iron extension flange, typically for extension through insulation.
- Height rotating collar provides additional adjustability.
- Can accommodate up to 30mm thickness of membrane.

Product Accessories

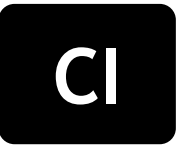
	Page
Gratings & Rodding Eyes	31
Extension Pieces	42
Pipe Adaptors	43

Technical - Did you know?

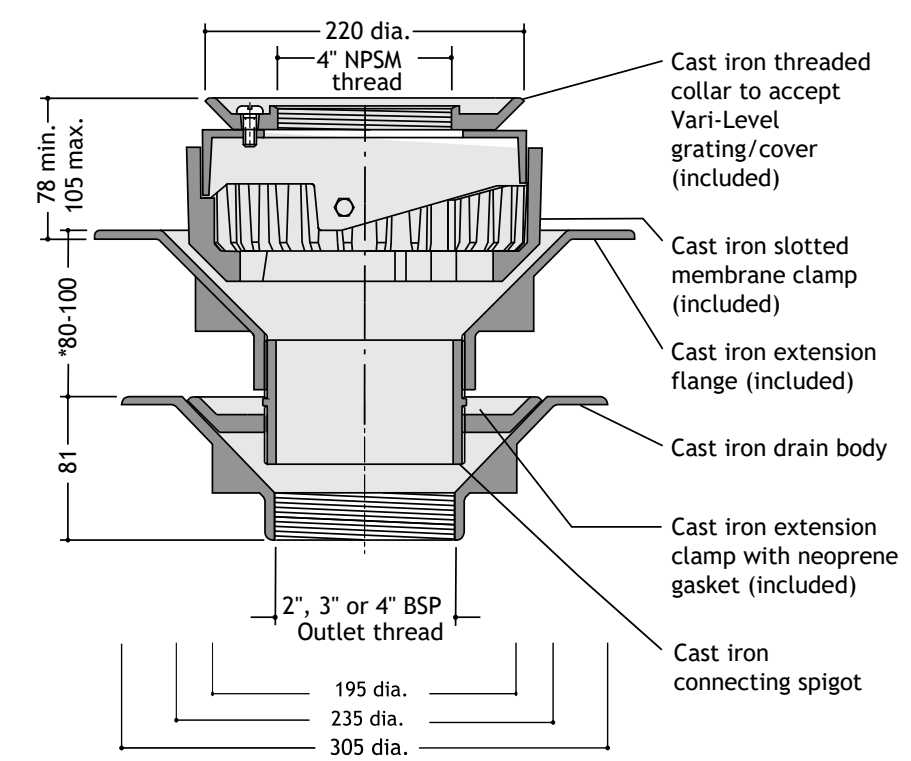
- The cast iron slotted membrane clamping collar provides additional sub-surface drainage where insulation is used above the waterproofing
- Suitable for 80-100mm insulation, Custom size from 45mm upwards - please specify the insulation thickness on purchase
- Height adjustability is **-10mm /-30mm**
- Note: To calculate distance A (adjustability) apply the +/- dimension (above) to the overall grating height.
E.g. L2106 Grating has overall height of 57mm:
57mm - 10mm = **Max 47mm**
57mm - 30mm = **Min 27mm.**



SD40 Series Vertical Threaded Outlet - Shallow Sump



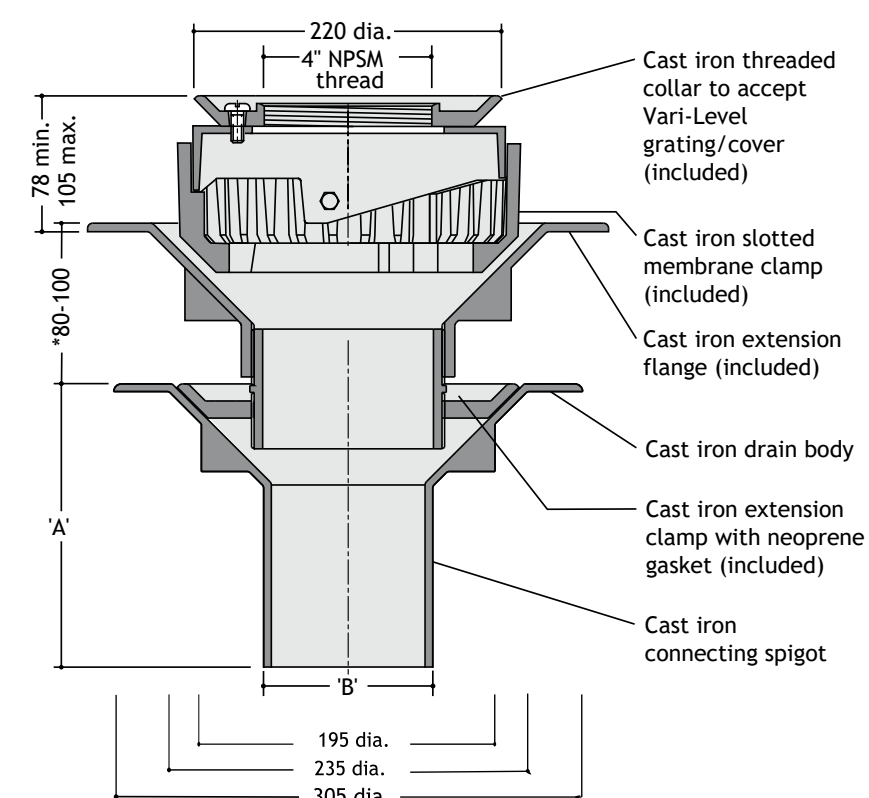
Outlet Size (BSP)	Free Area (cm ²)	Weight (kg)	Spec Code
2"	19	17.6	SD402
3"	44	16.6	SD403
4"	78	16.0	SD404



SD50 Series Vertical Spigot Outlet - Shallow Sump



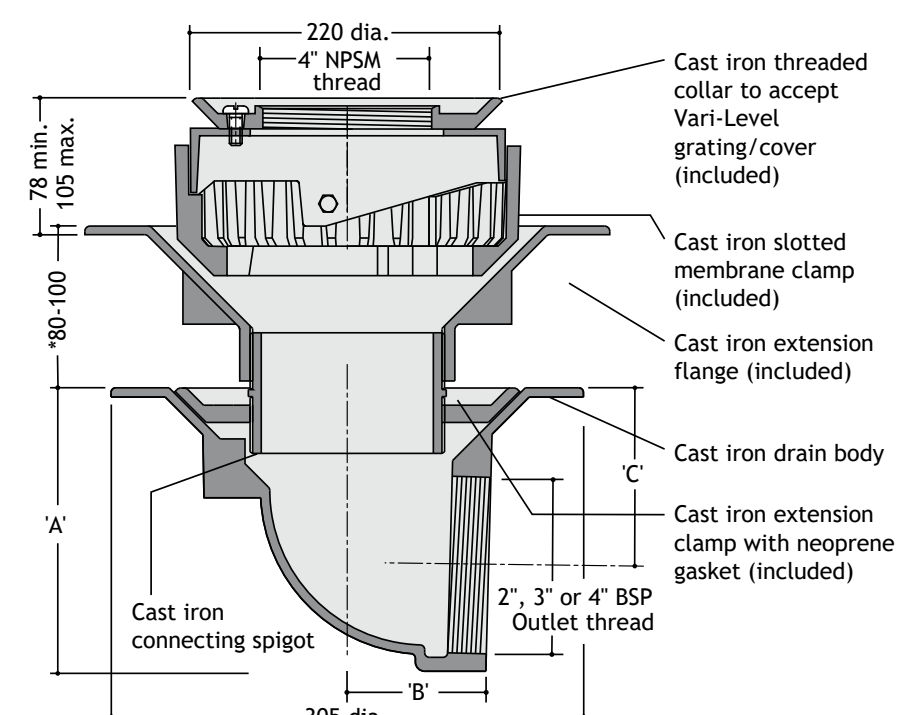
Outlet Size (mm)	Free Area (cm ²)	A (mm)	B (mm)	Weight (kg)	Spec Code
60	19	238	60	17.0	SD502
87	44	165	87	17.4	SD503
112	78	190	111	17.2	SD504



SD60 Series Horizontal Threaded Outlet - Shallow Sump



Outlet Size (BSP)	Free Area (cm ²)	A (mm)	B (mm)	C (mm)	Weight (kg)	Spec Code
2"	19	119	145	80	18.7	SD602
3"	44	119	145	67	18.1	SD603
4"	78	183	90	117	19.9	SD604



Vari Level Bodies - p-trapped

G2 - G3 Series cast iron drain bodies offer a compact 50mm P-Trap solution.

Key Features

- Compatible with all Vari-Level Gratings and Rodding Eyes.
- Optional membrane clamping collar. Including flanges for Asphalt and Timber Deck application.
- Body allows for up to 3 optional side inlets, see page 29 to specify

Product Accessories

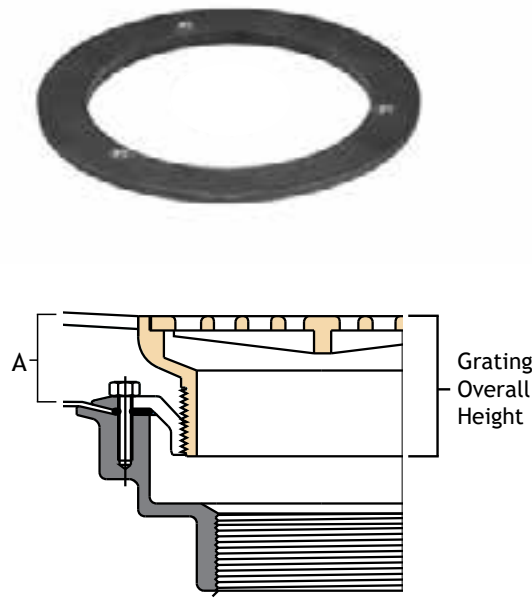
Product Accessories	Page
Gratings & Rodding Eyes	31
Extension Pieces	42
Pipe Adaptors	43
Filter Buckets & Bolt-on-Funnels	45
Asphalt & Timber deck accessories	46

Technical - Did you know?

- Can be used without a membrane clamping collar, if required, it can be ordered separately.
- For Asphalt or Timber Deck application please see page 44 for U15 and U16 accessories.
- Height adjustability is **-10mm /-30mm**
- Note: To calculate distance A (adjustability) apply the +/- dimension (above) to the overall grating height.
E.g. L2106 Grating has overall height of 57mm:
57mm - 10mm = **Max 47mm**
57mm - 30mm = **Min 27mm**.

Optional Extras

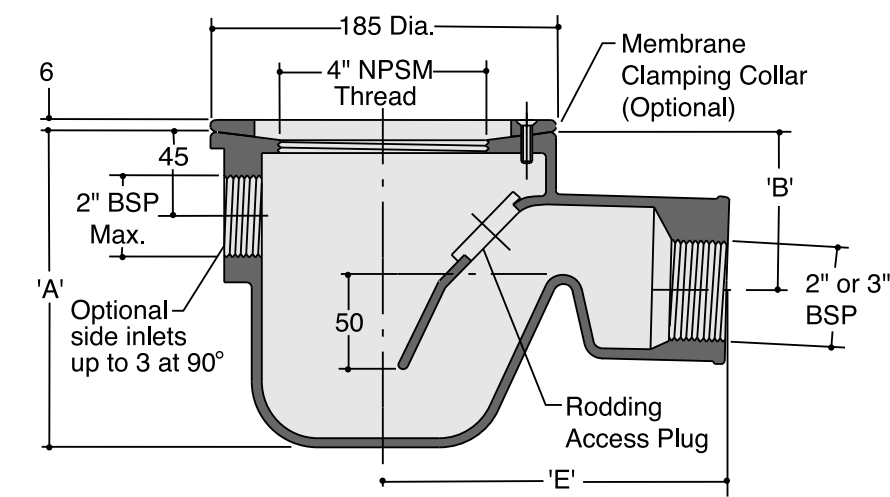
C - for optional collar use suffix 'C' to the spec code



G2 Series Horizontal Threaded Outlet - 50mm seal



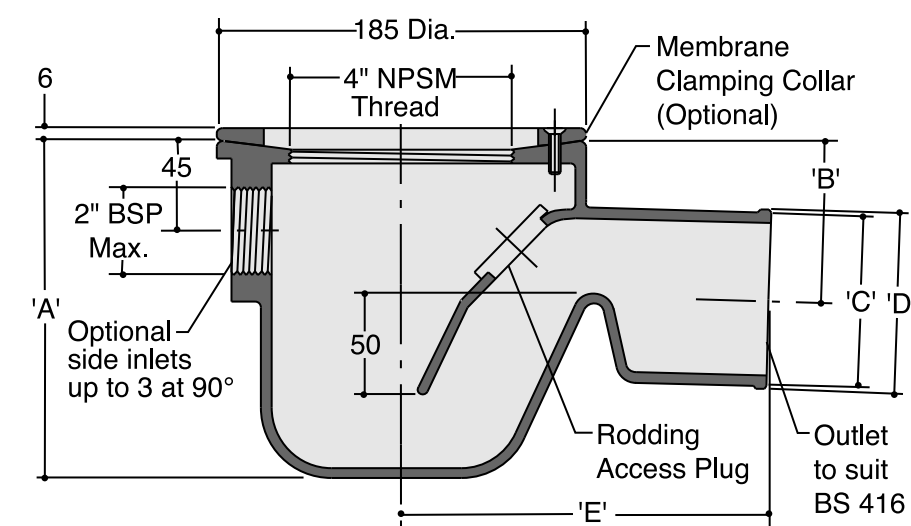
Outlet Size (BSP)	Free Area (cm2)	A (mm)	B (mm)	E (mm)	Weight (kg)	Spec Code
2"	19	170	85	185	8.3	G202
3"	44	205	95	190	9.9	G203



G3 Series Horizontal Threaded Outlet - 50mm seal



Outlet Size (mm)	Free Area (cm2)	A (mm)	B (mm)	C (mm)	D (mm)	E (mm)	Weight (kg)	Spec Code
89	44	170	80	87	89	185	7.8	G303
112	78	205	92	112	112	190	9.6	G304



Vari Level Bodies - s-trapped

G5, G6 and G1014 cast iron drain bodies offer a compact 50mm S-Trap solution.

Key Features

- Compatible with all Vari-Level Gratings and Rodding Eyes.
- Optional membrane clamping collar. Including flanges for Ashpalt and Timber Deck application.
- Body allows for up to 3 side inlets, see page 29 to specify

Product Accessories

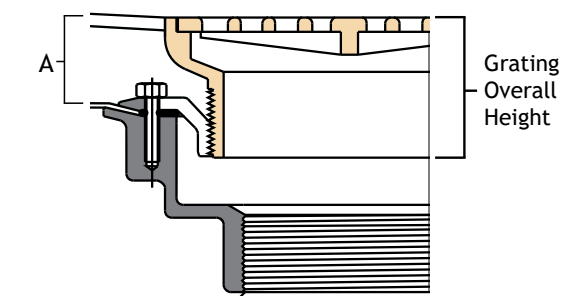
	Page
Gratings & Rodding Eyes	31
Extension Pieces	42
Pipe Adaptors	43
Filter Buckets & Bolt-on-Funnels	45

Technical - Did you know?

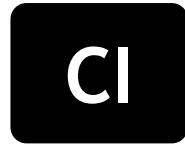
- Can be used without a membrane clamping collar, if required, it can be ordered separately
- For Ashpalt or Timer Deck application please see page 44 for U15 and U16 accessories.
- Height adjustability is **-30mm /+10mm**
- Note: To calculate distance A (adjustability) apply the -/+ dimension (above) to the overall grating height.
E.g. L2106 Grating has overall height of 57mm:
57mm - 30mm = **Min 27mm**
57mm + 10mm = **Max 67mm.**

Optional Extras

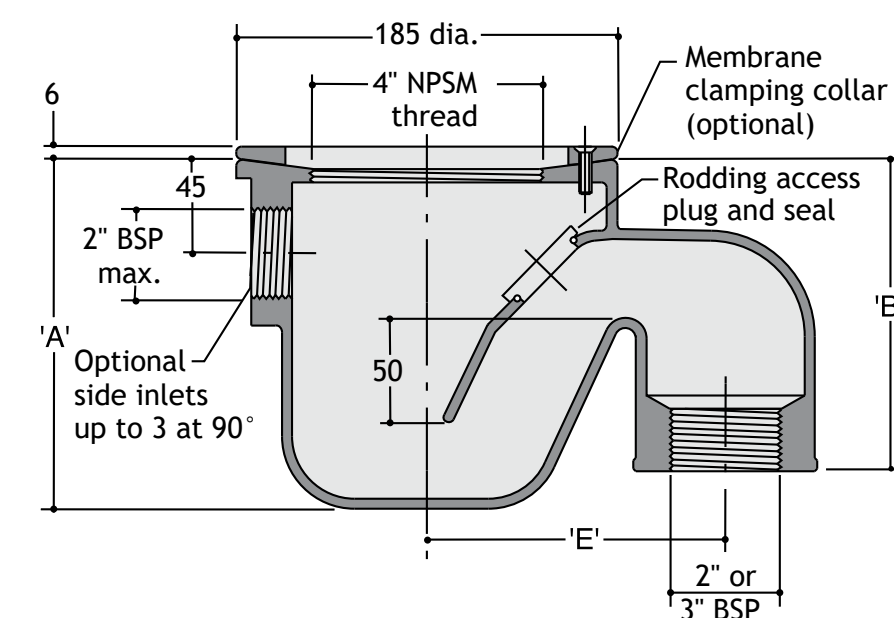
C - for optional collar use suffix 'C' to the spec code
W - add suffix 'W' to collar for weepholes eg C.CW



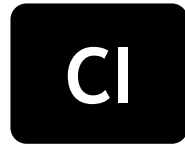
G5 Series Vertical Spigot Outlet - 50mm Seal



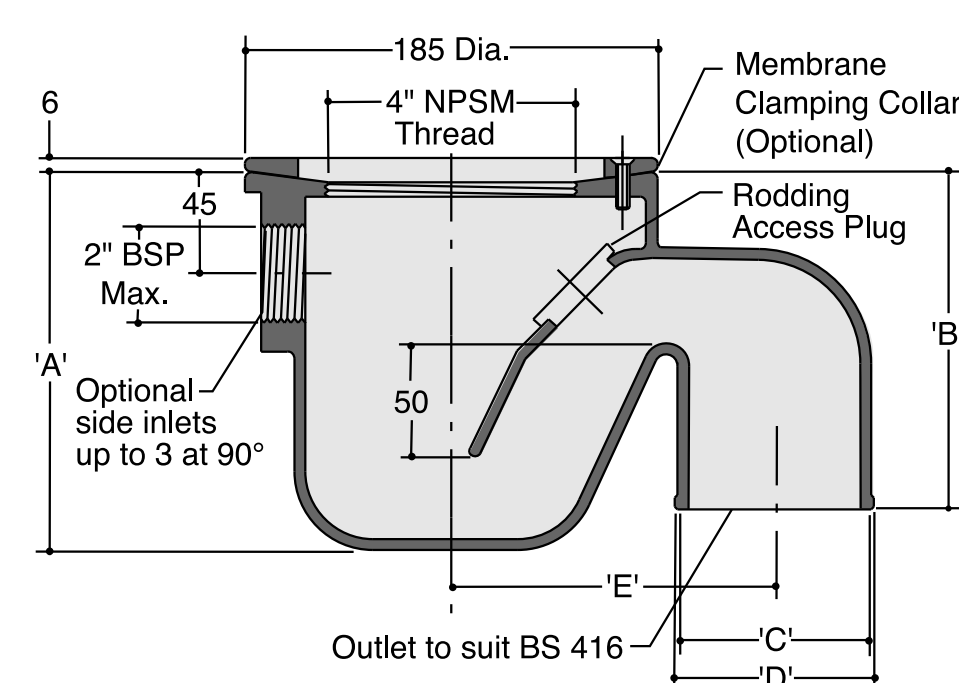
Outlet Size (")	Free Area (cm ²)	A (mm)	B (mm)	E (mm)	Weight (kg)	Spec Code
2"	19	170	150	145	8.8	G502
3"	44	205	165	156	10.6	G503



G6 Series Vertical Spigot Outlet - 50mm Seal



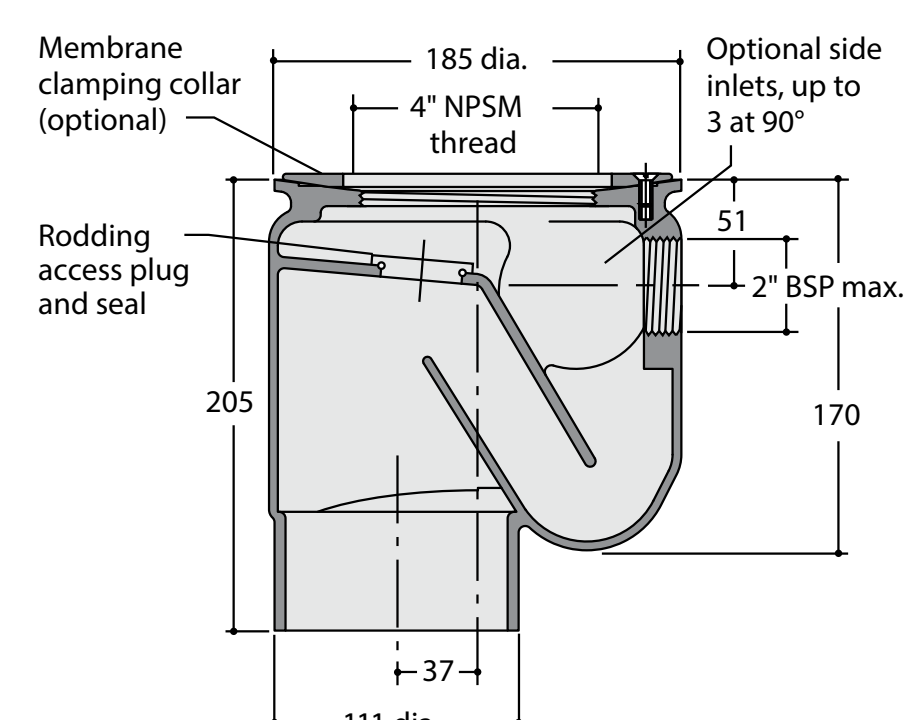
Outlet Size (mm)	Free Area (cm ²)	A (mm)	B (mm)	C (mm)	D (mm)	E (mm)	Weight (kg)	Spec Code
89	44	170	150	87	89	145	8.5	G603
112	78	205	165	112	112	155	11.0	G604



G1014 Vertical Spigot Outlet - 50mm Seal



Outlet Size (mm)	Free Area (cm ²)	Weight (kg)	Spec Code
111	64	9.0	G1014



Vari Level Bodies - trapped

GC144 and GD series cast iron drain bodies offer 50mm with full bore access to pipework. Compatible with concrete screed build-up.

Key Features

- Compatible with most Vari-Level Gratings and Rodding Eyes.
- Reversible membrane clamping collar for additional height adjustability.
- Full access to pipework via removable trap.
- Body allows for up to 4 side inlets, see page 29 to specify

Product Accessories

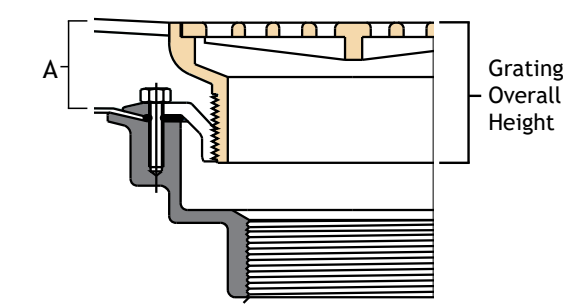
	Page
Gratings & Rodding Eyes	31
Extension Pieces	42
Pipe Adaptors	43
Filter Buckets & Bolt-on-Funnels	45

Technical - Did you know?

- The membrane clamping collar must be ordered separately.
- Height adjustability GC144 is **-30mm /+15mm**
- Height adjustability GD Series is **-30mm /+10mm**
- Note: To calculate distance A (adjustability) apply the +/- dimension (above) to the overall grating height.
E.g. L2106 Grating has overall height of 57mm:
57mm - 30mm = **Min 27mm**
57mm + 10mm = **Max 67mm.**

Optional Extras

- C.C - Use spec code C.C for GC144.
- C.D - Use spec code C.D for GD series.
- W - add suffix 'W' to collar for weepholes eg C.CW



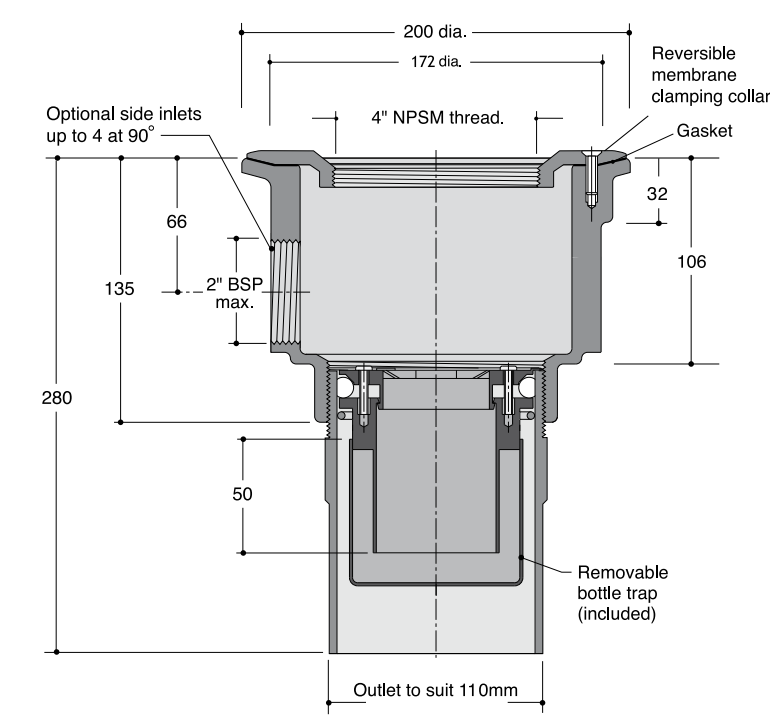
GC144 Vertical Spigot Outlet, Plastic Bottle Trap - 50mm Seal



Outlet Size (mm)	Free Area (cm2)	Weight (kg)	Spec Code	
			Collar	Body
110	20	11.1	C.C	GC144

Note:

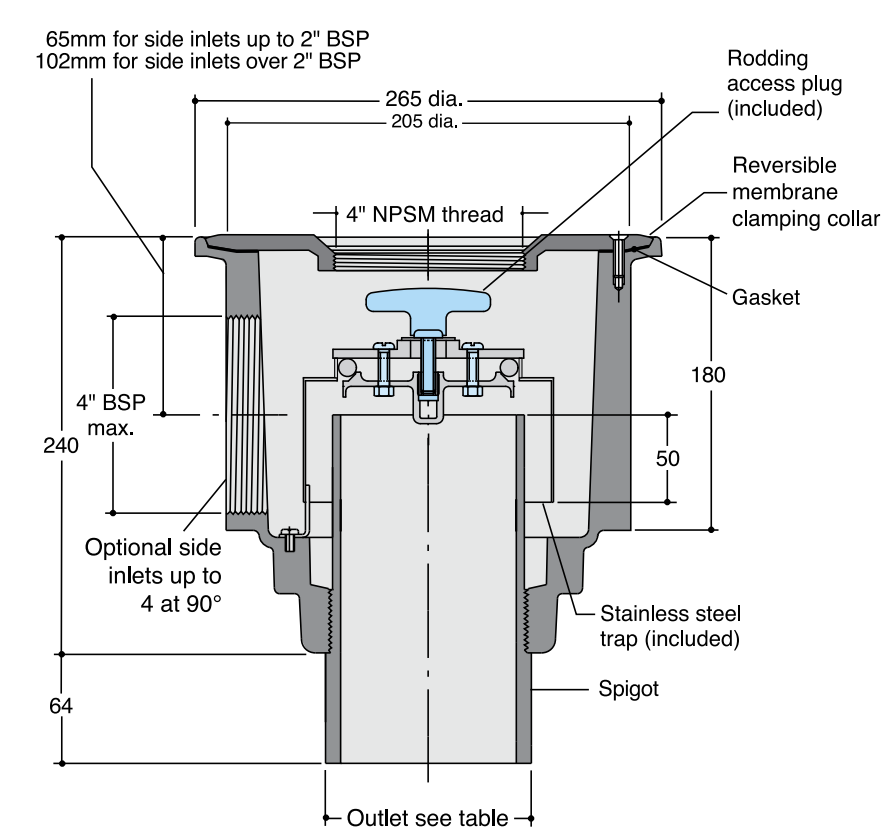
- This body assembly is designed for low volume drainage applications (max. flow rate of 1 l/s).
- Frequent cleaning of the bottle trap will be necessary in applications where very high amounts of hair and other waste materials are present



GD Series Vertical Spigot Outlet, SS Bell Trap - 50mm Seal



Outlet Size (mm)	Free Area (cm2)	Weight (kg)	Spec Code	
			Collar	Body
110	78	17.3	C.D	GD144
117	78	17.3	C.D	GD164



Vari Level Bodies - p-trapped

H2 and J204 cast iron drain bodies provide a 100mm P-Trap solution.

Key Features

- Compatible with all Vari-Level Gratings and Rodding Eyes.
- Optional membrane clamping collar.
- Body allows for up to 3 side inlets, see page 29 to specify

Product Accessories

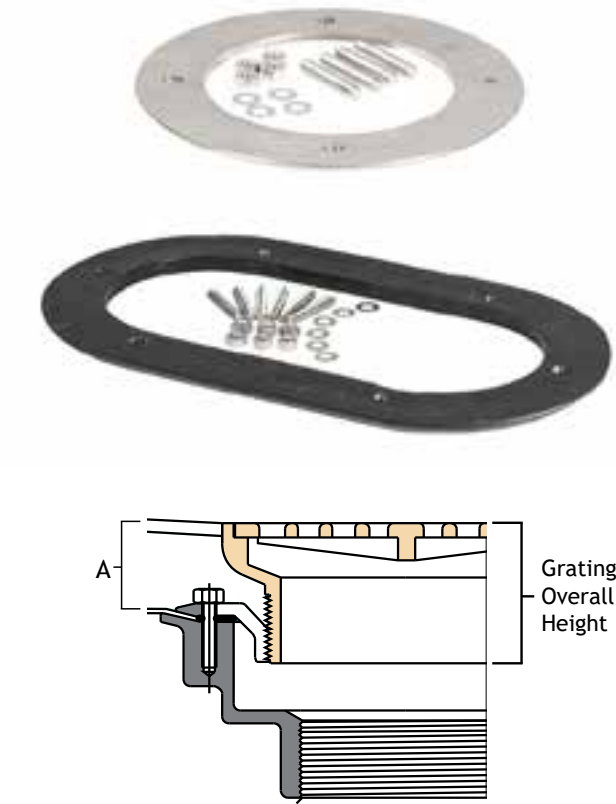
	Page
Gratings & Rodding Eyes	31
Extension Pieces	42
Pipe Adaptors	43
Filter Buckets & Bolt-on-Funnels	45

Technical - Did you know?

- Can be used without a membrane clamping collar, if required, it can be ordered separately.
- Height adjustability is **-10mm /+10mm**
- Note: To calculate distance A (adjustability) apply the -/+ dimension (above) to the overall grating height.
E.g. L2106 Grating has overall height of 57mm:
57mm - 10mm = **Min 47mm**
57mm + 10mm = **Max 67mm**.

Optional Extras

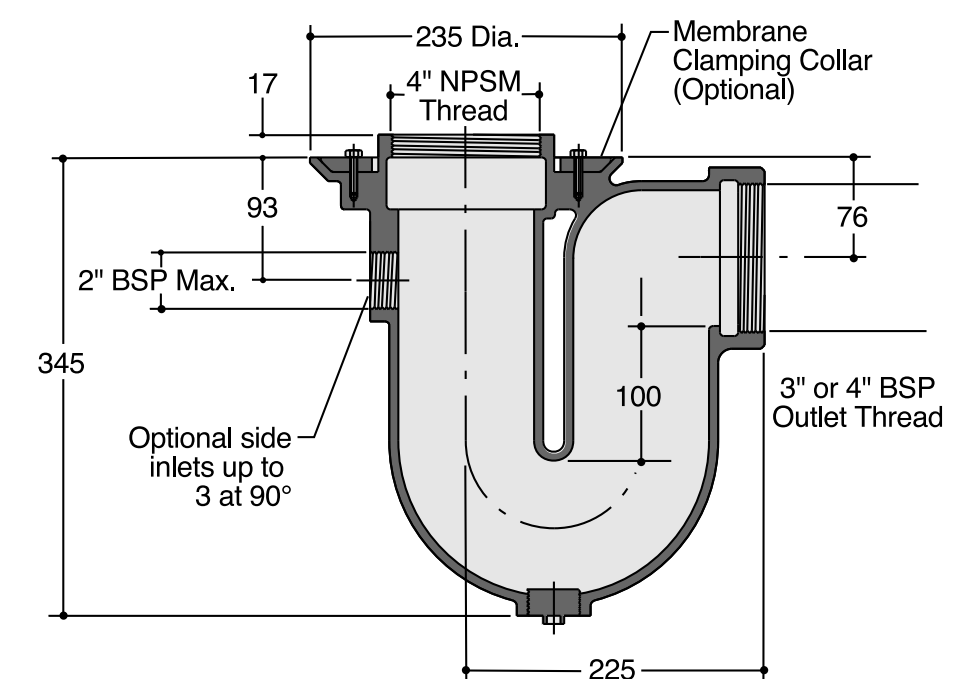
- C.H2** - Use spec code C.H2 for H2 Series
- C.J2** - Use spec code C.J2 for J204



H2 Series Horizontal Threaded Outlet - 100mm seal



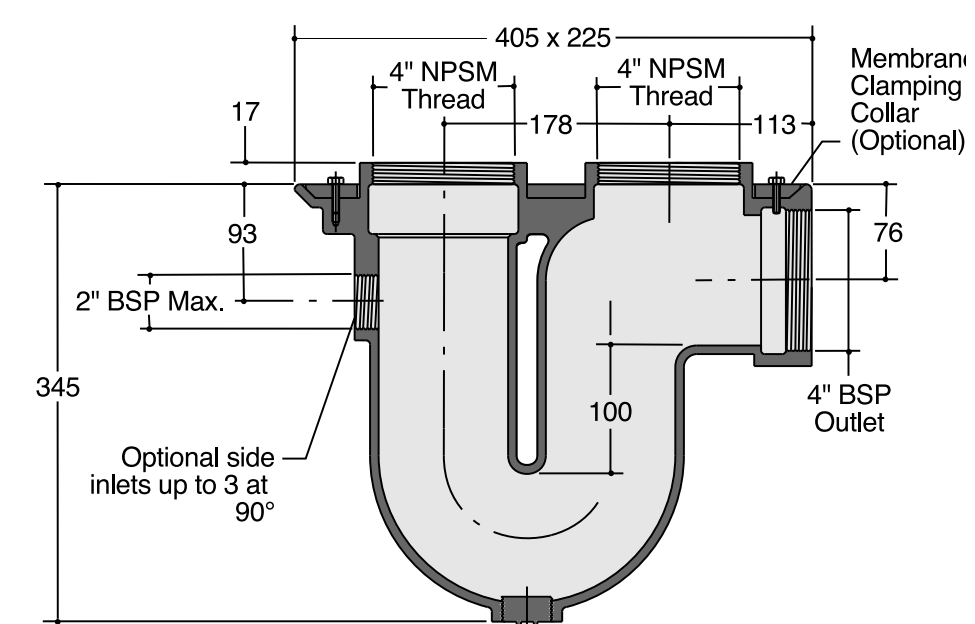
Outlet Size (BSP)	Free Area (cm ²)	Weight (kg)	Spec Code
3"	44	17.4	H203
4"	78	16.4	H204



J204 Horizontal Threaded Outlet - 100mm seal



Outlet Size (BSP)	Free Area (cm ²)	Weight (kg)	Spec Code
4"	78	19.7	J204



Note:

- The close proximity of grating and rodding eye prevents the adjacent use of the widest versions.
- The inlet closest to the outlet is not trapped; select sealed rodding eyes only and ensure that the access cover is installed closest to the outlet.

Vari Level Bodies - trapped

QG114 and QG214 stainless steel drain bodies are generally suitable for use in high specification applications e.g. Hygienic environments or where high corrosion resistance is necessary.

Key Features

- Compatible with all Vari-Level Gratings and Rodding Eyes.
- Grade 304 SS drain bodies with optional Grade 316 available on request.
- Body allows for up to 4 (max 3 on QG214) side inlets, see page 29 to specify

Product Accessories

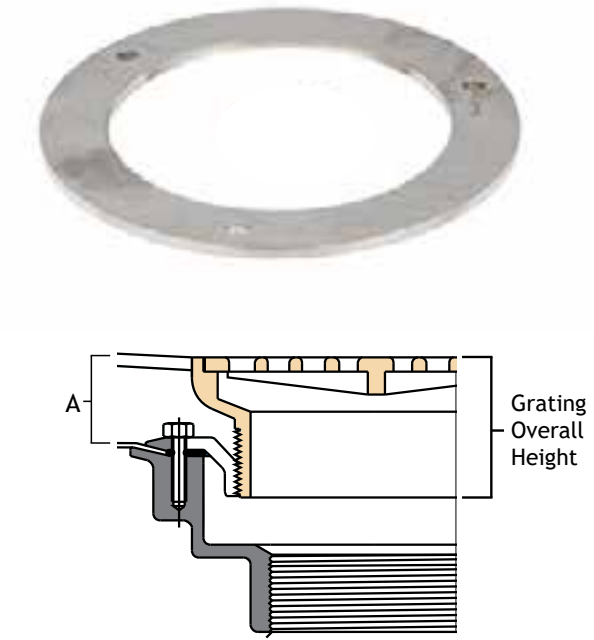
	Page
Gratings & Rodding Eyes	31
Extension Pieces	42
Pipe Adaptors	43
Filter Buckets & Bolt-on-Funnels	45

Technical - Did you know?

- Can be used without a membrane clamping collar, if required, it can be ordered separately - see below.
- Height adjustability is **-30mm +/-10mm**
- Note: To calculate distance A (adjustability) apply the +/- dimension (above) to the overall grating height.
E.g. L2106 Grating has overall height of 57mm:
57mm - 30mm = **Min 27mm**
57mm - 10mm = **Max 47mm.**

Optional Extras

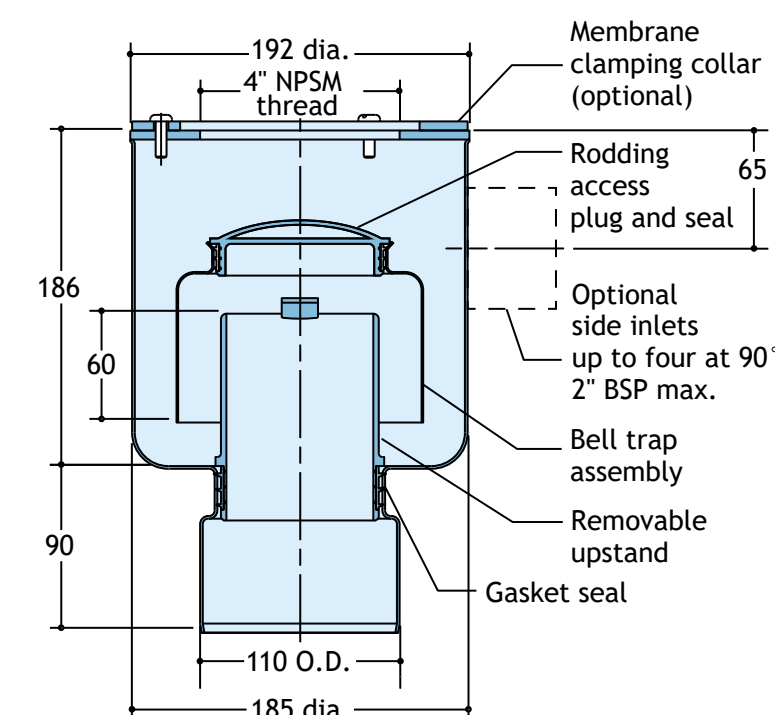
- M - For Grade 316 add suffix 'M' to the code
- C - For clamping collar add Suffix 'C' to the spec code.



QG114 Vertical Outlet - Bell Trapped - 60mm Seal

SS

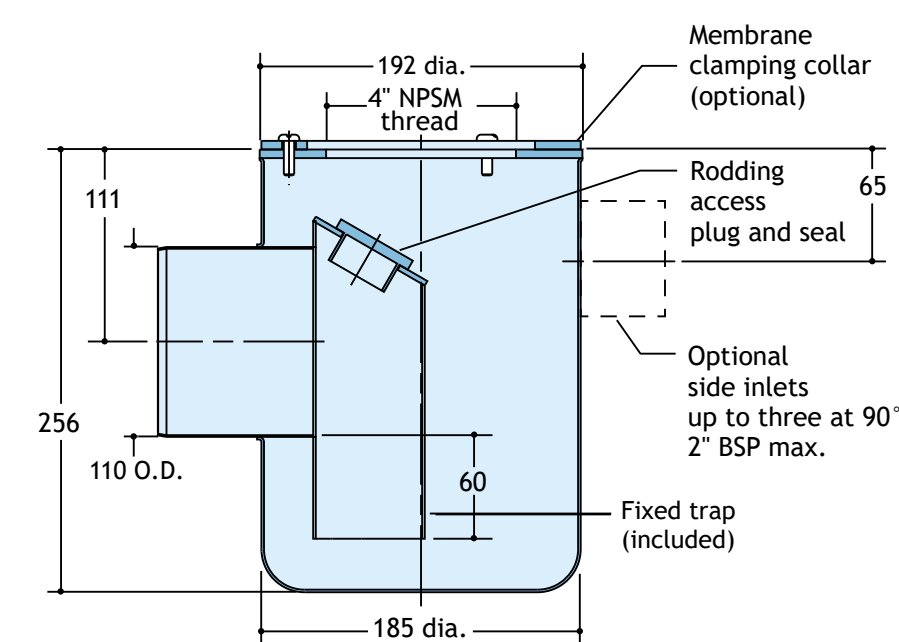
Outlet Size (mm)	Free Area (cm ²)	Weight (kg)	Spec Code
110	51	2.8	QG114



QG214 Horizontal Outlet - P Trapped - 60mm Seal

SS

Outlet Size (mm)	Free Area (cm ²)	Weight (kg)	Spec Code
110	60	3.5	QG214



Vari Level Bodies - P trapped

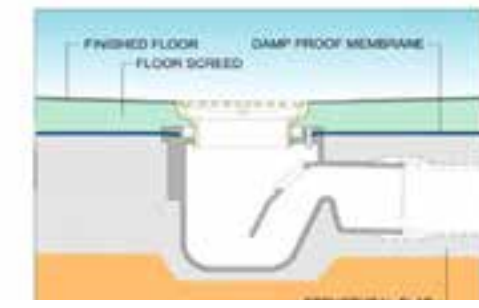
G102SS & G104SS trapped gullies with 50mm water seal, are versatile and compact, suitable for finished floor areas where limited space is available for a gully.

Key Features

- Compatible with all Vari-Level Gratings and Rodding Eyes.
- Grade 304 SS drain bodies with optional Grade 316 available on request.

Technical - Did you know?

- Can be used without a membrane clamping collar, if required, it can be ordered separately - see below.
- Height adjustability is **-30mm /-10mm**
- Note: To calculate distance A (adjustability) apply the +/- dimension (above) to the overall grating height.
E.g. L2106 Grating has overall height of 57mm:
57mm - 30mm = **Min 27mm**
57mm - 10mm = **Max 47mm.**



Product Accessories

	Page
Gratings & Rodding Eyes	31
Extension Pieces	42
Pipe Adaptors	43
Filter Buckets & Bolt-on-Funnels	45

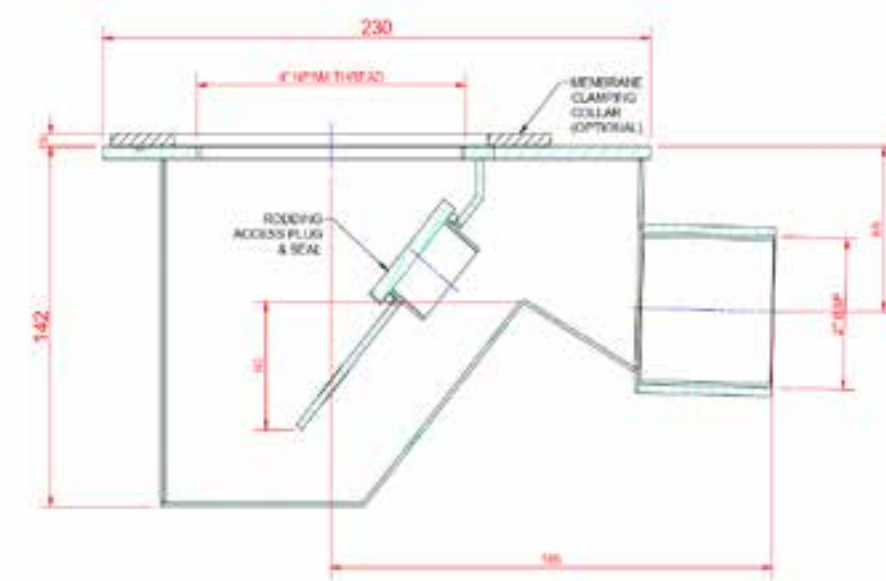
Optional Extras

- M - For Grade 316 add suffix 'M' to the code
- C - For clamping collar add Suffix 'C' to the spec code.
- W - add suffix 'W' for weepholes eg GS102SSCW

G102SS Horizontal Threaded Outlet - P Trapped - 50mm Seal

SS

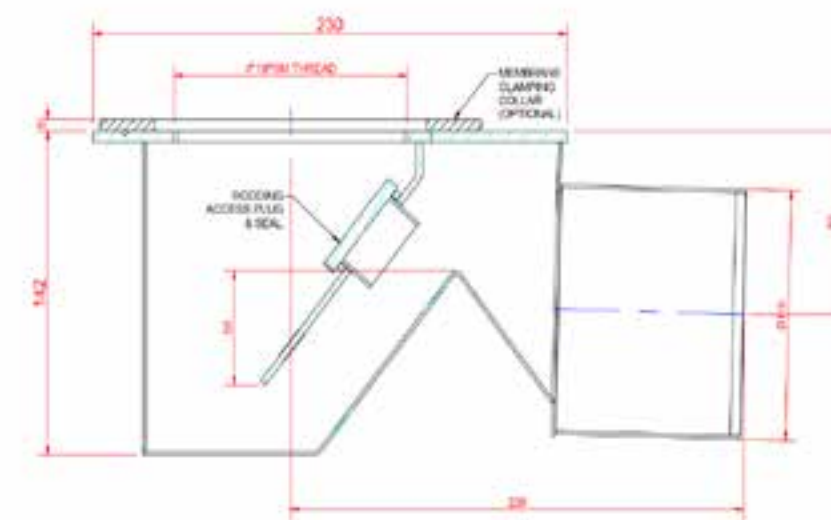
Outlet Size (BSP)	Free Area (cm ²)	Weight (kg)	Spec Code
2	28	3.7	G102SS



G104SS Horizontal Spigot Outlet - P Trapped - 50mm Seal

SS

Outlet Size (mm)	Free Area (cm ²)	Weight (kg)	Spec Code
110	28	3.7	G104SS



Vari Level Bodies - non-trapped

QB114 and QB214 stainless steel drain bodies are suitable for use in high specification applications such as clean rooms, food preparation and areas where high corrosion resistance is necessary.

Key Features

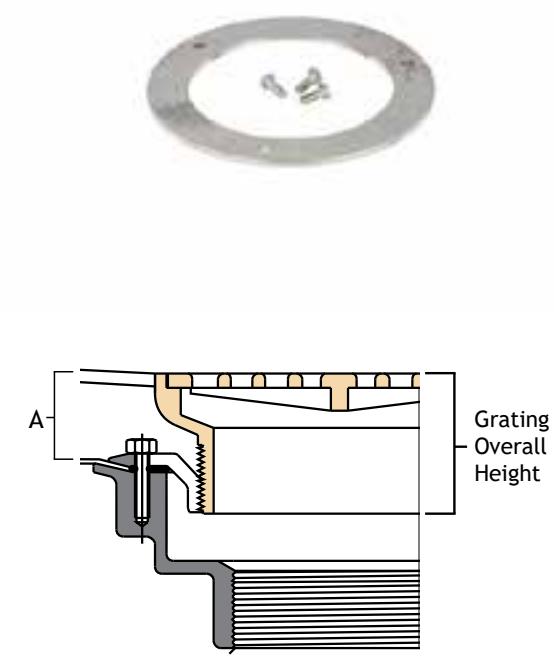
- Compatible with all Vari-Level Gratings and Rodding Eyes.
- Grade 304 drain bodies with optional Grade 316 available on request.
- Optional membrane clamping collar. Including flanges for Asphalt and Timber Deck application.
- Body allows for up to 4 (max 3 on QB214) side inlets, see page 29 to specify

Product Accessories

	Page
Gratings & Rodding Eyes	31
Extension Pieces	42
Pipe Adaptors	43
Filter Buckets & Bolt-on-Funnels	45

Technical - Did you know?

- Can be used without a membrane clamping collar, if required, it can be ordered separately - see below.
- Height adjustability is **-30mm +/-10mm**
- Note: To calculate distance A (adjustability) apply the +/- dimension (above) to the overall grating height.
E.g. L2106 Grating has overall height of 57mm:
57mm - 30mm = **Min 27mm**
57mm - 10mm = **Max 47mm.**



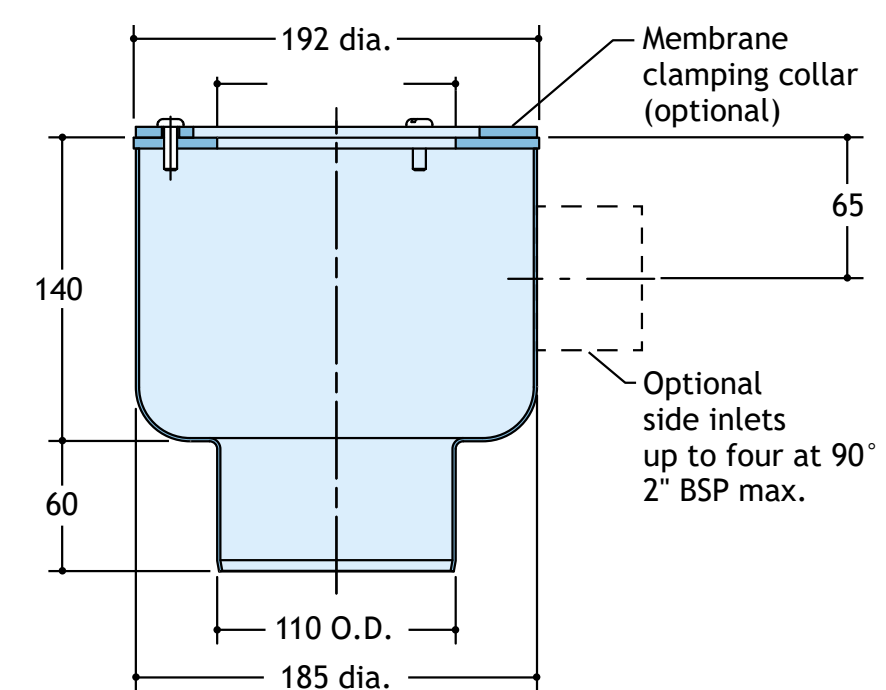
Optional Extras

- M - For Grade 316 add suffix 'M' to the spec code
- C - For clamping collar add Suffix 'C' to the spec code.

QB114 Vertical Spigot Outlet - Deep Sump

SS

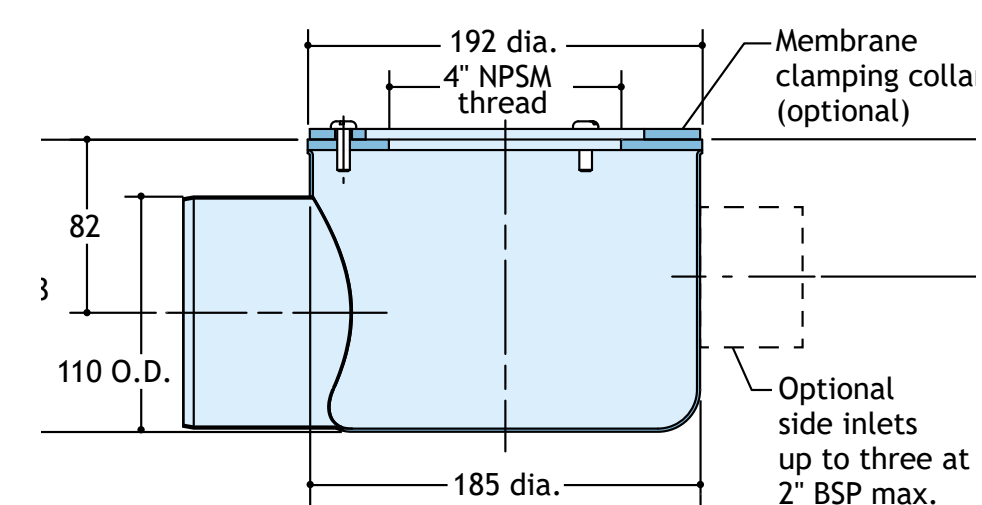
Outlet Size (mm)	Free Area (cm ²)	Weight (kg)	Spec Code
110	78	2.3	QB114



QB214 Horizontal Spigot Outlet - Deep Sump

SS

Outlet Size (mm)	Free Area (cm ²)	Weight (kg)	Spec Code
110	78	2.1	QB214



Vari Level Bodies - trapped

GP312, GP614 and GP1104 ABS plastic drain bodies are suitable for use in lower volume drainage applications, such as light commercial or domestic drainage.

Key Features

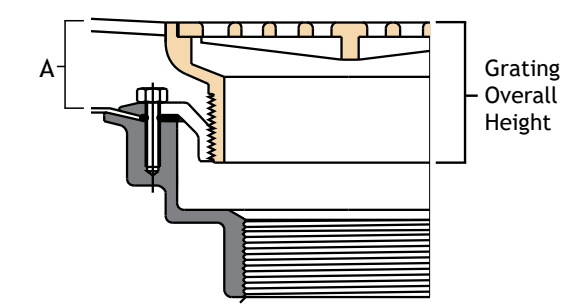
- Compatible with most Vari-Level Gratings and Rodding Eyes.
- Membrane clamping collar included.
- Full access to pipework via removable trap.
- GP1104 supplied with 3no optional knock out 56mm side inlets.

Product Accessories

	Page
Gratings & Rodding Eyes	31
Pipe Adaptors	43
Filter Buckets & Bolt-on-Funnels	45

Technical - Did you know?

- A gasket is supplied to ensure a watertight joint between membrane (or body if no membrane is being used) and membrane clamping collar.
- ABS has a maximum continuous operating temperature of 75°C.
- Height adjustability GP312 & GP614 is -5mm /+10mm
- Height adjustability GP1104 is -0mm /+10mm
- Note: To calculate distance A (adjustability) apply the +/- dimension (above) to the overall grating height.
E.g. L2106 Grating has overall height of 57mm:
57mm - 0mm = Min 57mm
57mm + 10mm = Max 67mm.



Optional Extras

W - For Weepholes (to provide supplementary drainage at membrane level) add Suffix 'W'

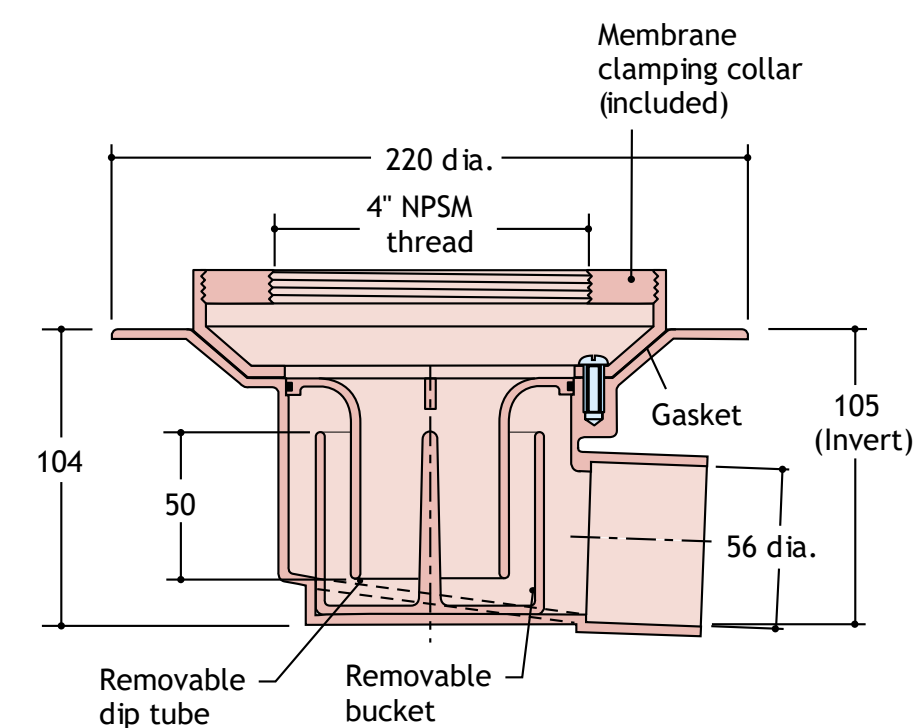
GP312 Horizontal Spigot Outlet - 50mm Seal

PL

Outlet Size (mm)	Free Area (cm ²)	Weight (kg)	Spec Code
50	14	0.6	GP312

Note:

- Outlet size 56mm internal diameter socket



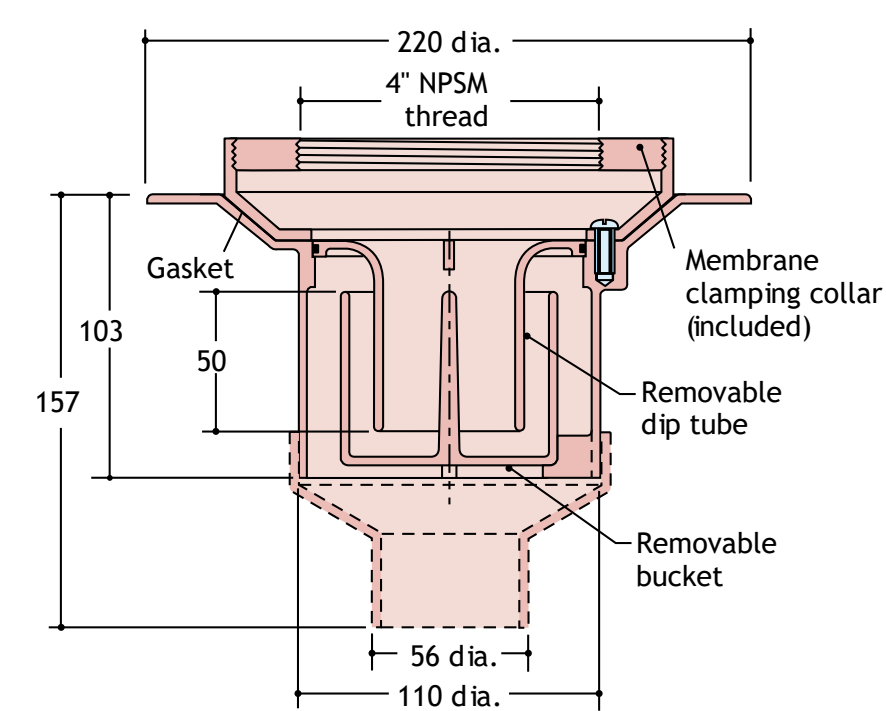
GP614 Vertical Spigot Outlet - 50mm Seal

PL

Outlet Size (mm)	Free Area (cm ²)	Weight (kg)	Spec Code
110/50	14	0.6	GP614

Note:

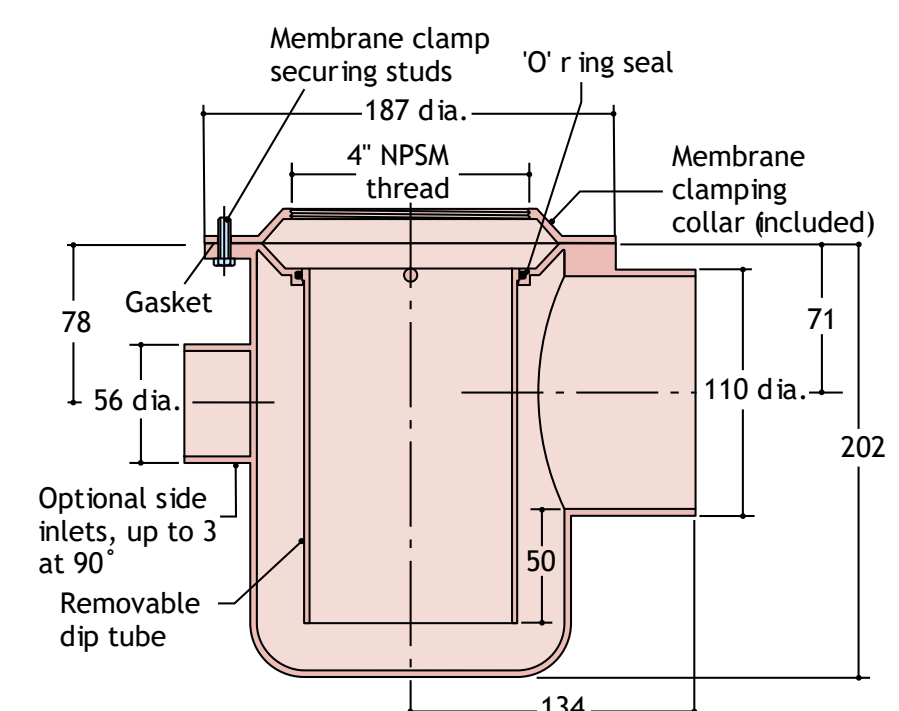
- 110mm outlet size = external diameter.
- 50mm reducer = 56mm external diameter socket



GP1104 Horizontal Spigot Outlet - 50mm Seal

PL

Outlet Size (mm)	Free Area (cm ²)	Weight (kg)	Spec Code
110	67	0.6	GP1104



Vari-Level Clamping Collars

Membrane clamping collars are components used to secure a damp proof membrane to a gully body. Wade manufactures a range of Vari-Level gully bodies, and each has a membrane clamping collar to suit.

Two different types of membrane clamping collar are available

1) Membrane clamping collar (fig. 1 & 2) Vari-Level gully bodies without a threaded inlet require a membrane clamping collar which serves the dual purpose of clamping the membrane and connecting the grating/cover to the body. The appropriate membrane clamping collar must be specified to go with the required gully body and grating/cover. Unless specified otherwise, a gasket is supplied to ensure a watertight joint between membrane (or body if no membrane is being used) and membrane clamping collar.

2) Optional membrane clamping collar (fig. 3) For Vari-Level gully bodies with a threaded inlet for connecting the grating/cover, the membrane clamping collar is an optional extra, to be specified if the application includes a damp-proof membrane

To specify

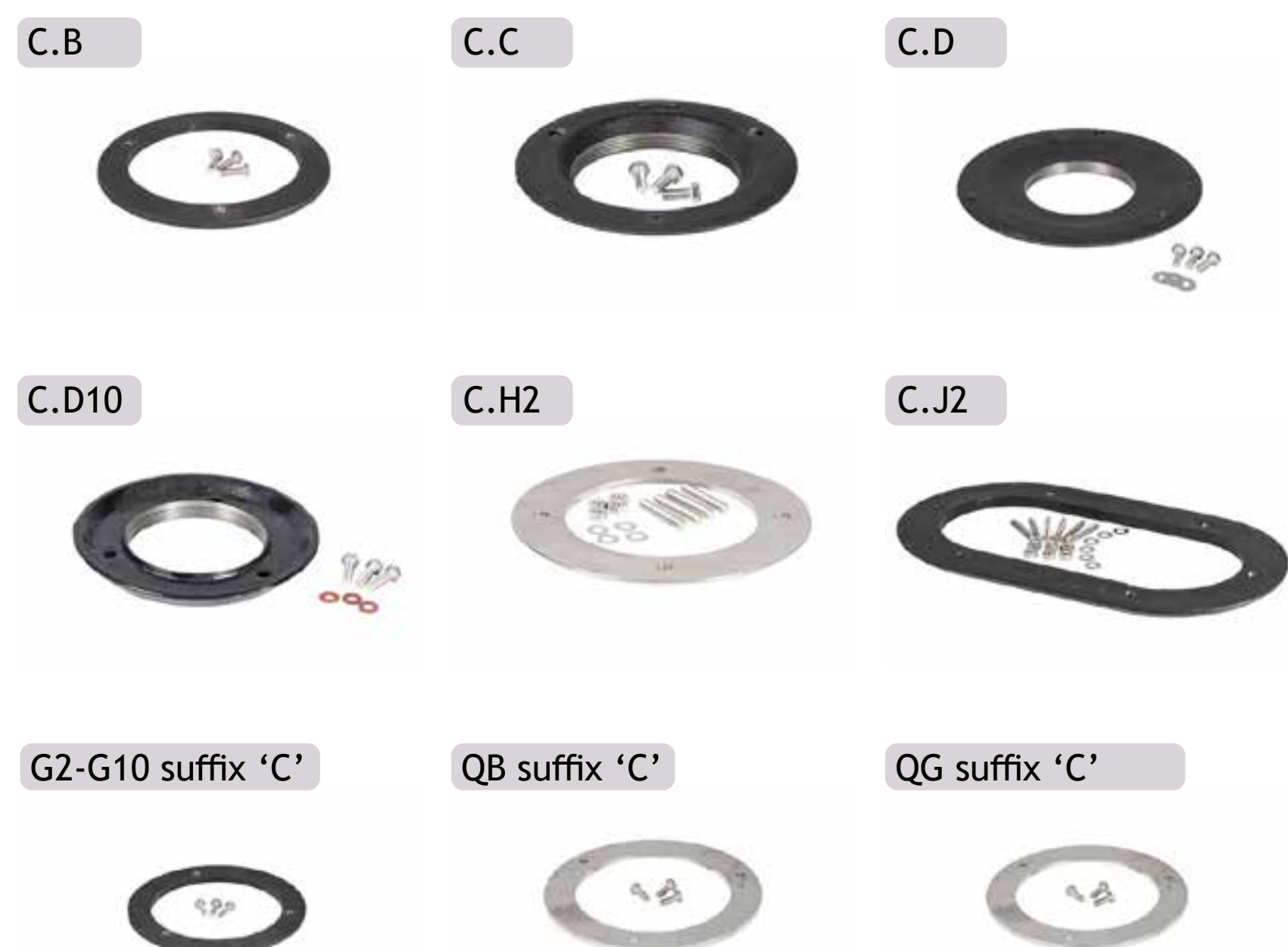
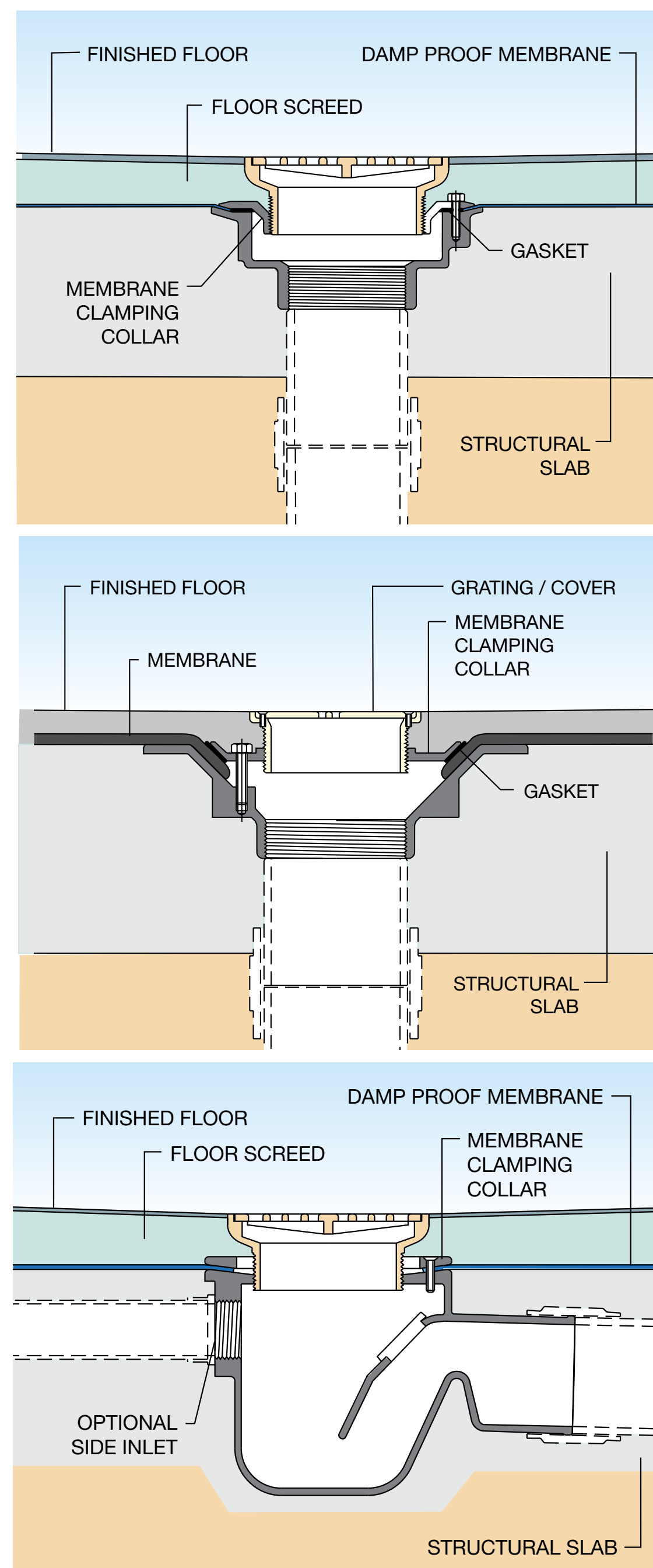
The below table lists membrane clamping collar Spec. Codes by gully body series. Select the appropriate membrane clamping collar from the table to fit the gully body.

Options

Membrane clamping collars are machined to produce variations to suit particular installations such as: 'W' with weepholes to provide supplementary drainage at membrane level.

Note:

Some membrane clamping collars are reversible (figure 1), thereby increasing the height adjustability of grating/cover above the body (please refer to height adjustability guide on gully body pages). All membrane clamping collars include stainless steel fasteners to connect to the gully body.



Body Series	For use with 4" throat Vari-Level grating/cover
B504	C.B (optional)
C series	C.C - standard 4" throat version (gasketed) C.CW - includes weepholes (not sealed)
D2-D7 series	C.D - standard 4" throat version (gasketed) C.DW - includes weepholes (not sealed)
D10-D12 series	C.D10 - standard 4" throat version (gasketed) C.D10W - includes weepholes (not sealed)
G2-G10 series	add suffix 'C' to body Spec. Code (optional)
GC144	C.C - standard 4" throat version (gasketed) C.CW - includes weepholes (not sealed)
GD series	C.D - standard 4" throat version (gasketed) C.DW - includes weepholes (not sealed)
GP series	This series is supplied as an assembly which includes a body, membrane clamping collar and gasket For weepholes - Add suffix 'W' to body spec code.
H2 series	C.H2 (optional)
J204	C.J2 (optional)
QB series	Add suffix 'C' to body Spec. Code (optional)
QG series	Add suffix 'C' to body Spec. Code (optional)

Vari-Level Side Inlets

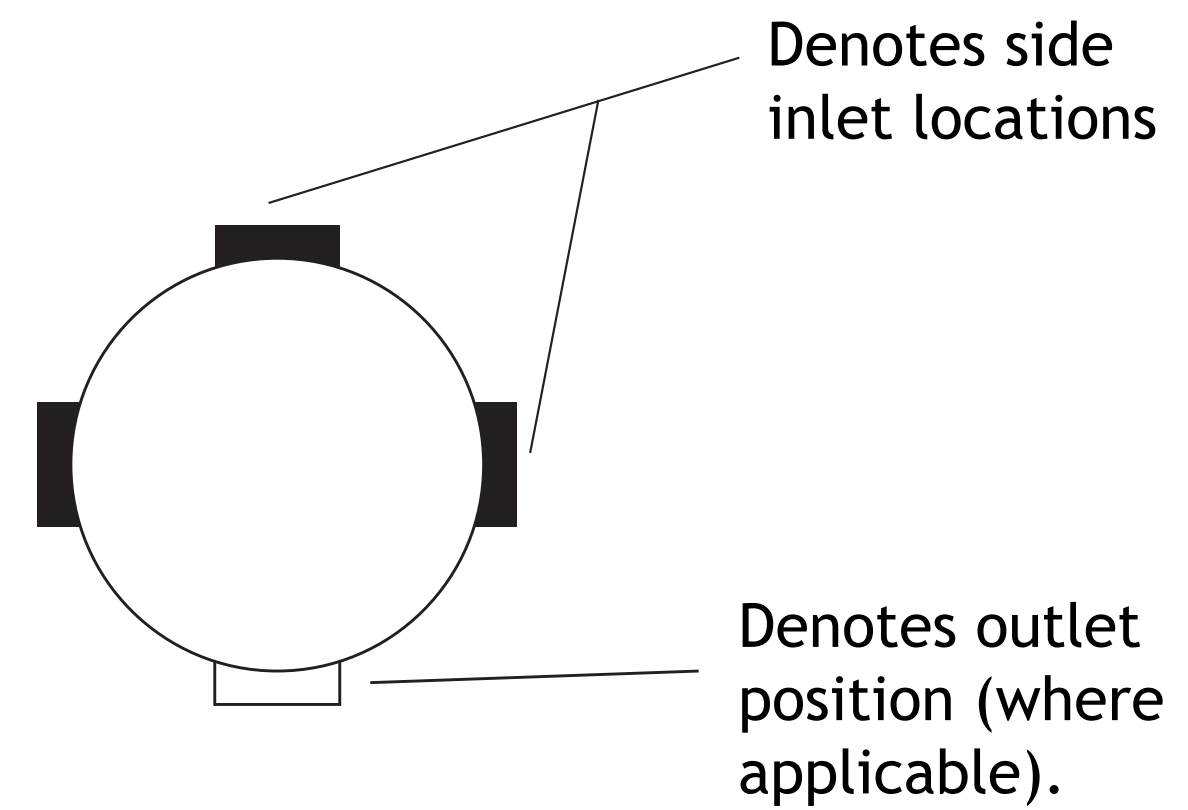
Side inlets in a gully permit the underfloor connection of pipes from fixtures such as sinks and wash basins, from drainage channels and from other gullies.

Side inlets in Wade trapped gullies are located completely above the water level, except in GD series where the inlets are partially below the water level.

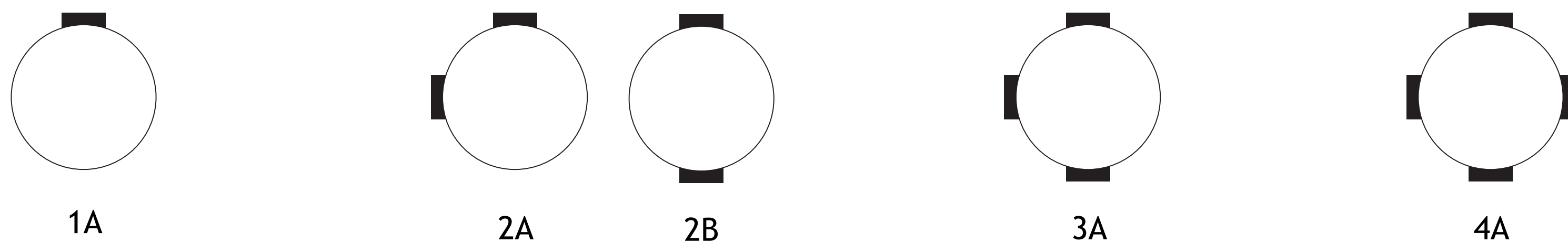
The illustrations represent typical gully bodies, viewed from above, and show the Spec. Codes for all possible combinations of locations.

Unless otherwise requested, side inlets in cast iron gully bodies will be supplied as BSP female threads (specify thread size); stainless steel bodies have BSP female threads up to 2"; above 2", spigot inlets are supplied to suit BS 416 pipework.

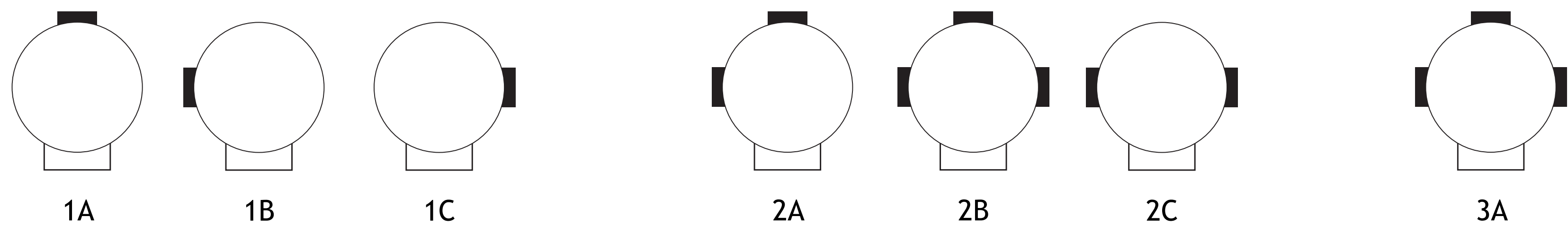
GP1104 plastic gully body has three side inlets moulded-in that will accept 50mm plastic pipework; these inlets are usable by removing knock-outs from the body on site.



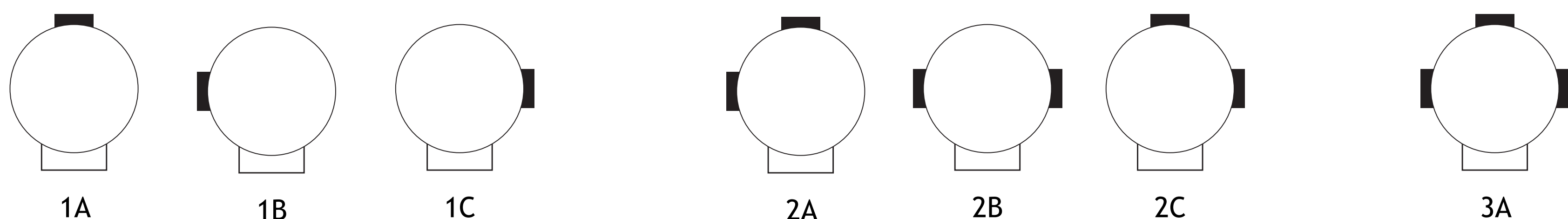
Gully bodies with verticle outlet



Gully bodies with 'P' or 'S' trapped outlet



Gully bodies with horizontal outlet



To specify/order

Quote the Spec. Code for the selected body with suffix 'I' and the locations and size of each inlet. e.g. G304 body with 2 side inlets tapped 1.5" BSP, in locations per illustrations 2B. Specify G304I 2B 1.5

Vari-Level Gratings - range summary

Vari-Level floor drainage gratings are specifically designed to offer adjustable height settings, allowing for precise customisation to meet various drainage requirements. These gratings provide exceptional flexibility, ensuring effective water management in diverse environments such as pedestrian areas, food processing facilities, and laboratories.

CI Cast Iron - Page 32

For use in unfinished floors, such as plant rooms and car parks. Suitable for restoration and refurbishment projects to match period architecture.



NB Nickel Bronze - Pages 33-34

For use in pedestrian areas to suit a variety of floor finishes, including ceramic and vinyl tiles, marble, paving, terrazzo, resin and wood.



SS Stainless Steel - Pages 35-37

For use in high specification applications, including food preparation areas, prison cells, showers, and areas where high corrosion resistance is a requirement.



Vari-level Gratings - cast iron

Circular Gratings - for tiled, resin and concrete floors

CI

K2103CI

K2501



Note: Optional Asphalt membrane clamp available - add suffix 'A'

Product Code	Overall Size (mm)	Overall Height (mm)	Throat Dia (inches)	Aperture size (mm)	Free Area (cm ²)	Load Rating	Weight (kg)
K2103CI	155	54	4" NPSM	7	58	K3	1.7
K2501	176	60	4" NPSM	11	85	L15	1.8

Optional Extras

H - add suffix 'H' to add Pin Torx screws for security applications

Square Gratings - for tiled, resin and concrete floors

CI

L2501CI

L2601



Product Code	Overall Size (mm)	Overall Height (mm)	Throat Dia (inches)	Aperture size (mm)	Free Area (cm ²)	Load Rating	Weight (kg)
L2501CI	150	57	4" NPSM	14	60	K3	2.3
L2601	150	57	4" NPSM	7	55	L15	1.7

Optional Extras

H - add suffix 'H' to add Pin Torx screws for security applications

Vari-level Gratings - nickel bronze

Circular Gratings - for tiled, resin and concrete floors

NB

K21 Series



K2401



For use with trowel applied composition flooring. 4mm flange depth

K2601



Note: To take multiple indirect waste pipes; with peripheral grating (funnel not secured)

K2701



Note: To take single indirect waste pipe; with peripheral grating (funnel not secured)

K3301



Note: To take single indirect waste pipe; with peripheral cover and vermin guard

K3302



Note: To take multiple indirect waste pipes; with peripheral cover and vermin guard

K2201



Note: Indirect waste connector (grating not secured)

K3101



Note: Dome grating protrudes 30mm

Product Code	Overall Size (mm)	Overall Height (mm)	Throat Dia (inches)	Aperture size (mm)	Free Area (cm ²)	Load Rating	Weight (kg)
K2101	135	48	4" NPSM	6	40	K3	1.0
K2401	152	53	4" NPSM	6	58	L15	1.9
K2103	152	53	4" NPSM	6	58	L15	1.5
K2601	176	72	4" NPSM	-	42	-	4.1
K2701	176	72	4" NPSM	-	48	-	3.2
K3301	150	53	4" NPSM	-	23	-	2.7
K3302	150	53	4" NPSM	-	42	-	3.7
K2201	176	72	4" NPSM	7	73	L15	2.5
K3101	135	78	4" NPSM	16	43	L15	1.0

Optional Extras

- H - add suffix 'H' to add Pin Torx screws for security applications Excluding K2601 & K2701
- I - add suffix 'I' to add central female threaded inlet, please specify size BSP 1" or 2". (applicable to K2101, K2103, K2401 only)

Circular Gratings - for flexible sheet flooring

NB

K23 Series



K3401



Note: to take single indirect waste pipe; with peripheral cover and vermin guard

K3402



Note: to take multiple indirect waste pipes; with peripheral cover and vermin guard

Product Code	Overall Size (mm)	Overall Height (mm)	Throat Dia (inches)	Aperture size (mm)	Free Area (cm ²)	Load Rating	Weight (kg)
K2302	176	60	4" NPSM	6	48	L15	2.0
K2303	250	58	4" NPSM	6	106	L15	4.1
K3401	176	60	4" NPSM	-	12	-	3.3
K3402	176	60	4" NPSM	-	21	-	4.2

Optional Extras

- H - add suffix 'H' to add Pin Torx screws for security applications
- I - add suffix 'I' to add central female threaded inlet, please specify size BSP 1", 2" or 3" (applicable to K2302 and K2303 only)

Vari-level Gratings - nickel bronze

Square Gratings - for tiled & resin floors

NB

L21 Series



L2202



L2301



Note: can be tapped to accept 1" BSP waste pipe; add suffix 'I'

L2801



Note: To take single indirect waste pipe; with peripheral cover and vermin guard

L2803



Note: To take multiple indirect waste pipes; with peripheral cover and vermin guard

L2501



L3001

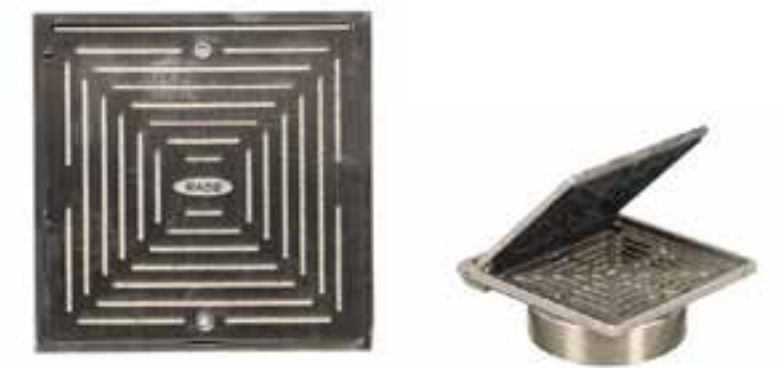


L5301



Note: Grating concealed by solid hinged cover.

L5401



Note: Grating concealed by solid hinged cover with sealed cover

Product Code	Overall Size (mm)	Overall Height (mm)	Throat Dia (inches)	Aperture size (mm)	Free Area (cm ²)	Load Rating	Weight (kg)
L2102	135	53	4" NPSM	6	60	L15	1.7
L2103	150	57	4" NPSM	8	82	L15	1.9
L2104	201	70	4" NPSM	8	156	L15	3.9
L2202	125 x 430	70	4" NPSM	6	155	L15	5.6
L2301	150	48	4" NPSM	6	40	L15	1.3
L2801	150	48	4" NPSM	-	12	-	3.4
L2803	150	57	4" NPSM	-	21	-	4.4
L2501	150	57	4" NPSM	13	60	L15	2.1
L3001	161	60	4" NPSM	7	92	L15	2.3
L5301	150	55	4" NPSM	4	44	L15	2.6
L5401	150	55	4" NPSM	4	44	L15	2.6

Optional Extras

- H - add suffix 'H' to add Pin Torx screws for security applications
- I - add suffix 'I' to add central female threaded inlet, please specify size BSP 1", 2" 3" or 4" (applicable to flat/non-hinged gratings/covers only)

Vari-level Gratings - stainless steel

Circular Gratings - for tiled, resin and concrete floors

SS

K2107



K2407



Note: For use with trowel applied composition flooring. 6mm flange depth

K2801



Note: self securing loose grating. Not suitable for use with GC, GD or GP series bodies

Product Code	Overall Size (mm)	Overall Height (mm)	Throat Dia (inches)	Aperture size (mm)	Free Area (cm ²)	Load Rating	Weight (kg)
K2107	150	53	4	6	58	L15	1.0
K2407	150	53	4	6	58	L15	2.5
K2801	140	50	4	7	13	L15	1.4

Optional Extras

- H* - add suffix 'H' to add Pin Torx screws for security applications (except K2801)
- I* - add suffix 'I' to add central female threaded inlet,, please specify size BSP 1" or 2". (except K2801)
- M* - add suffix 'M' for grade 316 stainless steel
- P* - add suffix 'P' for polished finish

Circular Gratings - for flexible sheet flooring

CI SS

K1807



K2307



K3407



Note: to take single indirect waste pipe; with peripheral cover and vermin guard

Product Code	Overall Size (mm)	Overall Height (mm)	Throat Dia (inches)	Aperture size (mm)	Free Area (cm ²)	Load Rating	Weight (kg)
K1807	176	60	4	6	26	K3	2.0
K2307	176	60	4	6	48	L15	2.0
K3407	176	60	4	-	35	-	2.3

Optional Extras

- H* - add suffix 'H' to add Pin Torx screws for security applications (except K1807)
- M* - add suffix 'M' for grade 316 stainless steel (sheradised cast iron frame)
- P* - add suffix 'P' for polished finish
- I* - add suffix 'I' to add a direct connection waste pipe, please specify size BSP 1" or 2" (applicable to K2307 only)

Circular Gratings - security applications

CI SS

K3502



Note: Security area drainage (2mm apertures) with Pin Torx* screws

K3504



Note: Security area drainage (4mm apertures) with Pin Torx* screws

K3602



Note: Security area drainage for use with flexible sheet flooring such as vinyl (2mm apertures) with Pin Torx* screws

K3604



Note: Security area drainage for use with flexible sheet flooring such as vinyl (4mm apertures) with Pin Torx* screws

Product Code	Overall Size (mm)	Overall Height (mm)	Throat Dia (inches)	Aperture size (mm)	Free Area (cm ²)	Load Rating	Weight (kg)
K3502	150	54	4" NPSM	2	5	K3	1.3
K3504	150	54	4" NPSM	4	20	K3	1.3
K3602	176	60	4" NPSM	2	5	K3	1.8
K3604	176	60	4" NPSM	4	20	K3	1.8

Optional Extras

- M* - add suffix 'M' for grade 316 stainless steel
- P* - add suffix 'P' for polished finish (K3602 K3604 with sheradised cast iron frame)

Vari-level Gratings - stainless steel

Square Gratings - for tiled, resin and concrete floors

SS

L2106

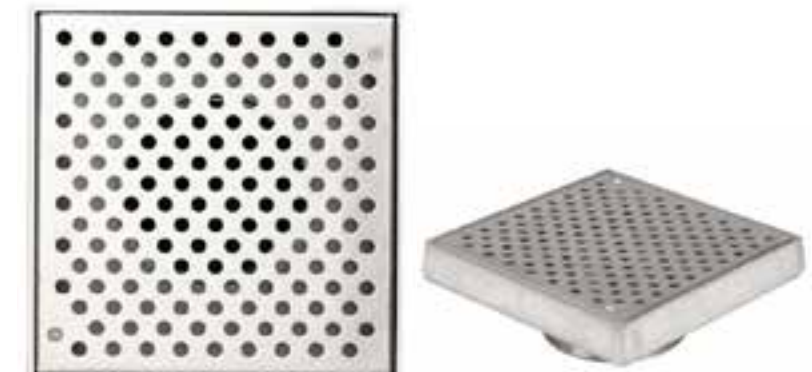


L29 Series



Note: Streamline heel-proof reverse wedge profile grating is secured with Pin Hex screws

L31 Series



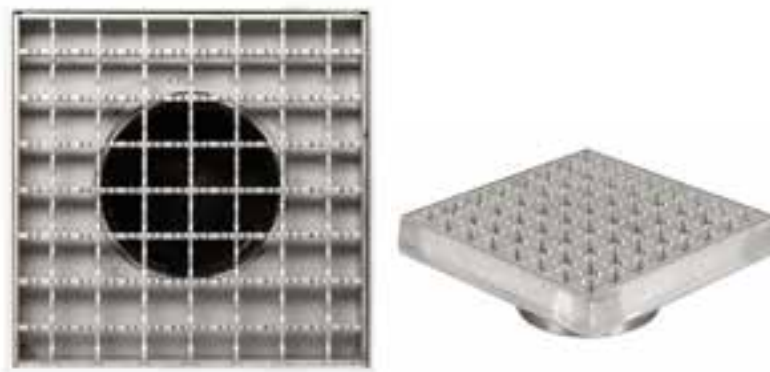
Note: Circular aperture

L32 Series



Note: Square aperture

L33 Series



Note: Anti-slip mesh (grating not secured)

L34 Series



Note: Plain mesh (grating not secured)

L53 Series



Note: Hinged cover with a circular non-secured grating inside.

L2701



Note: to take single indirect waste pipe; with peripheral cover and vermin guard

Product Code	Overall Size (mm)	Overall Height (mm)	Throat Dia (inches)	Aperture size (mm)	Free Area (cm ²)	Load Rating	Weight (kg)
L2106	147	57	4" NPSM	8	82	L15	1.4
L2901	150	75	4" NPSM	5	105	L15	1.6
L2902	200	75	4" NPSM	5	216	L15	2.5
L3101	150	75	4" NPSM	8	34	K3	1.6
L3102	200	75	4" NPSM	8	75	K3	2.5
L3201	150	75	4" NPSM	8	38	K3	1.6
L3202	200	75	4" NPSM	8	74	K3	2.5
L3301	150	75	4" NPSM	23	150	L15	1.8
L3302	200	75	4" NPSM	23	290	L15	2.8
L3401	150	75	4" NPSM	23	150	L15	1.8
L3402	200	75	4" NPSM	23	290	L15	2.8
L5305	135	55	4" NPSM	6	31	K3	1.1
L5308	147	55	4" NPSM	6	31	K3	1.3
L2701	150	57	4" NPSM	-	35	-	2.2

Optional Extras

H - add suffix 'H' to add Pin Torx screws for security applications (L2106, L31 series, L32 series and L2701 only)

M - add suffix 'M' for grade 316 stainless steel

P - add suffix 'P' for polished finish (not applicable to L33 series and L34 series)

Vari-level Gratings - stainless steel

Square Gratings - for flexible sheet flooring

SS

L35 Series



Note: Plain mesh

L36 Series



Note: Anti-slip mesh (grating not secured),

L37 Series



Note: Streamline heel-proof reverse wedge profile secured with pin hex screws

L38 Series



Note: Circular aperture

L39 Series



Note: Square aperture

Product Code	Overall Size (mm)	Overall Height (mm)	Throat Dia (inches)	Aperture size (mm)	Free Area (cm ²)	Load Rating	Weight (kg)
L3501	173	98	4" NPSM	23	150	L15	2.8
L3502	223	98	4" NPSM	23	290	L15	3.8
L3601	173	98	4" NPSM	23	150	L15	2.8
L3602	223	98	4" NPSM	23	290	L15	2.8
L3701	173	98	4" NPSM	5	105	L15	2.7
L3702	223	98	4" NPSM	5	216	L15	3.6
L3801	173	98	4" NPSM	8	34	K3	2.6
L3802	223	98	4" NPSM	8	75	K3	3.5
L3901	173	98	4" NPSM	8	38	K3	2.6
L3902	223	98	4" NPSM	8	74	K3	3.5

Optional Extras

- H* - add suffix 'H' to add Pin Torx screws for security applications (L38 series and L39 series only)
- M* - add suffix 'M' for grade 316 stainless steel
- P* - add suffix 'P' for polished finish (not applicable to L35 and L36 series)

Vari-Level Rodding Eyes - range summary

Vari-Level rodding eyes are intelligently designed fixtures that provide easy access and maintenance for underground drainage pipes. These innovative rodding eyes offer adjustable height settings, allowing for precise alignment with the floor surface.

CI Cast Iron - Page 39

For use in unfinished floors, such as plant rooms and car parks. Suitable for restoration and refurbishment projects to match period architecture.



NB Nickel Bronze - Pages 39-40

For use in pedestrian areas to suit a variety of floor finishes, including ceramic and vinyl tiles, marble, paving, terrazzo, resin and wood.



SS Stainless Steel - Page 41

For use in high specification applications, including food preparation areas, prison cells, showers, and areas where high corrosion resistance is a requirement.



Vari-Level Rodding Eyes

Circular Rodding Eye - for tiled, resin and concrete floors

CI

K5801



Note: 'SuperSeal' (double sealed)

Product Code	Overall Size (mm)	Overall Height (mm)	Throat Dia (inches)	Seal Type	Load Rating	Weight (kg)
K5801	176	60	4" NPSM	SuperSeal	M125	2.7

Optional Extras

H - add suffix 'H' to add Pin Torx screws for security applications

Square Rodding Eye - for tiled, resin and concrete floors

CI

L5701



Note: 'SuperSeal' (double sealed)

Product Code	Overall Size (mm)	Overall Height (mm)	Throat Dia (inches)	Seal Type	Load Rating	Weight (kg)
L5701	150	57	4" NPSM	SuperSeal	L15	3.6

Optional Extras

H - add suffix 'H' to add Pin Torx screws for security applications

Circular Rodding Eyes - for tiled, resin and concrete floors

NB

K52 Series



Note: Gasketed

K5401



Note: Plug with 'O' ring seal for use in plunge and foot baths

K5501



Note: 'SuperSeal' (double sealed)

K5701



Note: 'SuperSeal' (double sealed).

Product Code	Overall Size (mm)	Overall Height (mm)	Throat Dia (inches)	Seal Type	Load Rating	Weight (kg)
K5202	150	48	4" NPSM	Gasketed	L15	2.0
K5203	150	48	4" NPSM	Gasketed	L15	2.0
K5401	155	54	4" NPSM	O-Ring	L15	2.3
K5501	152	53	4" NPSM	SuperSeal	L15	1.8
K5701	152	65	4" NPSM	SuperSeal	L15	2.4

Optional Extras

H - add suffix 'H' to add Pin Torx screws for security applications
 I - add suffix 'I' to add central female threaded inlet,, please specify size BSP 1", 2" or 3" (applicable to K52 series)

Vari-Level Rodding Eyes

Circular Rodding Eyes - for flexible sheet flooring

NB

K51 Series



Note: Gasketed

K5301



Note: Gasketed

K5601



Note: 'SuperSeal' (double sealed)

Product Code	Overall Size (mm)	Overall Height (mm)	Throat Dia (inches)	Seal Type	Load Rating	Weight (kg)
K5102	176	60	4" NPSM"	Gasketed	L15	2.5
K5103	250	58	4" NPSM"	Gasketed	L15	4.5
K5301	152	53	4" NPSM"	Gasketed	L15	2.1
K5601	176	60	4" NPSM"	SuperSeal	L15	2.3

Optional Extras

H - add suffix 'H' to add Pin Torx screws for security applications (excluding K5301)

I - add suffix 'I' to add central female threaded inlet, please specify size BSP 1", 2" or 3" (excluding K5601)

Square Rodding Eyes - for tiles, resin and concrete floors

NB

L5101



Note: Gasketed

L5103



Note: Gasketed

L5201



Note: Hinged cover in square frame (unsealed)

L5301/L5401



Note: Hinged cover with grating inside. L54 version has sealed cover, (L53 unsealed)

L5501



Note: 'SuperSeal' (double sealed)

L5601



Note: 'SuperSeal' (double sealed)

Product Code	Overall Size (mm)	Overall Height (mm)	Throat Dia (inches)	Seal Type	Load Rating	Weight (kg)
L5101	135	42	4" NPSM	Gasketed	L15	1.4
L5103	160	60	4" NPSM	Gasketed	L15	2.7
L5201	150	48	4" NPSM	Unsealed	L15	1.5
L5301	150	55	4" NPSM	Unsealed	L15	2.6
L5401	150	55	4" NPSM	Sealed	L15	2.6
L5501	150	57	4" NPSM	SuperSeal	L15	2.6
L5601	150	48	4" NPSM	SuperSeal	L15	1.7

Optional Extras

H - add suffix 'H' to add Pin Torx screws for security applications
I - add suffix 'I' to add central female threaded inlet, please specify size BSP 1", 2" or 3" (applies to L5103)

Vari-Level Rodding Eyes

Circular Rodding Eyes - for tiled, resin and concrete floors

SS



Note: Gasketed

Note: 'SuperSeal' (double sealed)

Note: Gasketed

Optional Extras

H - add suffix 'H' to add Pin Torx screws for security applications

I - add suffix 'I' to add central female threaded inlet, please specify size BSP 1", 2" or 3" (excluding K5507)

M - add suffix 'M' for grade 316 stainless steel

P - add suffix 'P' for polished finish

Product Code	Overall Size (mm)	Overall Height (mm)	Throat Dia (inches)	Seal Type	Load Rating	Weight (kg)
K5207	150	53	4" NPSM	Gasketed	L15	1.2
K5507	150	53	4" NPSM	SuperSeal	L15	1.4
K5307	150	53	4" NPSM	Gasketed	L15	1.8

Circular Rodding Eyes - for flexible sheet flooring

CI SS



Note: 'SuperSeal' (double sealed)

Optional Extras

H - add suffix 'H' to add Pin Torx screws for security applications

I - add suffix 'I' to add central female threaded inlet, please specify size BSP 1", 2" or 3" (excluding K5607)

M - add suffix 'M' for grade 316 stainless steel (sheradised cast iron frame)

P - add suffix 'P' for polished finish

Product Code	Overall Size (mm)	Overall Height (mm)	Throat Dia (inches)	Seal Type	Load Rating	Weight (kg)
K5107	176	60	4" NPSM	Unsealed	L15	1.9
K5607	176	60	4" NPSM	Superseal	L15	2.4

Square Rodding Eyes - for tiles, resin and concrete floors

SS



Hinged cover with a circular non-secured grating inside. (unsealed).

'SuperSeal' (double sealed). Recessed for flooring material (22mm recess depth)

Product Code	Overall Size (mm)	Overall Height (mm)	Throat Dia (inches)	Seal Type	Load Rating	Weight (kg)
L5305	135	55	4" NPSM	Unsealed	K3	1.1
L5308	150	60	4" NPSM	Unsealed	K3	1.3
L5507	147	57	4" NPSM	SuperSeal	L15	1.9
L5807	150	75	4" NPSM	SuperSeal	L15	2.0

Optional Extras

H - add suffix 'H' to add Pin Torx screws for security applications (excluding L53 series)

M - add suffix 'M' for grade 316 stainless steel

P - add suffix 'P' for polished finish

Vari-Level Extension Pieces

Used to increase the height between the top of a body/adaptor and grating/rodding eye.

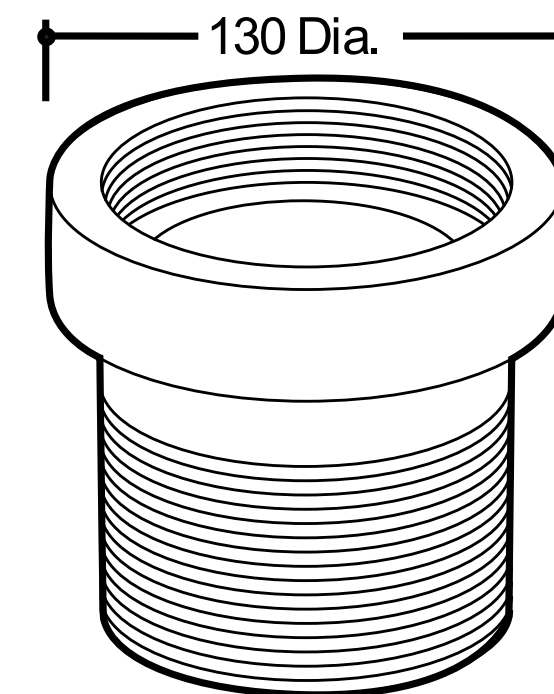
U1 Series

CI

Compatibility

- Vari-Level Gratings Cast Iron and stainless steel Adaptors and Bodies with 4" NPSM throat

Spec. Code	Thread Size NPSM		Overall Height (mm)	Height Adjustment		Max O.D. (mm)	Weight (kg)
	Female (inches)	Male (inches)		Min.	Max.		
U102	4" NPSM	4" NPSM	60	37	55	130	1.1
U103	4" NPSM	4" NPSM	100	40	95	130	1.6
U104	4" NPSM	4" NPSM	152	85	145	130	2.5



Note:

- Extensions may be stacked to obtain extra height, but access to trap/plug will be restricted when used with G2-G10/GC/GD/QG series trapped bodies
- Generally no more than two large (U104) extensions are recommended on trapped gully bodies

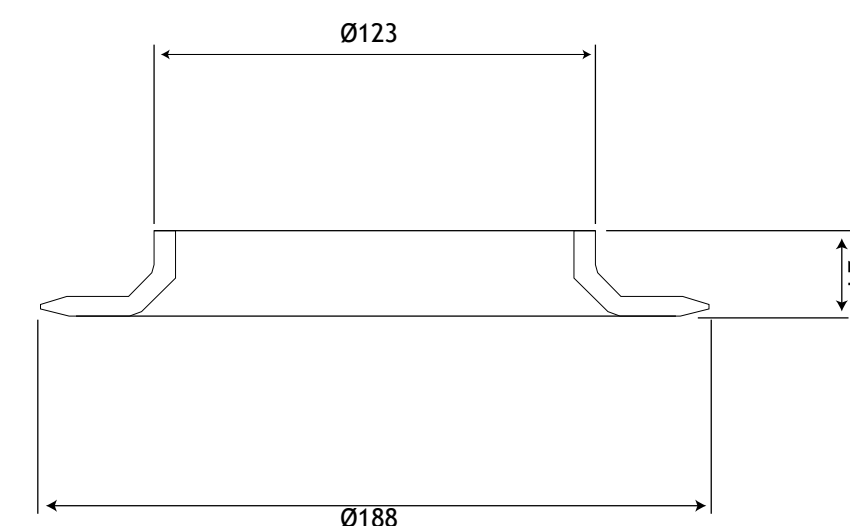
U208

CI

Compatibility

- Vari-Level Gratings and G2 to G10 series bodies with 4" NPSM throat.

Spec. Code	Thread Size NPSM		Overall Height (mm)	Height Adjustment		Max O.D. (mm)	Weight (kg)
	Female (inches)	Male (inches)		Min.	Max.		
U202	4"	-	25	25	25	188	0.9



Note:

- Provides maximum height increase of 25mm
- When retro-fitting to G2-G10 series bodies, 3 no. M6 tapped holes must be drilled on site. To order U208 as a factory fitted option with pre-drilled holes, add suffix 'E' to the body Spec. Code
- This bolt-on extension cannot be stacked.

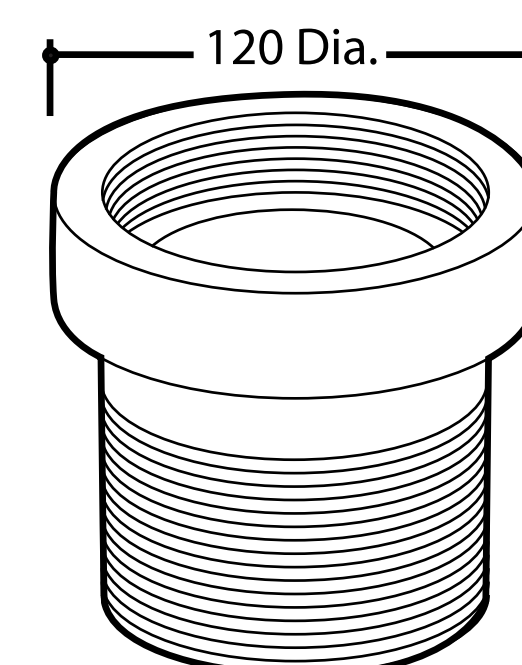
UP104

PL

Compatibility

- All Vari-Level Gratings and GP series bodies with 4" NPSM throat

Spec. Code	Thread Size NPSM		Overall Height (mm)	Height Adjustment		Max O.D. (mm)	Weight (kg)
	Female (inches)	Male (inches)		Min.	Max.		
UP104	4"	4"	152	36	145	120	0.4



Note:

- Extensions may be stacked to obtain extra height, but access to trap/plug will be restricted when used with G2-G10/GC/GD/GP/QG series trapped bodies

Vari-Level - Gratings & Rodding Eye Adaptors

Vari-Level adaptors are specifically designed to provide seamless integration between various floor levels and drainage systems. These versatile adaptors enable the connection of Vari-Level Gratings and Rodding Eyes directly to pipe systems.

Pipework Adaptors

CI PL



Product Code	Product Material	Description	Max Outside Diameter (mm)	Pipework O.D. (mm)	Overall Length (mm)	Weight (kg)
T702	Cast Iron	4" NPSM female to 110 mm	130	110	100	1.5
T703	Cast Iron	4" NPSM female to 82mm	130	82	115	1.4
T704	Cast Iron	4" NPSM female to 75mm	130	75	115	1.7
TP702	Plastic	4" NPSM female to 110mm	130	110	152	0.4
T742	Cast Iron	4" NPSM female to 2" BSP	130	2" BSP	220	3.3
T792	Cast Iron	4" NPSM female to 60mm	130	60	180	3.3
T803	Cast Iron	4" NPSM female to 87mm	130	87	115	1.7
T901	Cast Iron	4" NPSM female to 122mm	122	122	130	2.6
T1103	HDPE/Neoprene	Push Fit Coupling	140	110-119 to 122	92	0.2
T1501	EPDM/Stainless Steel	Flexible Coupling	135	100-115 to 100-115	100	0.3
T1603	Cast Iron/EPDM/ Stainless Steel	Mechanical Joint Coupling	158	85-89 to 70-75	38	1.1

Vari-Level - Gratings & Rodding Eye Adaptors

Vari-Level adaptors are specifically designed to provide seamless integration between various floor levels and drainage systems. These versatile adaptors enable the connection of Vari-Level Gratings and Rodding Eyes directly to pipe systems.

Threaded Pipework Adaptors

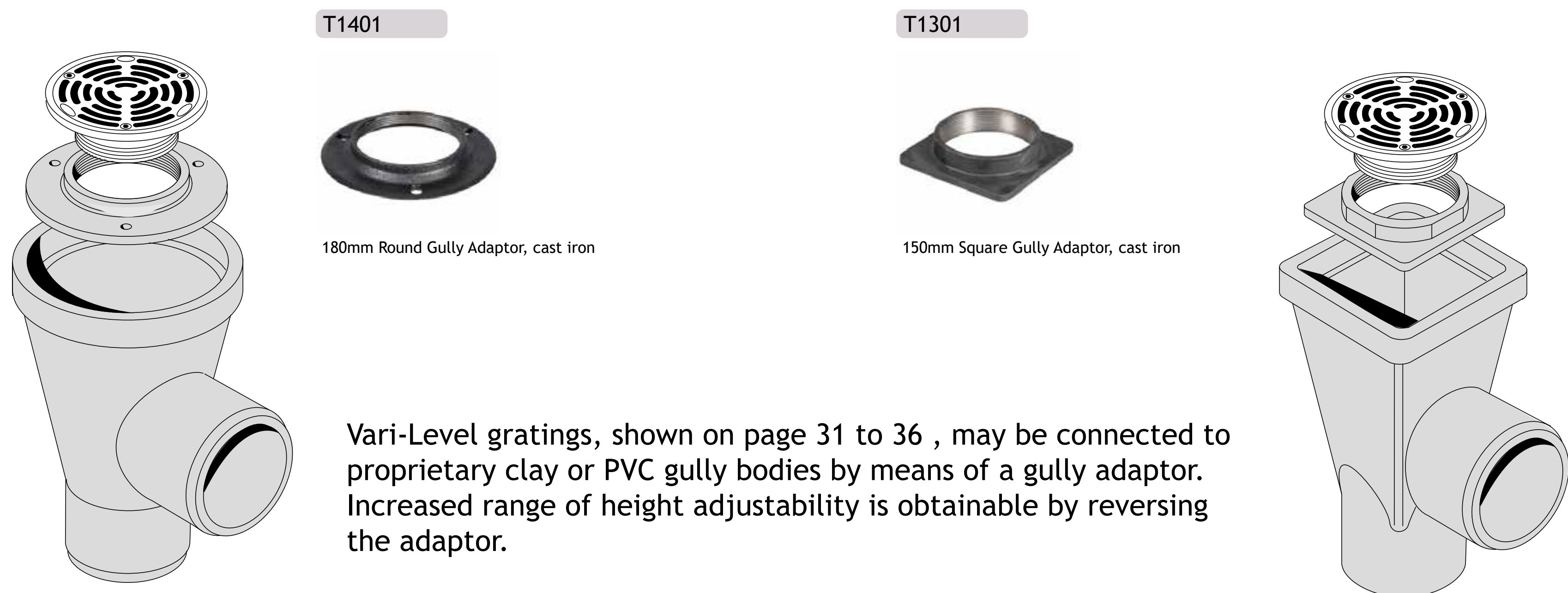
CI PL



Product Code	Product Material	Description	Pipework O.D. (mm)	Overall Length (mm)	Weight (kg)
T101	Mild Steel, Sherardized	2" BSP male inlet to 60mm dia. outlet	60	90	0.5
T102	Mild Steel, Sherardized	3" BSP male inlet and 87mm dia. outlet	87	90	0.9
T103	Cast Iron	4" BSP male inlet and 111mm dia. outlet	111	90	1.2
T104	Cast Iron	6" BSP male inlet and 162mm dia. outlet	162	90	1.1
T105	Cast Iron	4" BSP male inlet and 117mm dia. outlet	117	90	1.4
T301	ABS	3" BSP male inlet and 82.5mm dia. outlet	82	140	0.2
T303	ABS	6" BSP male inlet and 160mm dia	160	166	0.6
T501	Cast Iron	4" BSP male inlet and 122mm dia	122	130	2.8
T1702	ABS	2" BSP male inlet and 54mm dia. outlet	*	60	0.1
T1704	ABS	4" BSP male inlet and 110.2, 111, 114, 117mm dia. outlet	*	126	0.2
T1802	ABS	2" BSP male inlet and 50mm dia. outlet	50	90	0.2

Clay and PVC Gully Adaptors

CI



Vari-Level gratings, shown on page 31 to 36, may be connected to proprietary clay or PVC gully bodies by means of a gully adaptor. Increased range of height adjustability is obtainable by reversing the adaptor.

Vari-Level Accessories

Filter Buckets, Removable Bottle Trap and Backwater Valve for use inside throat of grating and frames with 4" throats. Only one accessory can be used per installation.

Filter Buckets

PL

UP701



For use with direct connection gratings/tundish with 110mm outlets. Will not work with backwater valves and removable bottle traps

Note:

- Not compatible with: K1807, K1897, K2801, K2891.

UP702



Deep version for use with direct connection gratings and tundishes with 110mm outlets. Will not work with backwater valves and removable bottle traps

Note:

- Compatible with 4" Vertical non-trapped bodies. Please check with Wade technical.
- Not compatible with: K1807, K1897, K2801, K2891.
- Sufficient space will need to be provided in pipework below to allow room to fit

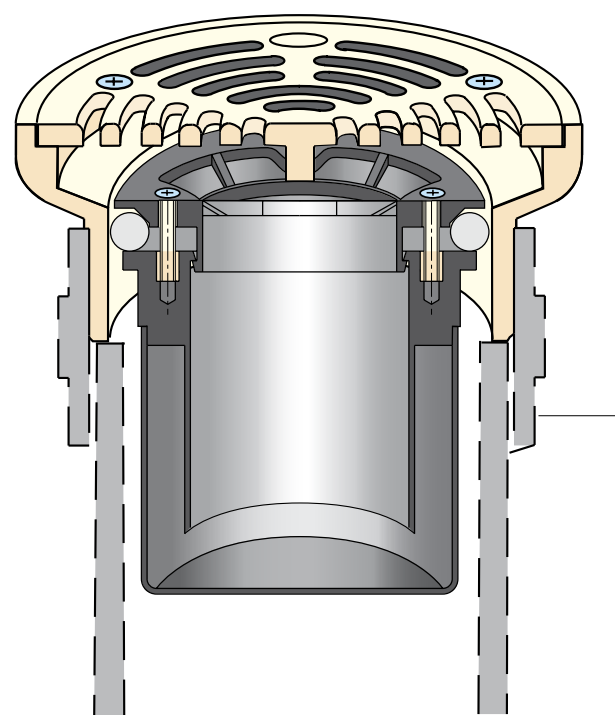
Removable Bottle Trap

PL

U1404



50mm seal. Max flow rate of 1l/s



Note:

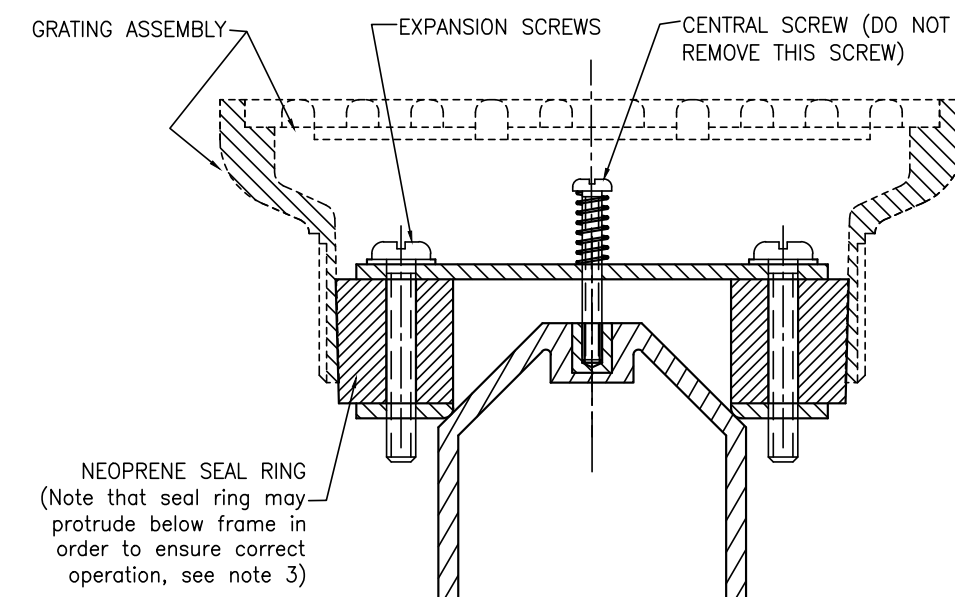
- Compatible with direct connection gratings and tundishes with 110mm outlets. Please check with Wade technical.
- Not compatible with: K1807, K1897, K2801, K2891.
- Sufficient space will need to be provided in pipework below to allow room to fit

Backwater Valve

SS

PL

U704



Note:

- Compatible with direct connection gratings and tundishes with 110mm outlets. Please check with Wade technical.
- Not compatible with: K1807, K1897, K2801, K2891.

Tapered Outlet Plug

PL

UX9901



Tapered to temporarily plug 100mm inlet or outlet during installation

Male Hollow Plug

CI

U1802



Malleable iron 2" BSP male hollow plug. Used to block a side inlet; must be sealed

Vari-Level Accessories

Support plates for timber or asphalt constructions, bolt on funnels for Vari-Level grates.

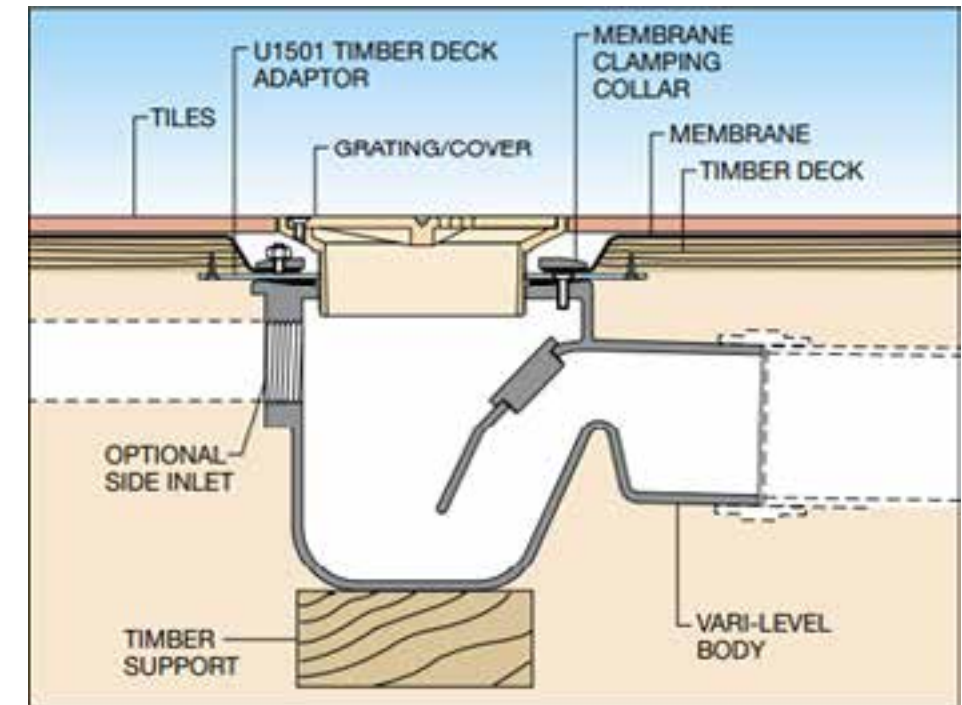
U15 - Stainless Steel support plate for timber deck

SS

CI

Technical - Did you know?

- Stainless steel support plate and cast iron membrane clamp to adapt G2-G10 series bodies for installation in a timber deck with tile floor finish. To specify/order - add suffix 'D' to the body Spec. Code.

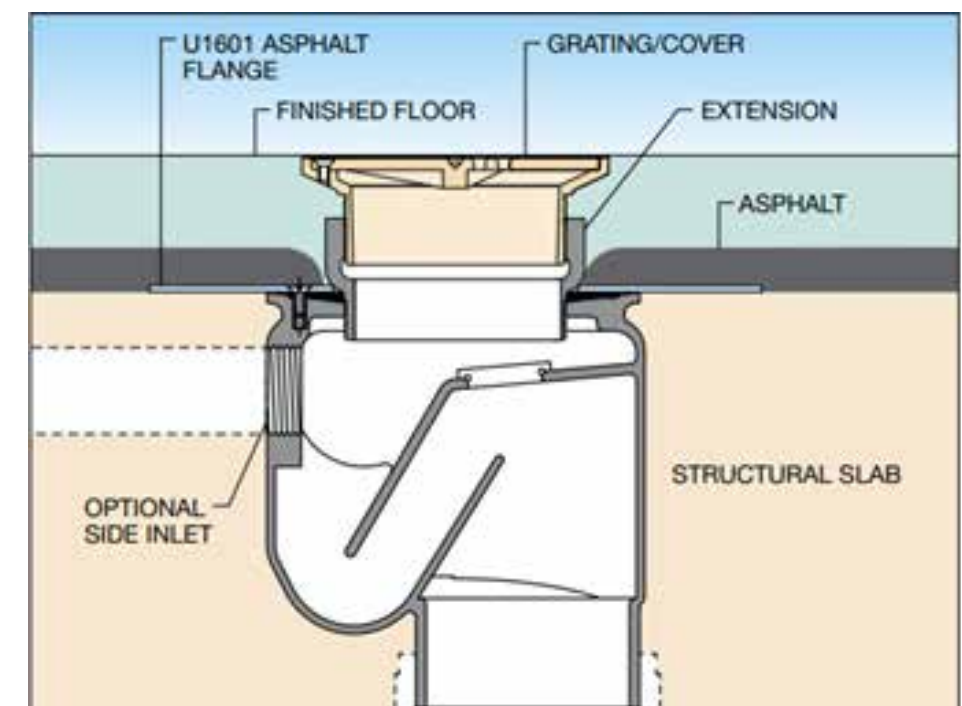


U16 - Stainless Steel support plate for asphalt

SS

Technical - Did you know?

- Stainless steel asphalt flange for use with G2-G10 series bodies. To specify/order - add suffix 'A' to the body Spec. Code.



Bolt-on funnels

MS

SS

NB

CI

U501



Note: To take single indirect waste pipe

U502



Note: To take single indirect waste pipe

U511



Note: To take single indirect waste pipe

U601



Note: To take multiple indirect waste pipe. (for use with gratings with a minimum 150mm dia/sq)

U602



Note: To take multiple indirect waste pipe. (for use with gratings with a minimum 150mm dia/sq)

U611



Note: To take multiple indirect waste pipe. (for use with gratings with a minimum 150mm dia/sq)

Product Code	Material	Overall Width (mm)	Overall Length (mm)	Overall Height (mm)	Free Area (cm ²)	Weight (kg)
U501	Nickle Bronze	101	101	101	23	1.0
U502	Mild Steel Sherardized	101	101	101	23	1.2
U511	Stainless Steel Polished	101	101	100	92	0.9
U601	Nickle Bronze	85	222	96	42	2.0
U602	Mild Steel Sherardized	82	225	96	42	2.2
U611	Stainless Steel	82	222	96	42	2.0

Vari-Level Accessories

For decorative pools, baptismal pools and fonts.

K3201 and K3202 - Overflow adaptors

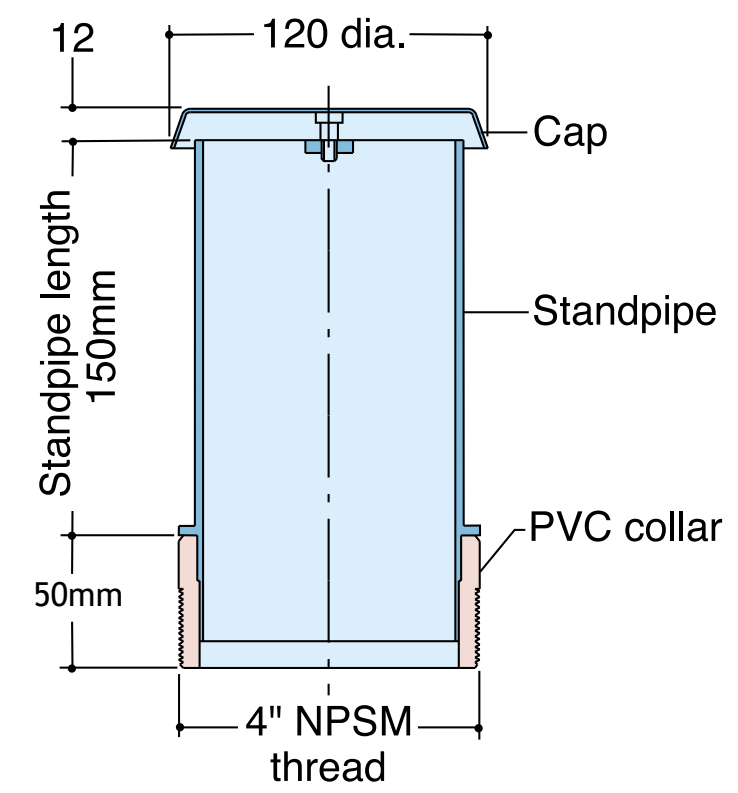
PL SS

Technical - *Did you know?*

- K3201 is without cap
- K3202 is with cap
- To specify/order other standpipe lengths, add suffix '#' and length (mm) to Spec. Code

Note:

- Fits all vari-level bodies with 4" NPSM Throat



K3211 - Overflow adaptor - for tile, resin and concrete floors

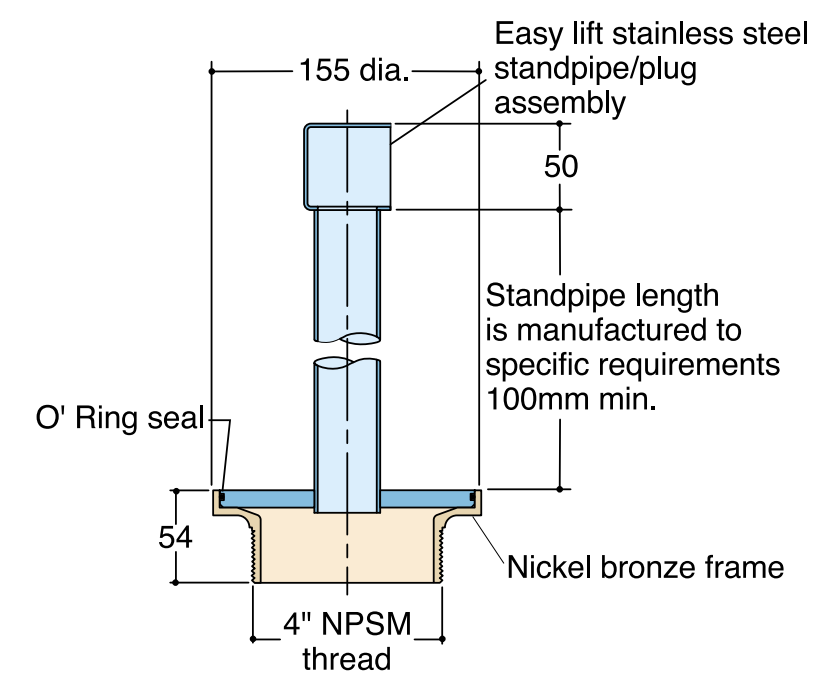
NB SS

Technical - *Did you know?*

- Standpipe is manufactured to specific length (100mm minimum)

Note:

- Fits all vari-level bodies with 4" NPSM Throat



K3212 - Overflow adaptor - for flexible sheet flooring

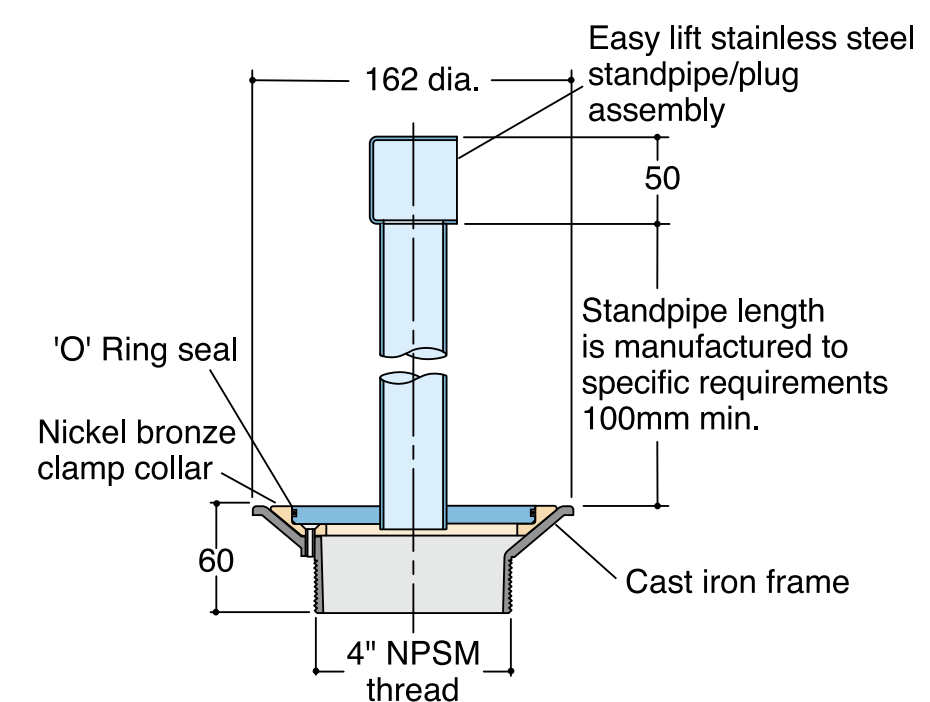
CI NB SS

Technical - *Did you know?*

- Standpipe is manufactured to specific length (100mm minimum)

Note:

- Fits all vari-level bodies with 4" NPSM Throat



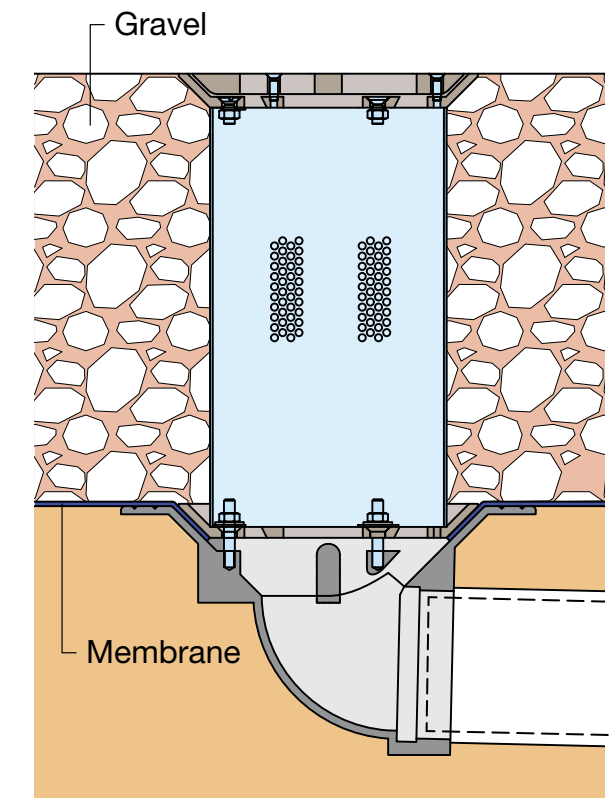
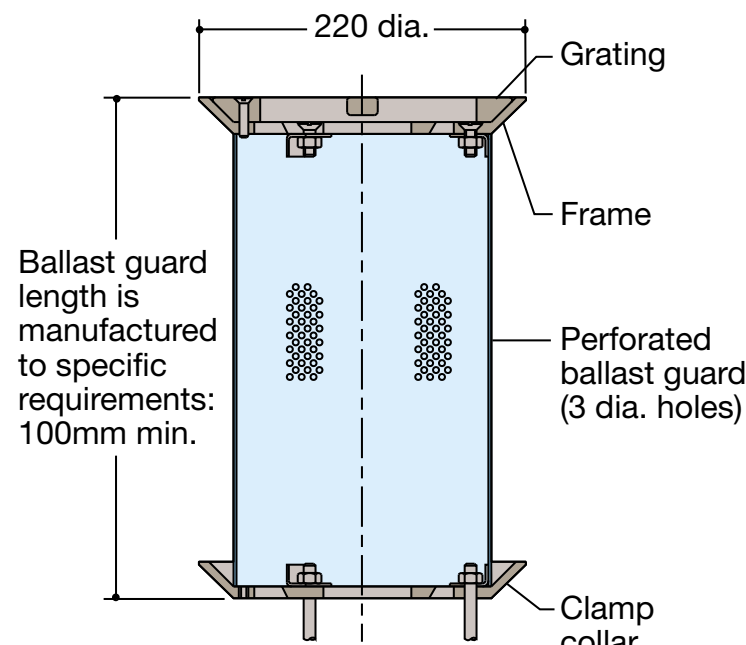
Planter Drains

Wade offers a range of products providing drainage of moisture in planting areas and flower boxes, minimising loss of soil.

P801

Key Features

- For applications where a grating is required at the surface, in a paved area, or where access is required; for use with D10-D12 series bodies, shown on page 18



Spec Code		
Code	Add Length (mm)	Weight
P801	Specify Length	4.0

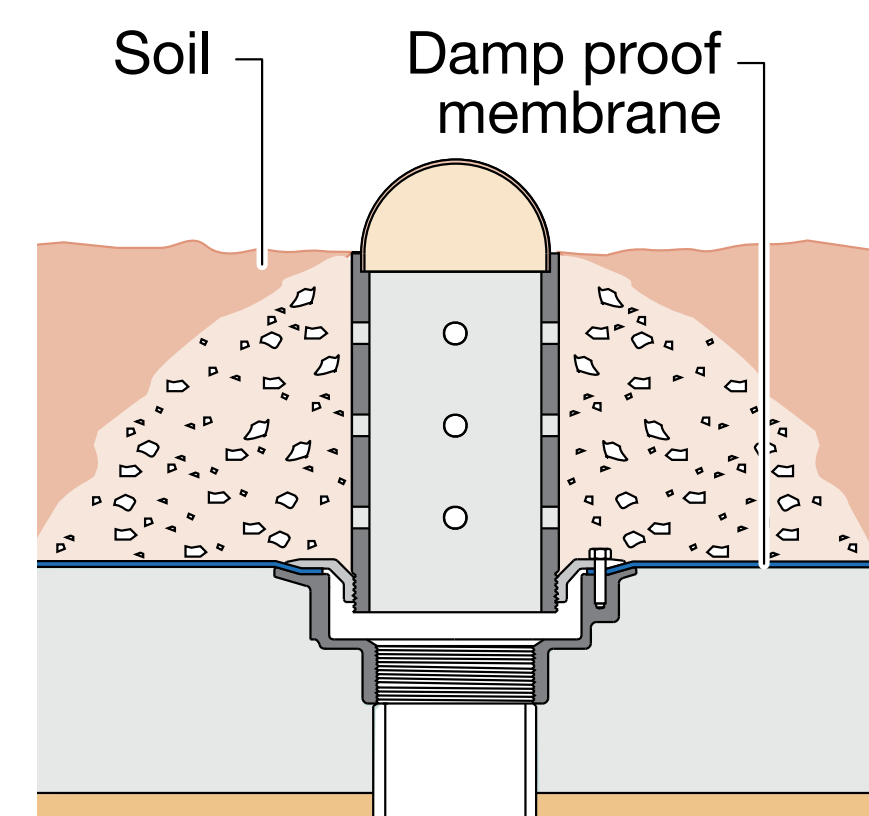
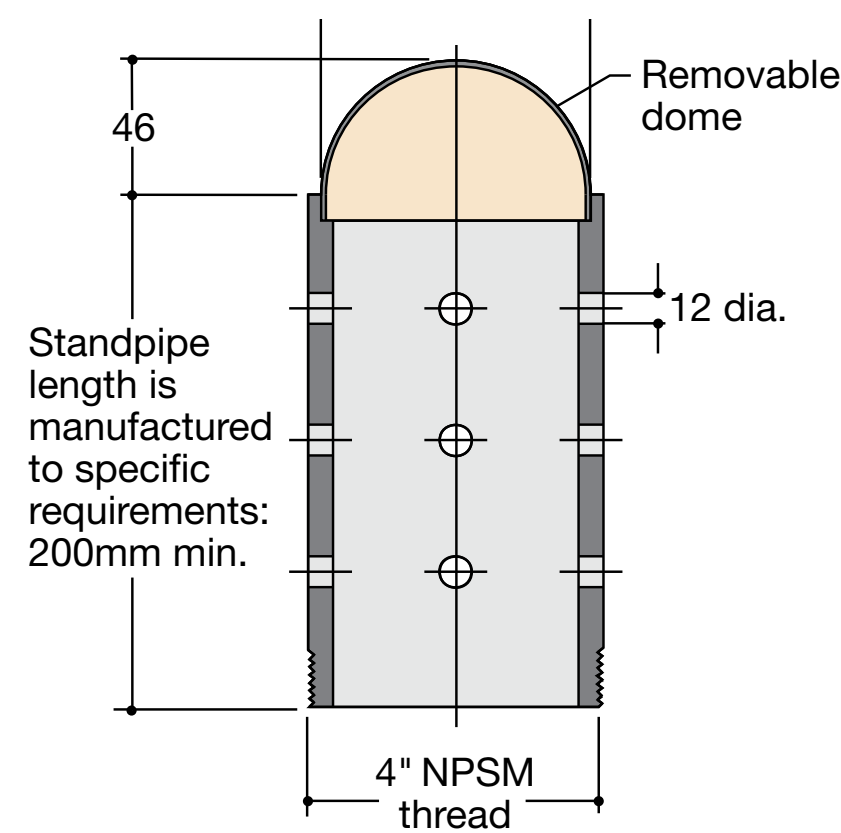
P901 Series

Key Features

- For applications where the standpipe is concealed by soil; for use with Vari-Level bodies and collars shown on page 14. Dome is removable for access purposes

Note:

- Fits all vari-level bodies with 4" NPSM Throat



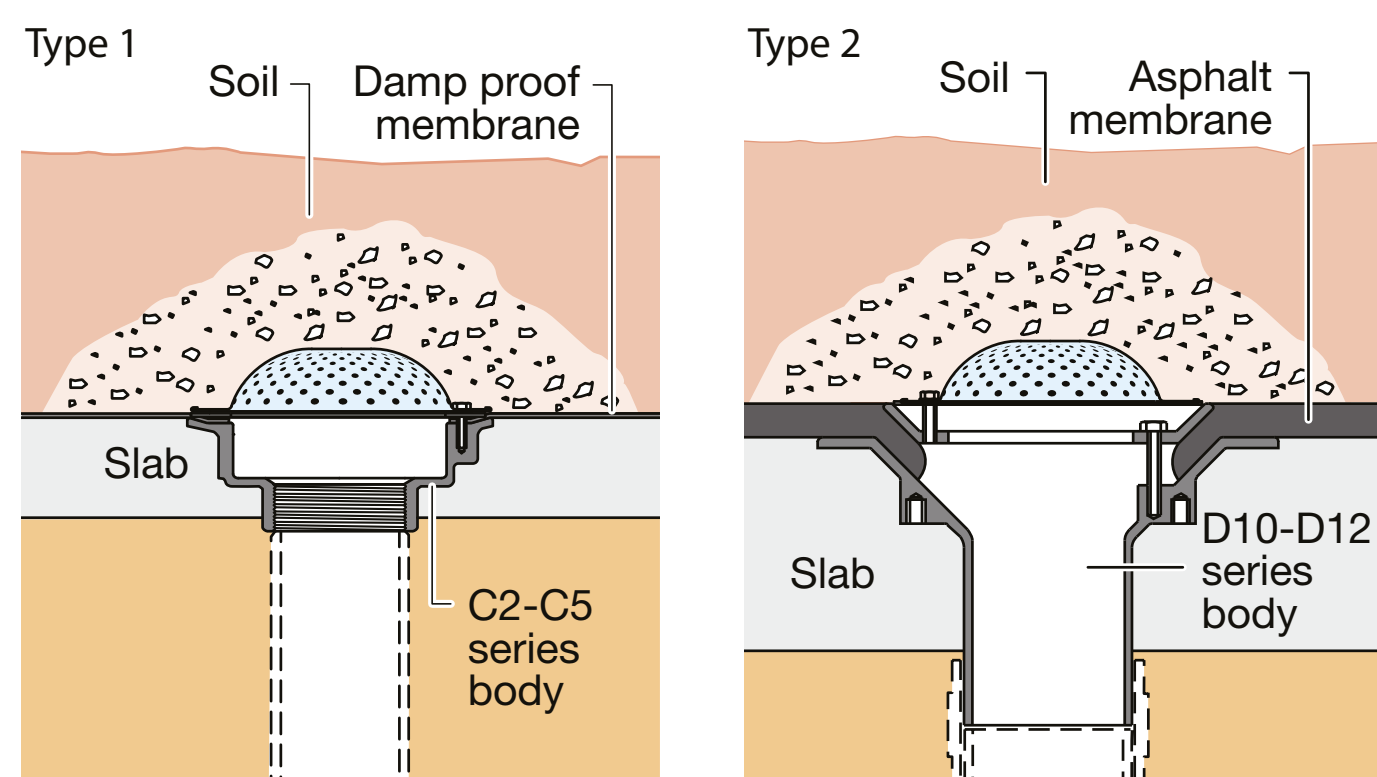
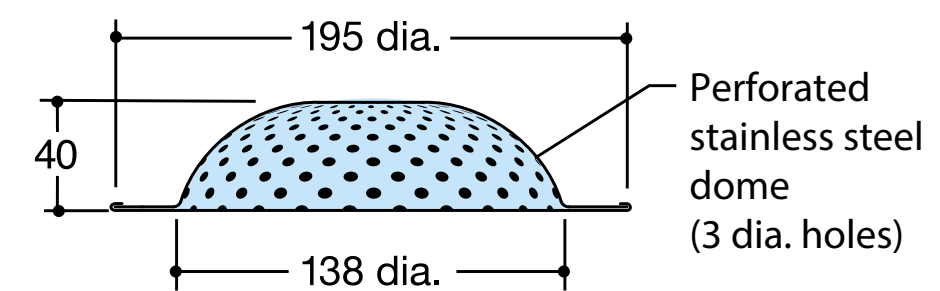
Spec Code		
Code	Add Length (mm)	Weight
P901	Specify Length	0.7

P10 Series

Key Features

- For applications where all drainage is concealed by soil; versions available to suit asphalt or sheet/brush on membranes
- For use with vari-level bodies shown on pages 14

Spec Code	Installation Type	Body Type	Membrane	Dome free area cm ²	Weight kg
P1001	1	C2-C5 Series	Sheet or brush on	115	0.3
P1002	2	D10-D12 Series	All types	115	1.3



Multi-Level - range summary

The Multi-Level range comprises standard gullies in cast iron and stainless steel that give a practical level of height adjustability. The Multi-Level range includes heavy-duty gullies for robust applications, such as car parks, yards, and plant rooms.

CI M101, M301 and M401- Page 50-51

The M101, M301 and M401 provide a versatile range of adjustable height gratings in cast/ductile iron, that, when combined with drain bodies, provide an effective means of drainage for areas that require L15 load class rating.



CI WD Series - Pages 52-55

The WD series provides an extensive range of cast iron bodies with ductile/stainless steel grating options, in various pre-assembled configurations for use in areas requiring surface and sub-surface drainage over a lower-level membrane.



CI F Series - Page 56

The F Series offers heavy-duty deep sump gullies for use in car parks, yards, warehouses and plant rooms. Offering ductile iron and stainless steel hinged grating variants, with class ratings of M125 and P400.



SS Q Series - Page 57-58

The Q series range is made up entirely of stainless steel gully assemblies, providing a fine level of adjustability as standard, with a choice of gratings to suit individual project requirements.



Multi-Level Gully - m series assemblies

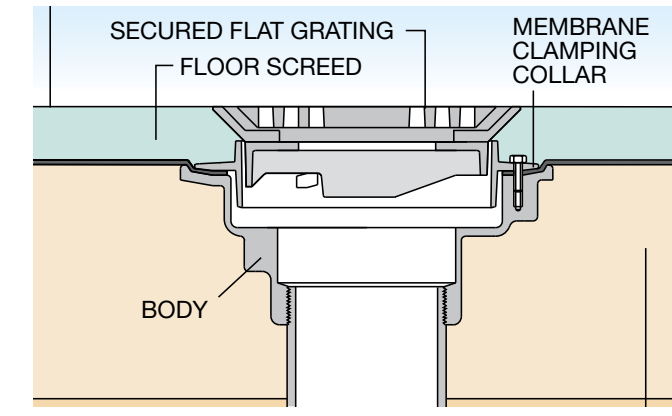
The M101 grate assembly, when combined with C.M1 collar offers a compact solution for screed and asphalt type finishes.

Key Features

- Ductile Iron Grating with high quality sherardized coating
- Rotating design allows for height adjustment
- Compatible with D2 series, D4 series, D604, D7 series and GD series Gully Bodies

Technical - Did you know?

- C.M1 clamping collar is required for assembly and must be ordered separately
- U301 extension piece - can be stacked to achieve extra height
- Side inlet options are available depending on gully body type
- Bolt-on-funnels U502 and U602 can be used for indirect waste connection



Product accessories

	Page
Pipe Adaptors	43
Bolt-on-Funnels	45

Optional Extras

- B - add suffix 'B' to grating for stainless steel Filter Bucket
- W - For Weepholes (to provide supplementary drainage at membrane level) add Suffix 'W' to collar spec code

M101 + C.M1 Adjustable Grating Assembly



Spec Code		Height Adjustability					
Grating	Collar	Load Rating	Free Area (cm ²)	Aperture size (mm)	Min (mm)	Max (mm)	Weight (kg)
M101	C.M1	L15	130	13	50	85	6.0

M101



C.M1



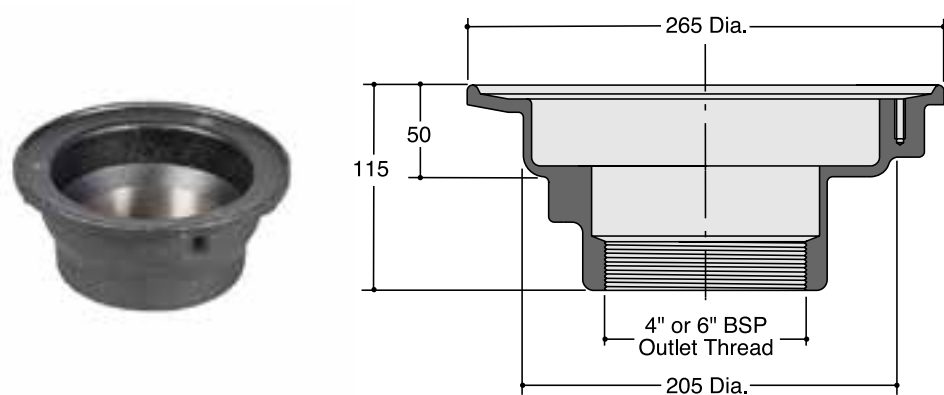
Optional Extras

U301 Extension - increases height between 50-69mm

M101 + C.M1 Body Options

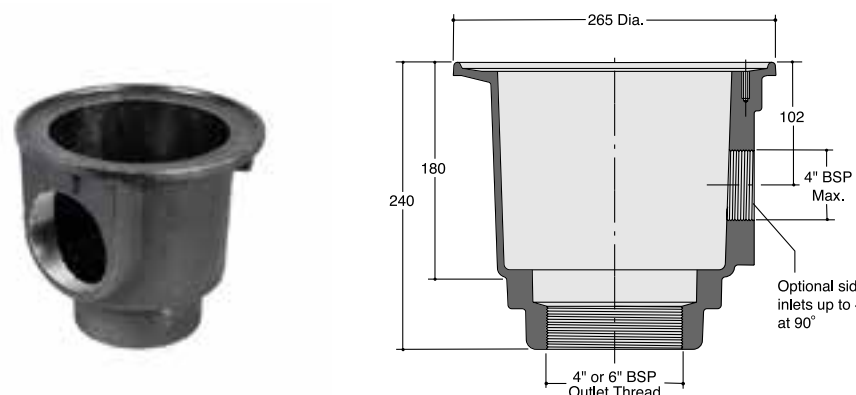


D2 Series



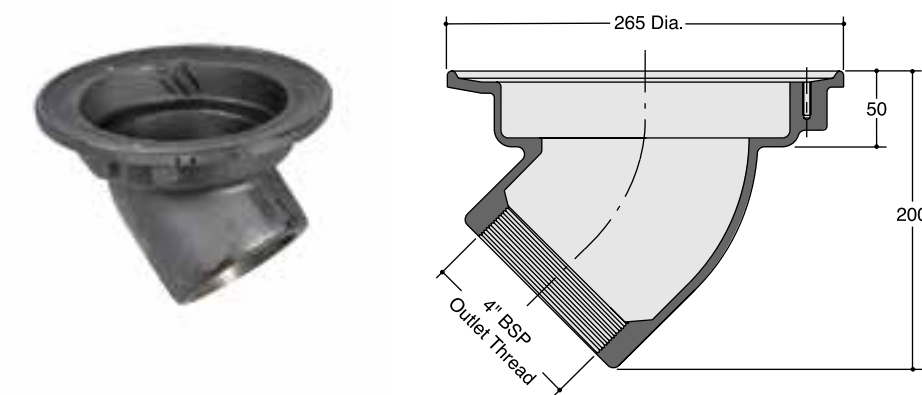
Outlet Size (BSP)	Free Area (cm ²)	Weight (kg)	Spec Code
4"	78	7.2	D204
6"	176	6.9	D206

D4 Series



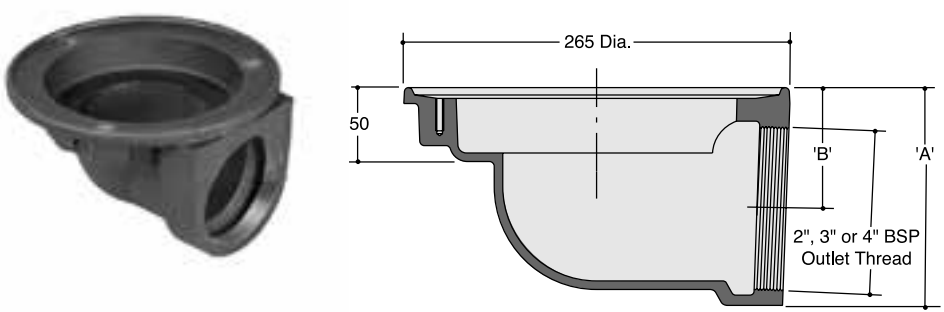
Outlet Size (BSP)	Free Area (cm ²)	Weight (kg)	Spec Code
4"	78	11.6	D404
6"	176	19.8	D406

D604



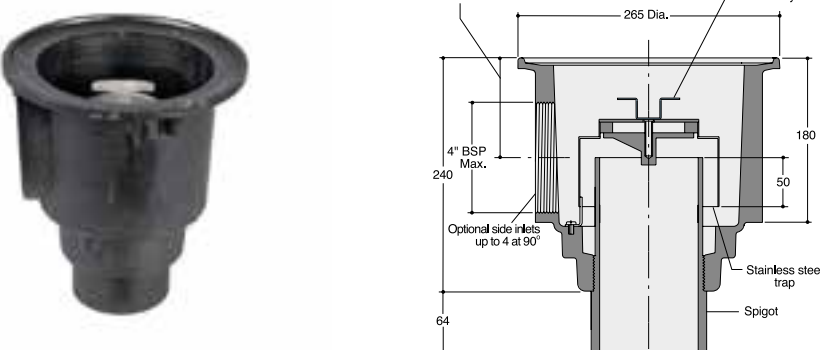
Outlet Size (BSP)	Free Area (cm ²)	Weight (kg)	Spec Code
4"	78	10.7	D604

D7 Series



Outlet Size (BSP)	Free Area (cm ²)	Weight (kg)	Spec Code
2"	19	7	D702
3"	44	6.5	D703
4"	78	10	D704

GD Series



Outlet Size (mm)	Free Area (cm ²)	Weight (kg)	Spec Code
110	78	17.3	GD144
117	78	17.3	GD164

Note:

- GD series body is bell trapped

Multi-Level Gully - m series assemblies

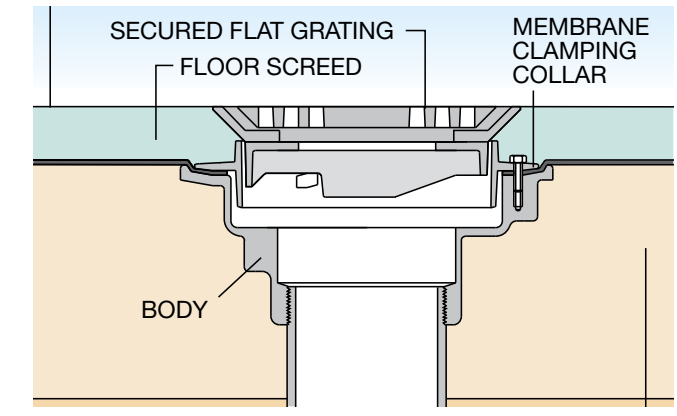
The M301 and M401 grate assembly, when combined with C.E2 collar offers high capacity drainage for large surface areas.

Key Features

- Cast Iron Circular grating (M301) and Ductile Iron Square (M401) with high quality sherardized coating.
- Rotating design allows height adjustment
- Compatible with E2 and E4 series Gully Bodies.

Technical - Did you know?

- C.E2 clamping collar is required for assembly and must be ordered separately, supplied with weepholes as standard.
- U401SS extension piece - can be stacked to achieve extra height.
- Side inlet options are available depending on gully body type.
- Bolt-on-funnels U502 and U602 can be used for indirect waste connection



Product accessories

	Page
Pipe Adaptors	43
Bolt-on-Funnels	45

Optional Extras

B - add suffix 'B' to grating spec code for stainless steel Filter Bucket

M301/M401 + C.E2 Adjustable Grating Assembly



M301



Note: Cast Iron Grating

M401



Note: Ductile Iron Grating

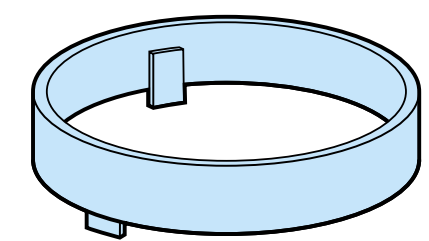
C.E2



Spec Code					Height Adjustability		
Grating	Collar	Load Rating	Free Area (cm ²)	Aperture size (mm)	Min (mm)	Max (mm)	Weight (kg)
M301	C.E2	L15	200	11	33	83	10.0
M401	C.E2	L15	300	12	61	111	10.0

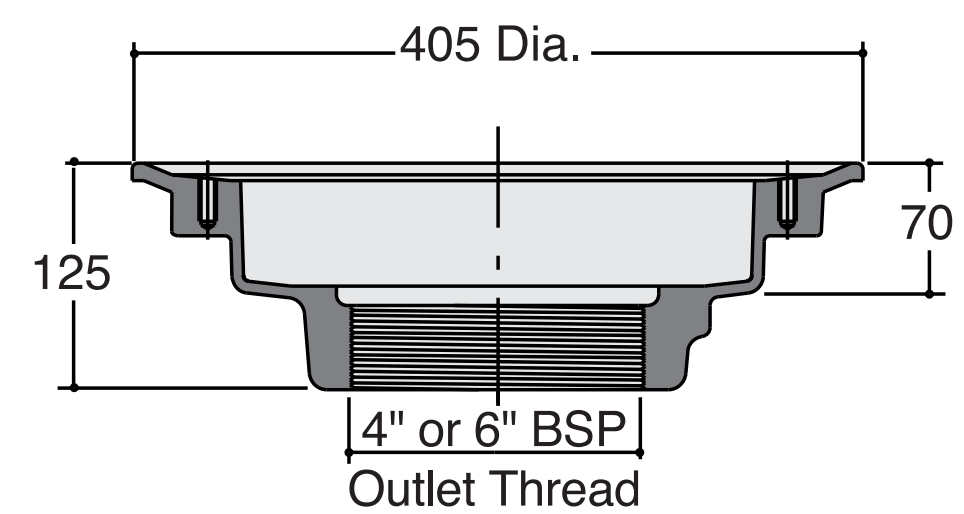
Optional Extras

U401SS Extension - increases height by 64mm. Can be stacked for extra height.

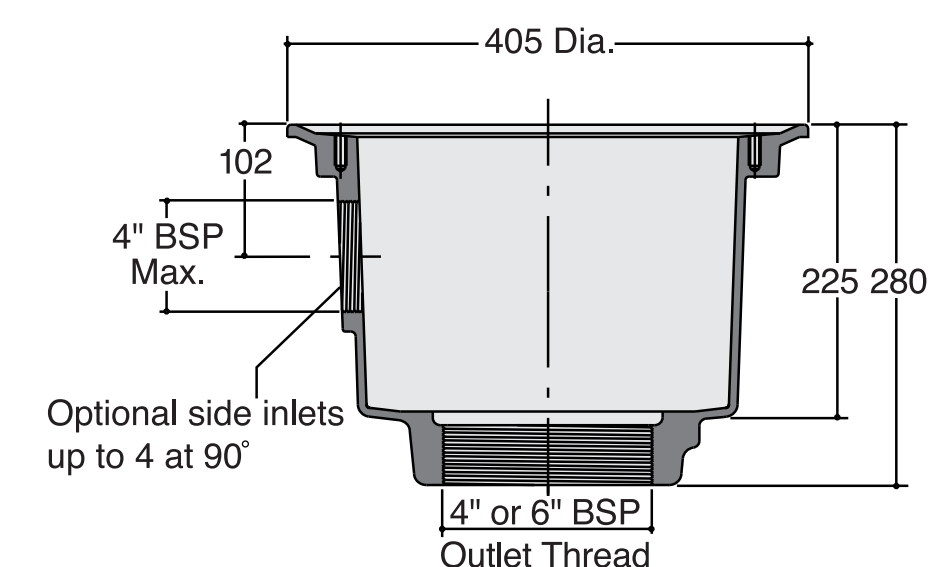


M301/M401 + C.E2 Body Options

Outlet Size (BSP)	Free Area (cm ²)	Weight (kg)	Spec Code
4"	76	17.7	E204
6"	176	12.0	E206



Outlet Size (BSP)	Free Area (cm ²)	Weight (kg)	Spec Code
4"	78	29.4	E404
6"	176	29.0	E406



Multi-Level Gullies - shallow sump

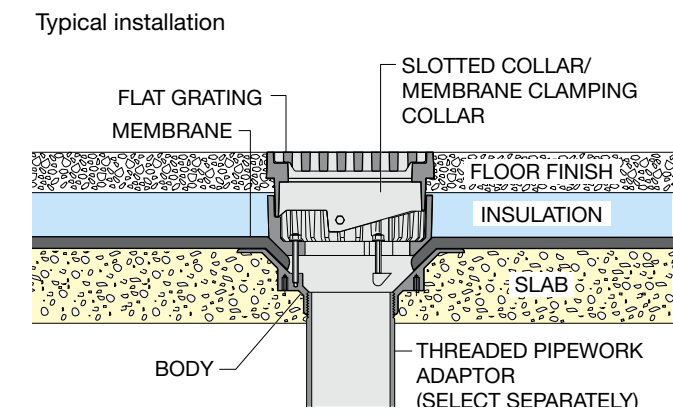
WD20 - WD23 Series gullies for areas subject to light vehicular traffic, requiring surface and sub-surface drainage over a sub-surface membrane.

Key Features

- L15 Load Class Ductile Iron Grating with high quality sherardized coating
- Rotating design allows for height adjustment
- Slotted collar provides sub-surface drainage

Technical - Did you know?

- The slotted collar also serves as membrane clamping collar
- WD20 - WD23 series are supplied as complete units
- Extension Pieces - add the spec code for extension pieces from the table;



Spec Code	Height
WG502	35mm
WG501	96mm

Product accessories

Product	Page
Pipe Adaptors	43

Optional Extras

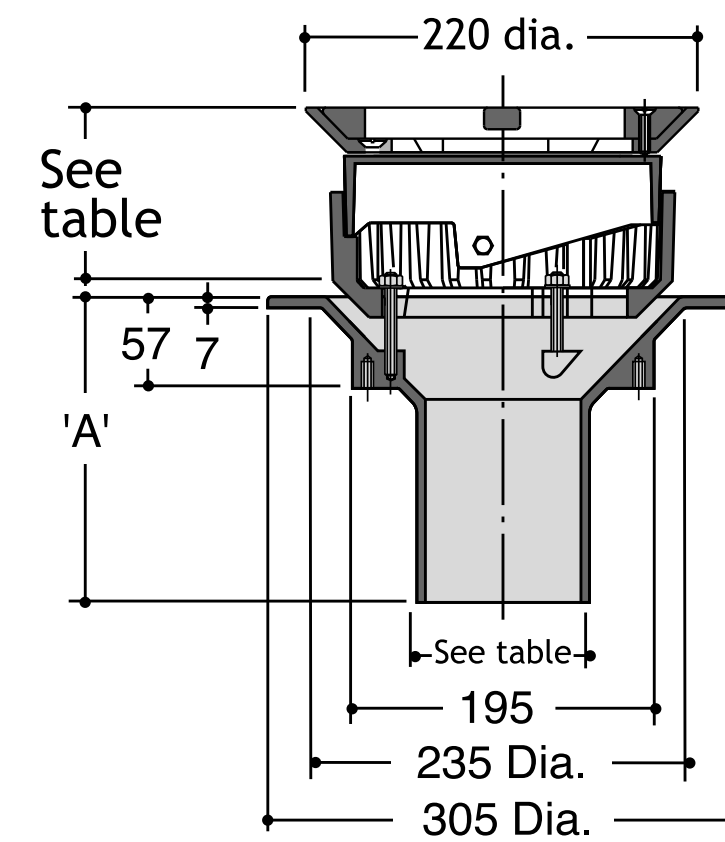
WG301 - add Spec code WG301 for Stainless Steel Filter Bucket

WD20 Series Vertical Spigot Outlet - circular grate

CI

Outlet Size (mm)	Free Area (cm ²)	A (mm)	Weight (kg)	Spec Code
60	19	238	13.7	WD202
87	44	165	12.5	WD203
112	78	190	12.3	WD204

Height Adjustability	
Min (mm)	Max (mm)
78	105

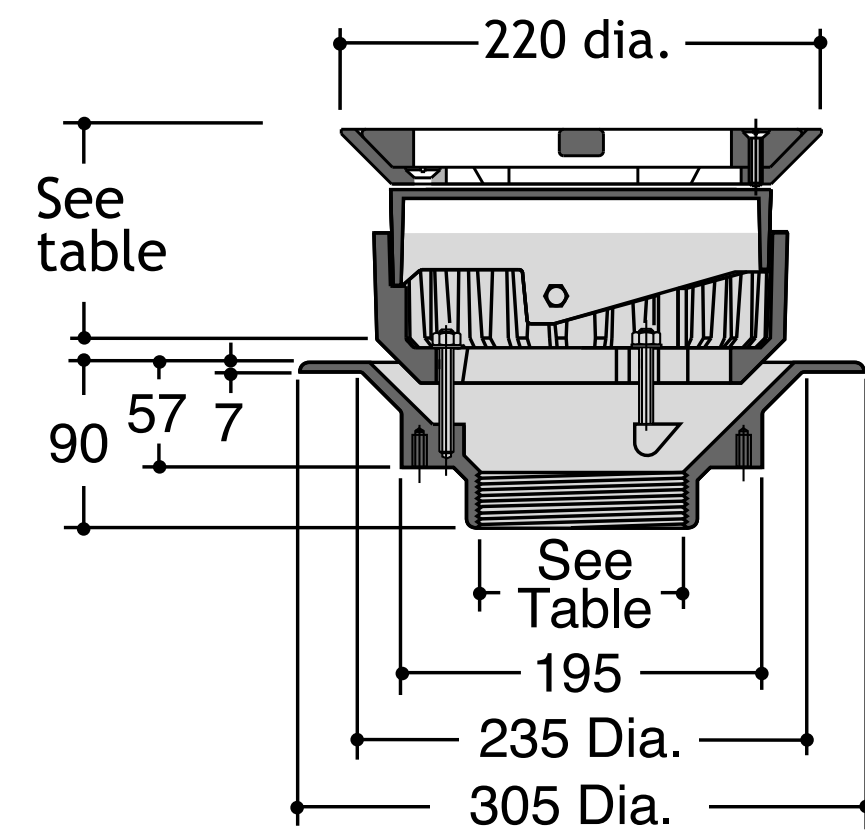


WD22 Series Vertical Threaded Outlet - circular grate

CI

Outlet Size (BSP)	Free Area (cm ²)	Weight (kg)	Spec Code
2"	19	12.7	WD222
3"	44	11.7	WD223
4"	78	11.1	WD224

Height Adjustability	
Min (mm)	Max (mm)
78	105

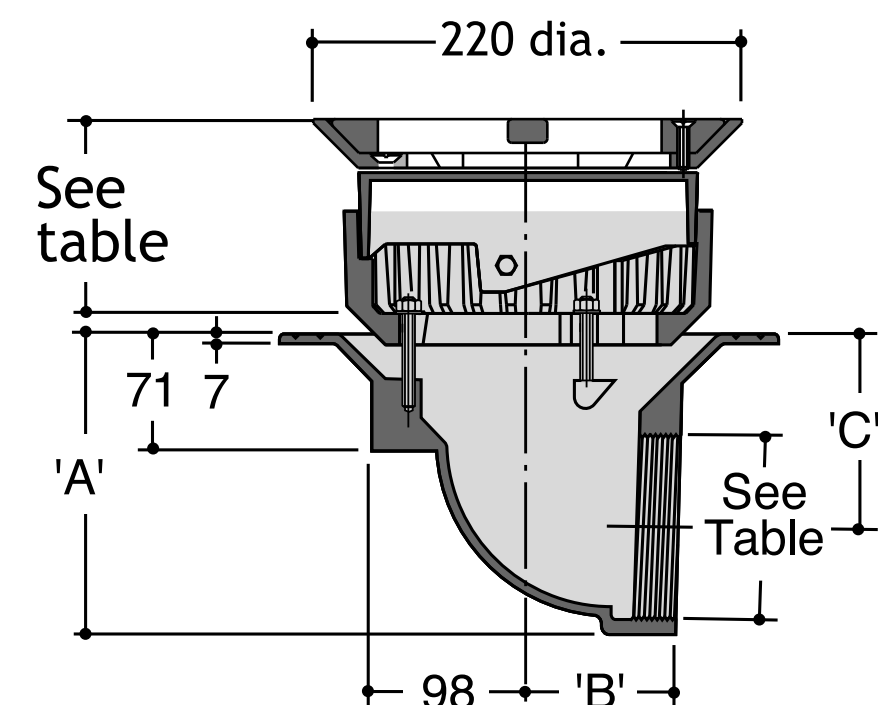


WD23 Series Horizontal Threaded Outlet - circular grate

CI

Outlet Size (BSP)	Free Area (cm ²)	A (mm)	B (mm)	C (mm)	Weight (kg)	Spec Code
2"	19	119	145	80	13.8	WD232
3"	44	119	145	67	13.2	WD233
4"	78	183	90	117	15.0	WD234

Height Adjustability	
Min (mm)	Max (mm)
78	105



Multi-Level Gullies - shallow sump

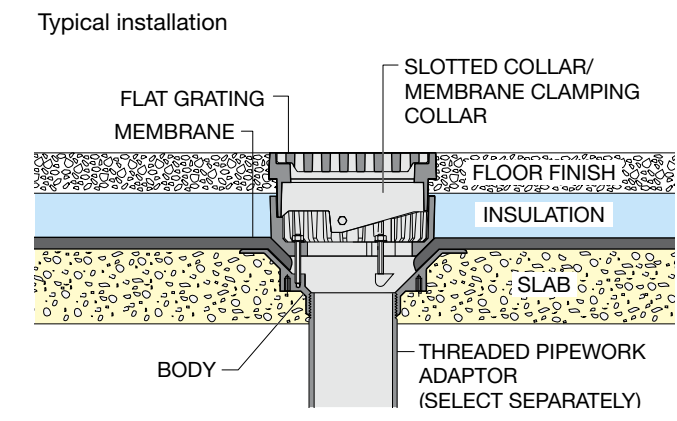
WD30 - WD33 Series gullies for areas subject to light vehicular traffic, requiring surface and sub-surface drainage over a sub-surface membrane.

Key Features

- L15 Load Class Ductile Iron Grating with high quality sherardized coating
- Rotating design allows for height adjustment
- Slotted collar provides sub-surface drainage

Technical - Did you know?

- The slotted collar also serves as membrane clamping collar
- WD30 - WD33 series are supplied as complete units
- Extension Pieces - add the spec code for extension pieces from the table to the right.



Product accessories

	Page
Pipe Adaptors	43

Optional Extras

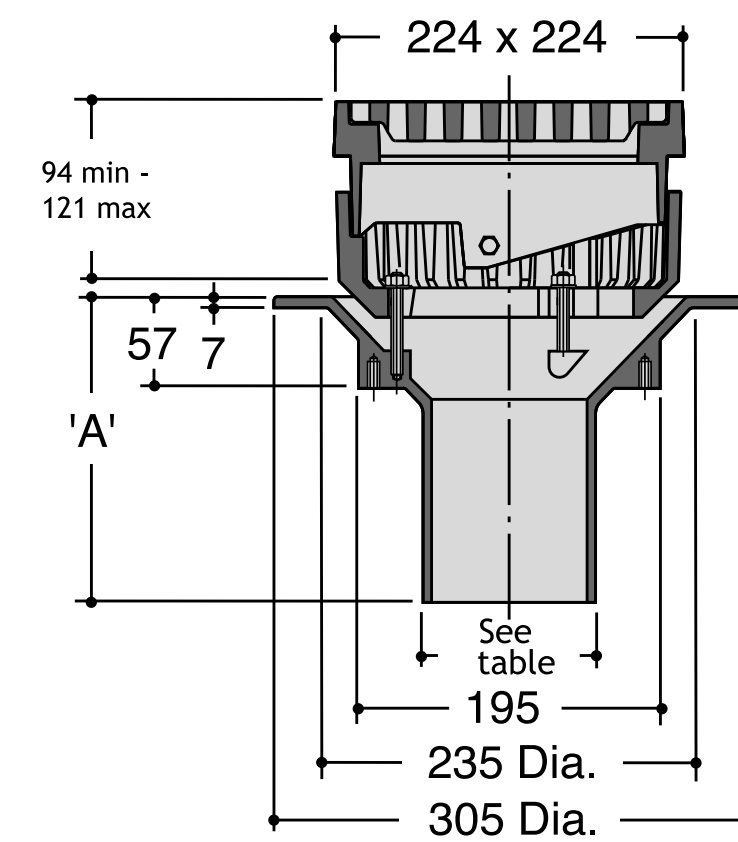
WG301 - add Spec code WG301 for Stainless Steel Filter Bucket

Spec Code	Height
WG502	35mm
WG501	96mm

WD30 Series Vertical Spigot Outlet - square grate

CI

Outlet Size (mm)	Free Area (cm ²)	A (mm)	Weight (kg)	Spec Code
60	19	238	14.9	WD302
87	44	165	12.6	WD303
112	78	190	13.5	WD304

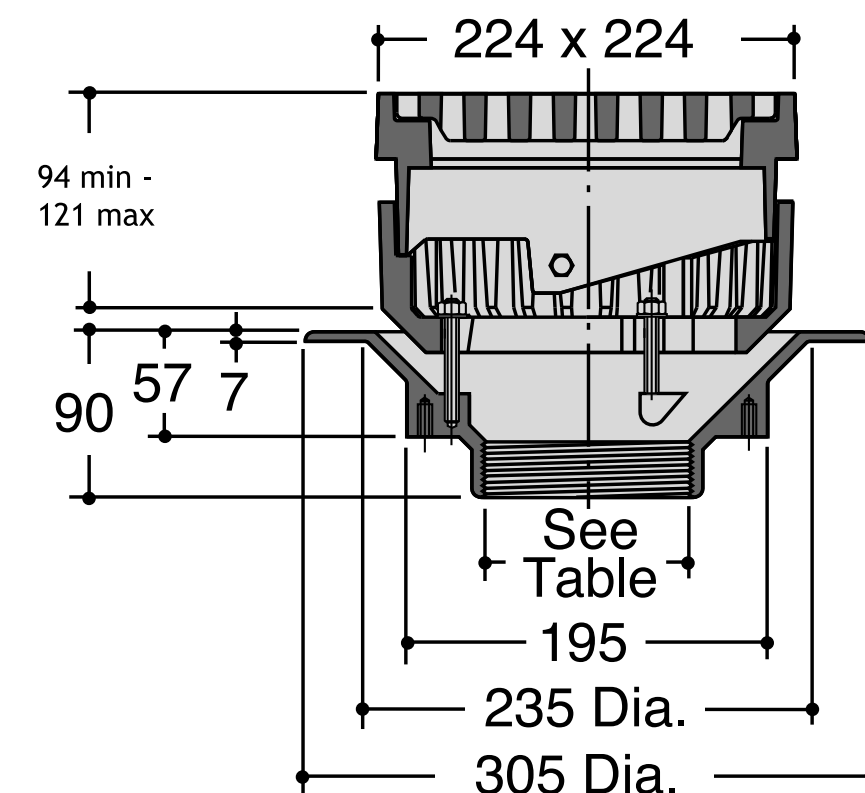


Height Adjustability	
Min (mm)	Max (mm)
94	121

WD32 Series Vertical Threaded Outlet - square grate

CI

Outlet Size (BSP)	Free Area (cm ²)	Weight (kg)	Spec Code
2"	19	13.9	WD322
3"	44	12.9	WD323
4"	78	12.3	WD324

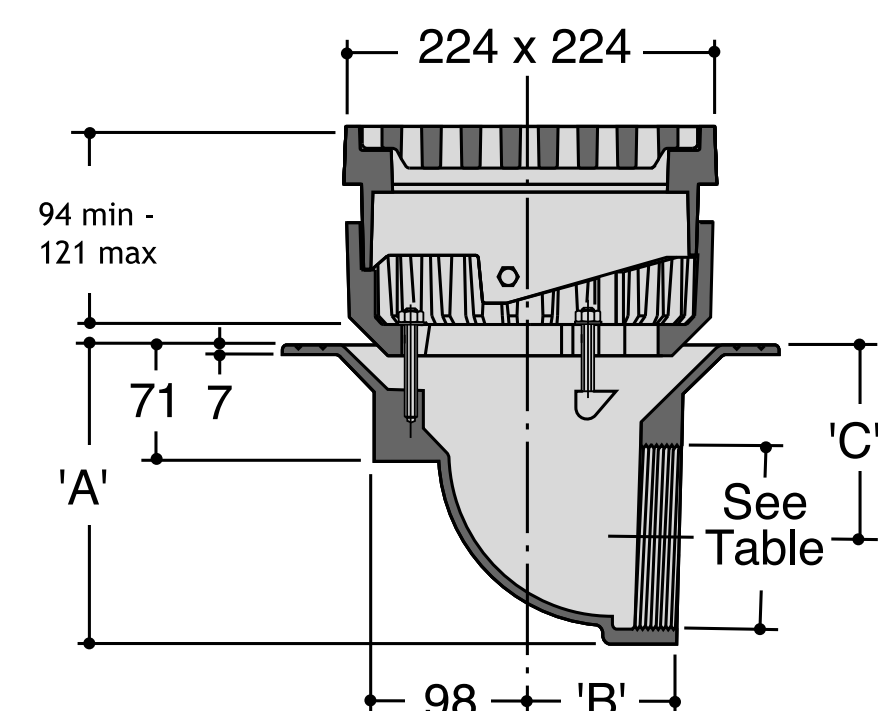


Height Adjustability	
Min (mm)	Max (mm)
94	121

WD33 Series Horizontal Threaded Outlet - square grate

CI

Outlet Size (BSP)	Free Area (cm ²)	A (mm)	B (mm)	C (mm)	Weight (kg)	Spec Code
2"	19	119	145	80	15.0	WD332
3"	44	119	145	67	14.4	WD333
4"	78	183	90	117	16.2	WD334



Height Adjustability	
Min (mm)	Max (mm)
94	121

Multi-Level Gullies - shallow sump

WD70 - WD73 Series gullies for areas subject to pedestrian traffic, requiring surface and sub-surface drainage over a lower-level membrane.

Key Features

- K3 Load Class Stainless Steel Grating with streamline 5mm slot, suitable for pedestrian areas.
- Rotating design allows for height adjustment
- Slotted collar provides sub-surface drainage

Product accessories

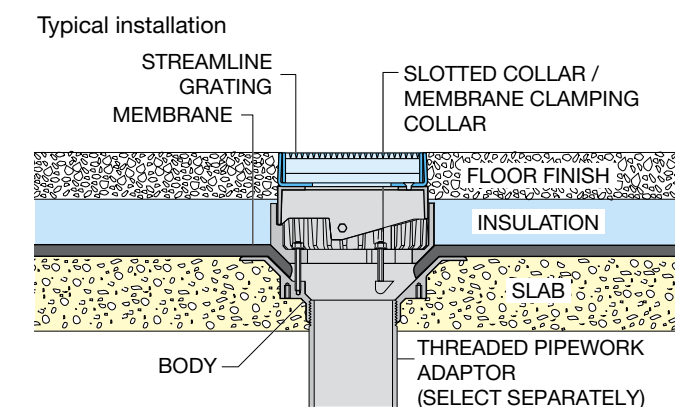
	Page
Pipe Adaptors	43

Technical - Did you know?

- The slotted collar also serves as membrane clamping collar
- WD70 - WD73 series are supplied as complete units
- Extension Pieces - add the spec code for extension pieces from the table to the right.

Optional Extras

WG301 - add Spec code WG301 for Stainless Steel Filter Bucket

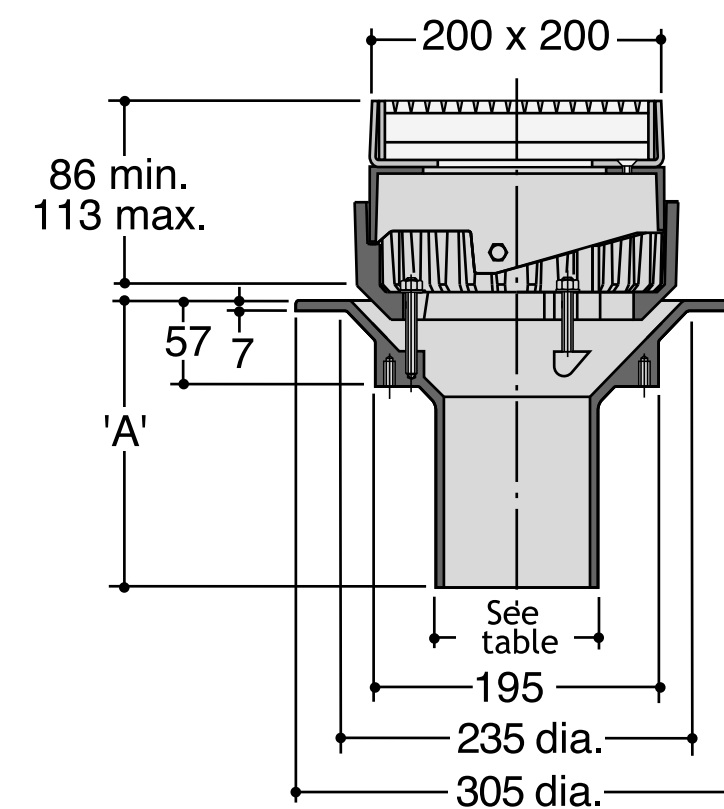


Spec Code	Height
WG502	35mm
WG501	96mm

WD70 Series Vertical Spigot Outlet - Square Gate

SS CI

Outlet Size (mm)	Free Area (cm ²)	A (mm)	Weight (kg)	Spec Code
60	19	238	13.3	WD702
87	44	165	12.1	WD703
112	78	190	11.9	WD704

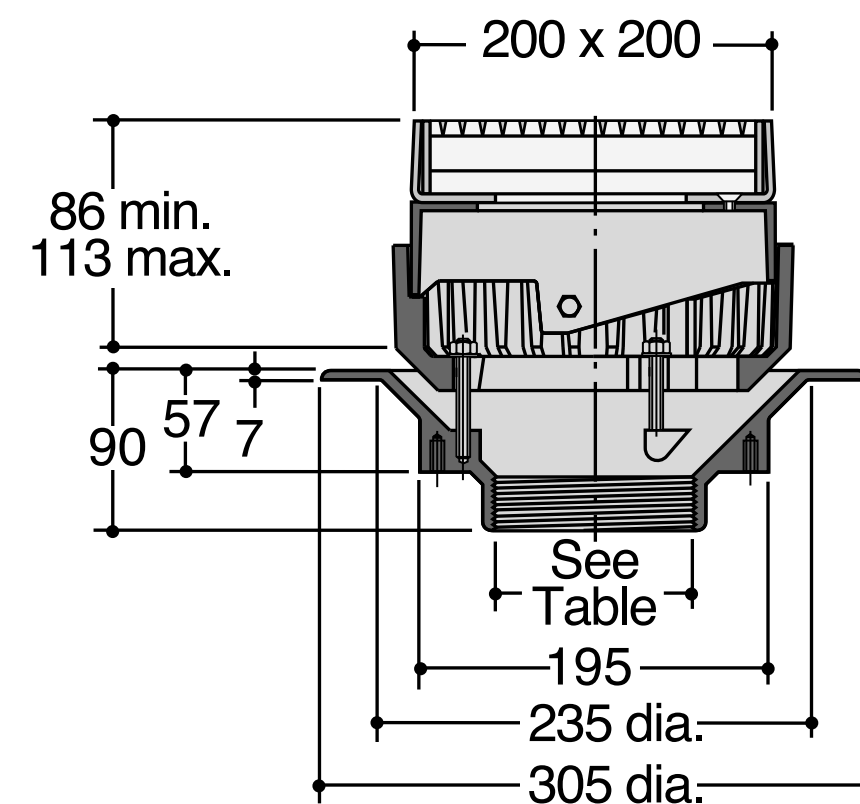


Height Adjustability	
Min (mm)	Max (mm)
86	113

WD72 Series Vertical Threaded Outlet - Square Gate

SS CI

Outlet Size (BSP)	Free Area (cm ²)	Weight (kg)	Spec Code
2"	19	12.3	WD722
3"	44	11.3	WD723
4"	78	10.7	WD724

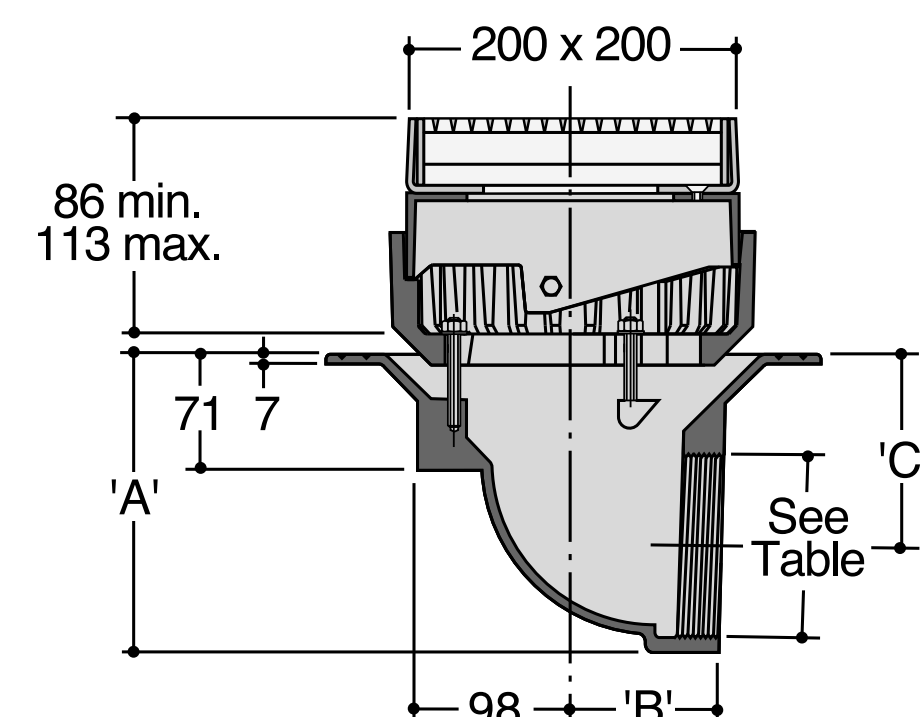


Height Adjustability	
Min (mm)	Max (mm)
86	113

WD73 Series Horizontal Threaded Outlet - Square Gate

SS CI

Outlet Size (BSP)	Free Area (cm ²)	A (mm)	B (mm)	C (mm)	Weight (kg)	Spec Code
2"	19	119	145	80	13.4	WD732
3"	44	119	145	67	12.8	WD733
4"	78	183	90	117	14.6	WD734



Height Adjustability	
Min (mm)	Max (mm)
86	113

Multi-Level Gullies - deep sump

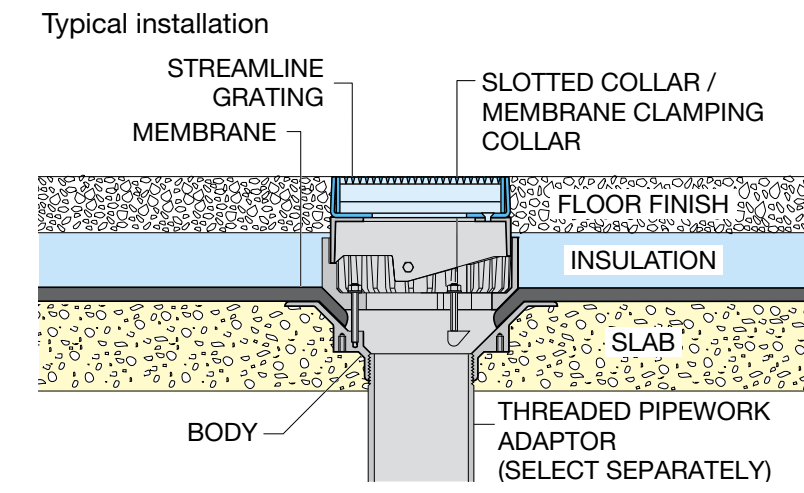
WD51 - WD64 Series deep sump gullies for areas subject to pedestrian traffic, requiring surface and sub-surface drainage over a lower-level membrane.

Key Features

- L15 (WD64 Range K3) Load Class Stainless Steel Gratings in Circular Ductile Iron, Square Ductile Iron and Square Stainless Steel
- Rotating design allows for height adjustment
- Slotted collar provides sub-surface drainage

Technical - Did you know?

- The slotted collar also serves as membrane clamping collar
- WD51 - WD64 series are supplied as complete units
- Extension Pieces - add the spec code for extension pieces from the table to the right.



Product accessories

	Page
Pipe Adaptors	43

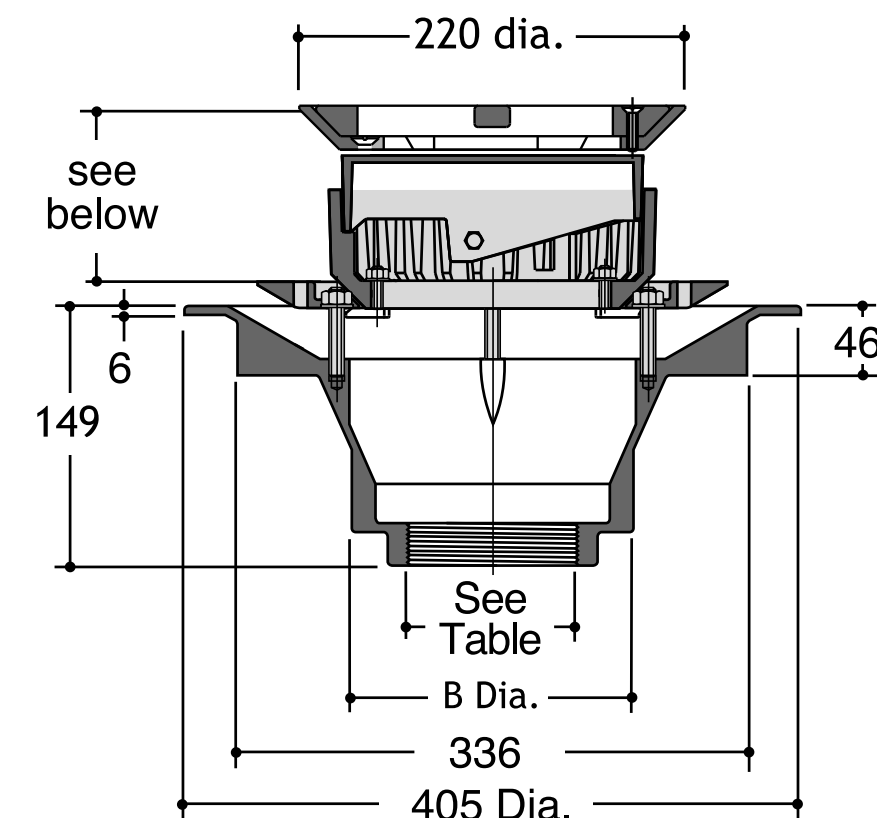
Spec Code	Height
WG502	35mm
WG501	96mm

WD51 Series Vertical Threaded Outlet - Circular Grate



Outlet Size	Free Area (cm ²)	Weight (kg)	Spec Code
4" BSP	78	20.1	WD514
6" BSP	176	17.6	WD516
210mm Spigot	314	21.0	WD518

Height Adjustability	
Min (mm)	Max (mm)
91	117

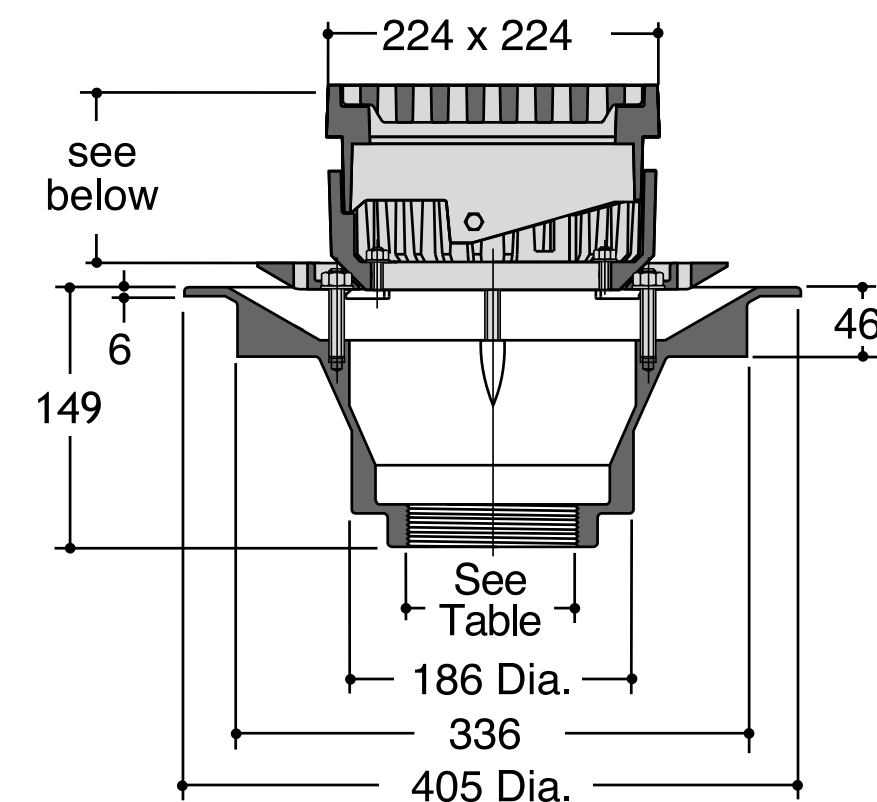


WD61 Series Vertical Threaded Outlet - Square Grate

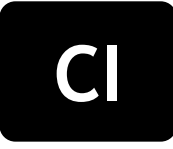


Outlet Size	Free Area (cm ²)	Weight (kg)	Spec Code
4" BSP	78	21.3	WD614
6" BSP	176	18.8	WD616
210mm Spigot	314	22.1	WD618

Height Adjustability	
Min (mm)	Max (mm)
106	133

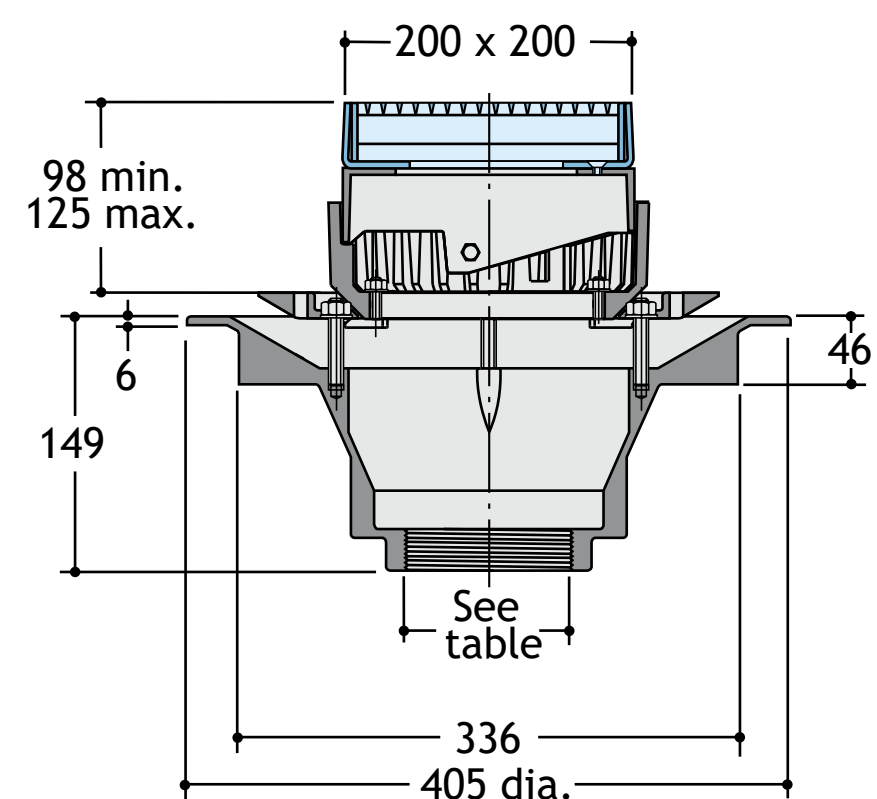


WD64 Series Vertical Threaded Outlet - Square Grate



Outlet Size	Free Area (cm ²)	Weight (kg)	Spec Code
4" BSP	78	19.7	WD644
6" BSP	176	17.6	WD646
210mm Spigot	314	17.6	WD648

Height Adjustability	
Min (mm)	Max (mm)
98	125



Multi-Level Gullies - deep sump

F20 - F30 Series heavy duty deep sump gullies for use in car parks, yards, warehouses and plant rooms.

Key Features

- F20 and F30 ductile iron grating has a load rating of M125
- F21 stainless steel grating has a load rating of P400
- Height adjustable

Product accessories

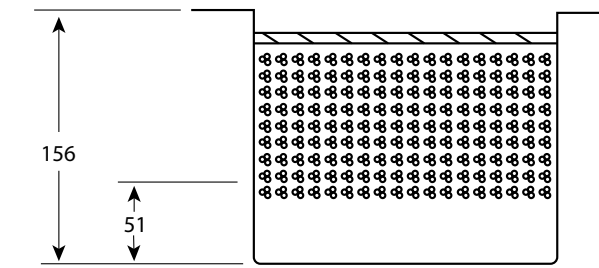
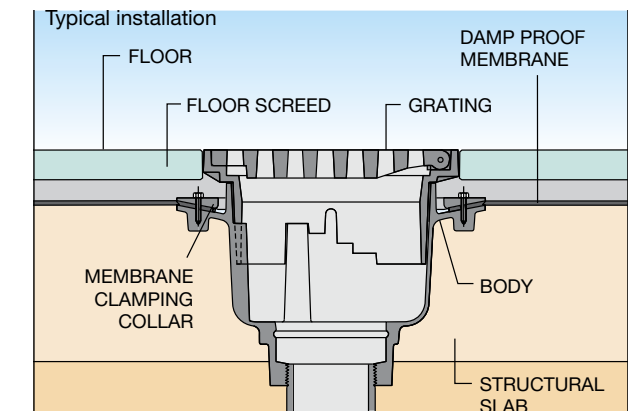
	Page
Pipe Adaptors	43

Technical - Did you know?

- Gratings are hinged and supplied with weepholes as standard.
- Membrane clamping collar is optional.
- Height adjustability - The grating sits in an adjustable collar; rotating the upper section by a quarter turn will adjust the height in 11mm increments

Optional Extras

- B - add suffix 'B' for stainless steel Silt Bucket (F20 and F30 only)
- T - add suffix 'T' for removable bell trap (F30 only)



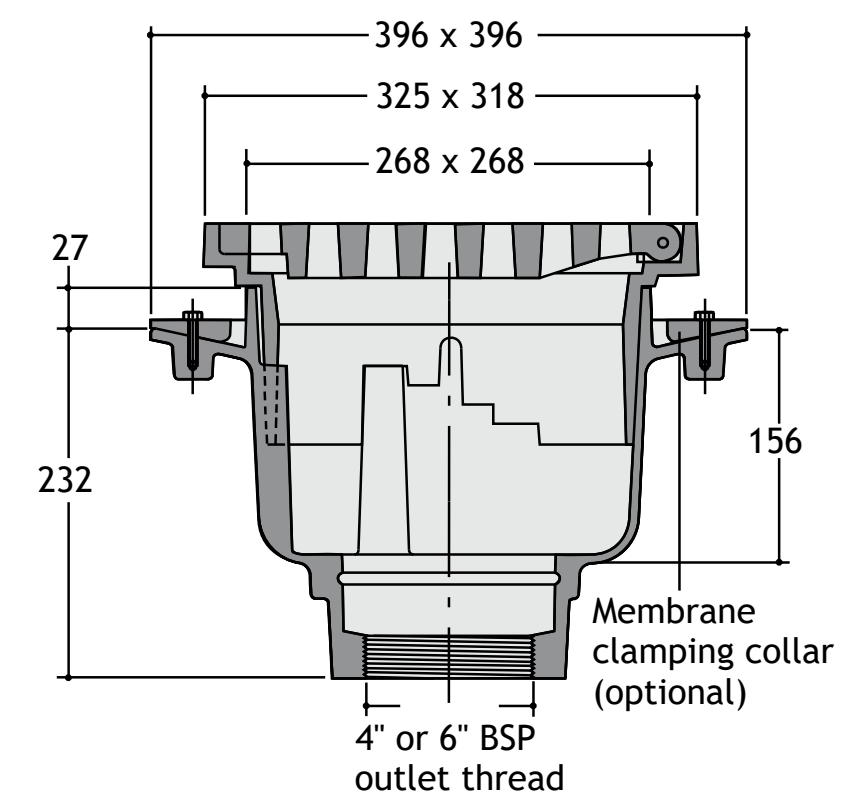
F20 Series Vertical Threaded Outlet - deep sump

DI CI

Outlet Size (BSP)	Free Area (cm ²)	Load Rating	Aperture (mm)	Weight (kg)	Spec Code	
					Collar (Optional)	Body
4"	280	M125	19	42.8	C.F2	F204
6"	280	M125	19	42.8	C.F2	F206

Height Adjustability	
Min (mm)	Max (mm)
70	106

Optional Collar



Note: *Grating seat must be fully supported to achieve load rating class.

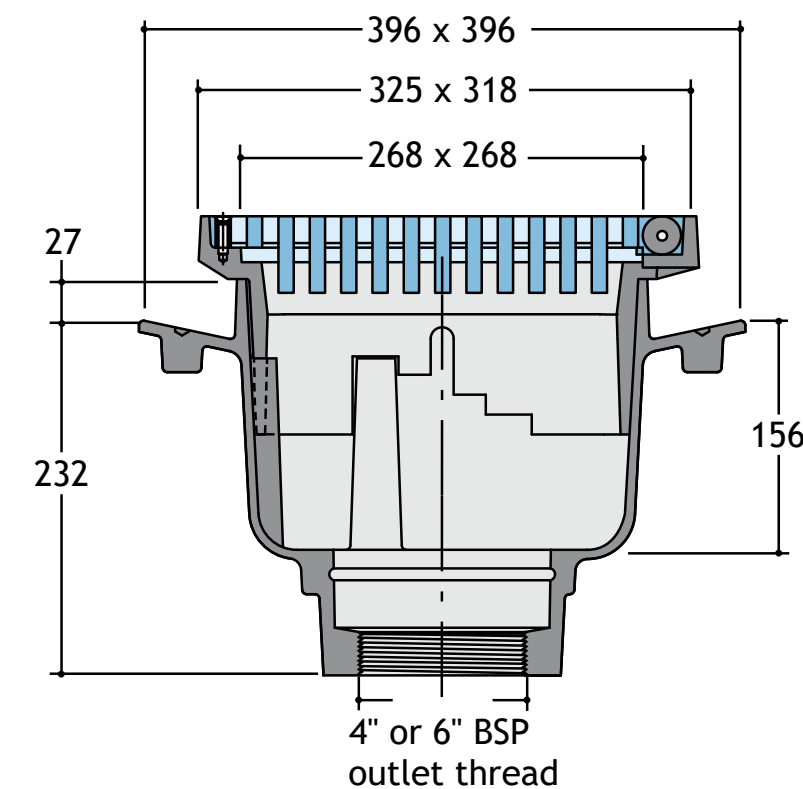
F21 Series Vertical Threaded Outlet - deep sump

SS CI

Outlet Size (BSP)	Free Area (cm ²)	Load Rating	Aperture (mm)	Weight (kg)	Spec Code	
					Collar	Body
4"	280	P400*	19	49.3	C.F2	F214
6"	280	P400*	19	49.3	C.F2	F216

Height Adjustability	
Min (mm)	Max (mm)
70	106

Optional Collar



Note: *Grating seat must be fully supported to achieve load rating class.

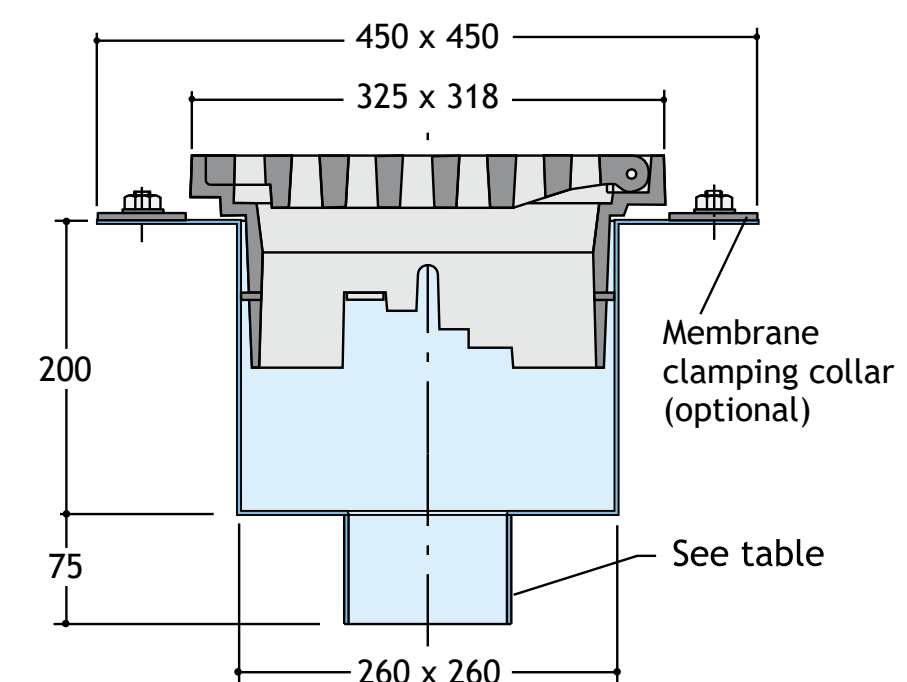
F30 Series Vertical Spigot Outlet - deep sump

DI SS CI

Outlet Size (mm)	Free Area (cm ²)	Load Rating	Aperture (mm)	Weight (kg)	Spec Code	
					Collar	Body
114	280	M125	19	24.3	C.F3	F304
162	280	M125	19	24.7	C.F3	F306

Height Adjustability	
Min (mm)	Max (mm)
46	82

Optional Collar



Note: *Grating seat must be fully supported to achieve load rating class.

Multi-Level Gullies - trapped

Q2434 and Q2334 stainless steel drain gullies are suitable for use in high specification applications such as food preparation with tiled, resin and concrete floors.

Key Features

- Suitable for tiled, resin and concrete floor finishes
- Grade 304 SS drain bodies with optional Grade 316 available on request
- A choice of six Gratings, to specify grating use spec code
- Body allows for up to 4 (Q2334 max 3) side inlets, see page 29 to specify

Product accessories

	Page
Filter Buckets, Traps & Bolt-on-Funnels	45

Technical - Did you know?

- The Grate height adjustability is 47mm - 72mm
- Can be used without a membrane clamping collar, if required see below options.

Optional Extras

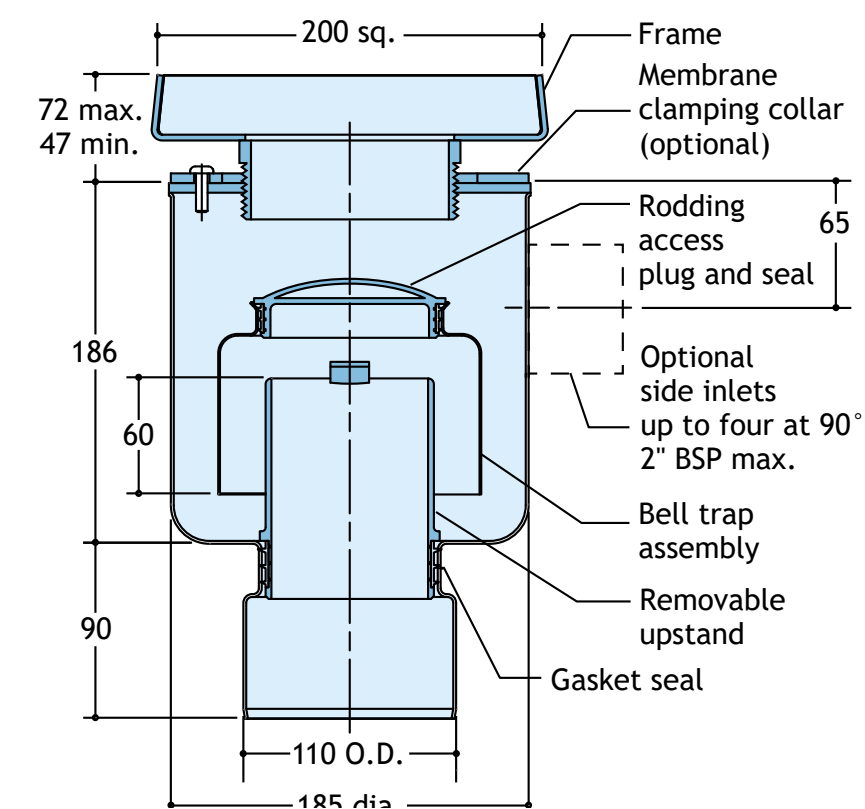
- M - For Grade 316 add suffix 'M' to the code
- C - For clamping collar add Suffix 'C' to the spec code.
- W - For Weepholes (to provide supplementary drainage at membrane level) add Suffix 'W'
- A - Add suffix 'A' for Asphalt flange
- B - Add suffix 'B' for filter bucket



Q2434 Vertical Outlet - Bell Trapped - 60mm Seal

SS

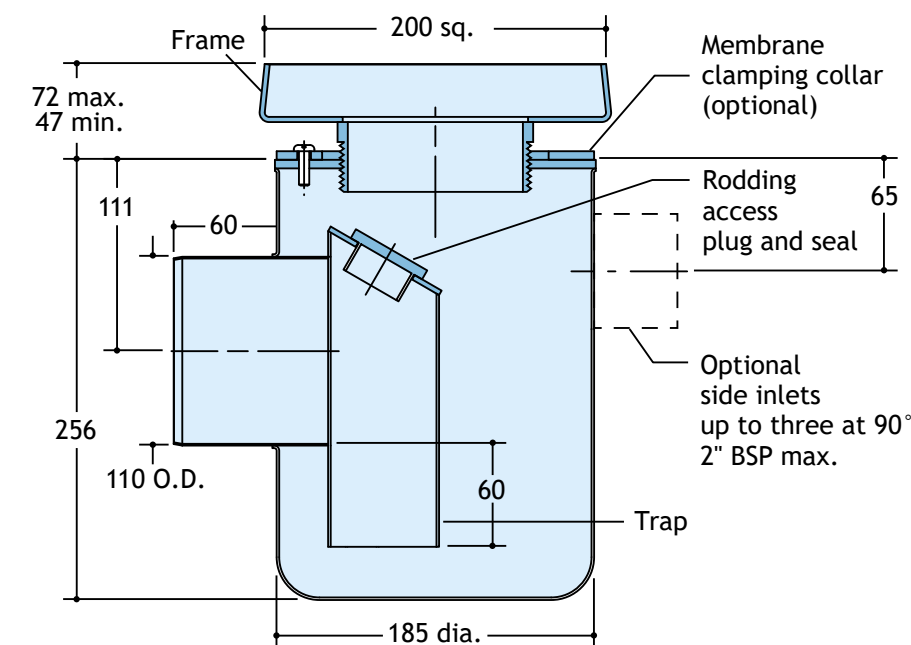
Outlet Size (mm)	Free Area (cm ²)	Weight (kg)	Spec Code
110	51	4.2	Q2434



Q2334 Horizontal Outlet - P Trapped - 60mm Seal

SS

Outlet Size (mm)	Free Area (cm ²)	Weight (kg)	Spec Code
100	60	4.9	Q2334



Gratings

SS

Q4232



Q5232



Q6230



Q6430



Q9233



U5232



Product Code	Length (mm)	Width (mm)	Depth (mm)	Aperture size (mm)	Free Area (cm ²)	Load Rating	Weight (kg)
Q4232	192	192	30	23x23	290	L15	1.2
Q5235	192	192	30	23x23	290	L15	1.3
Q6230	192	192	30	8 Ø	61	K3	1.1
Q6430	192	192	30	8x8	77	K3	1.1
Q9233	192	192	30	5	216	L15	1.2
U5232	192	192	30	55 Ø	95	K3	0.8

Optional Extras

You can add a bolt on funnel to your grating for additional functionality.



U511



U611

Multi-Level Gullies - trapped - deep sump

QG2434V and QG2334V stainless steel drain gullies are suitable for use in high specification applications such as clean rooms and food preparation with flexible sheet flooring.

Key Features

- Grade 304 S/S, optional Grade 316 available on request
- For use with flexible sheet flooring up to 3.5mm thickness
- A choice of six Gratings, to specify grating use spec code
- Body allows for up to 4 (max 3 on Q2334V) side inlets, see page 29 to specify

Product accessories

	Page
Filter Buckets, Traps & Bolt-on-Funnels	45

Technical - Did you know?

- The Grate height adjustability is 65mm - 90mm
- Can be used without a membrane clamping collar, if required see below options.

Optional Extras

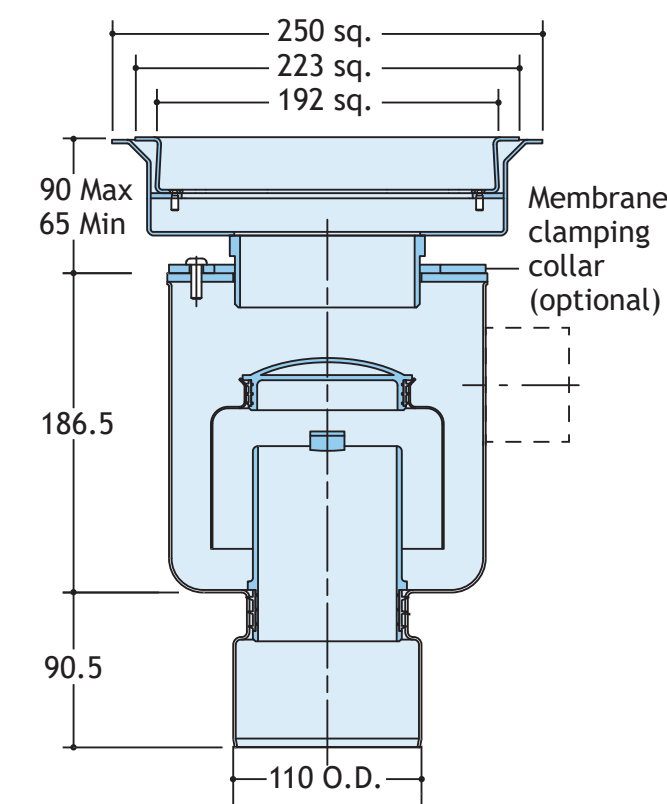
- M - For Grade 316 add suffix 'M' to the code
- B - Add suffix 'B' for filter bucket



Q2434V Vertical Outlet - Bell Trapped - 60mm Seal

SS

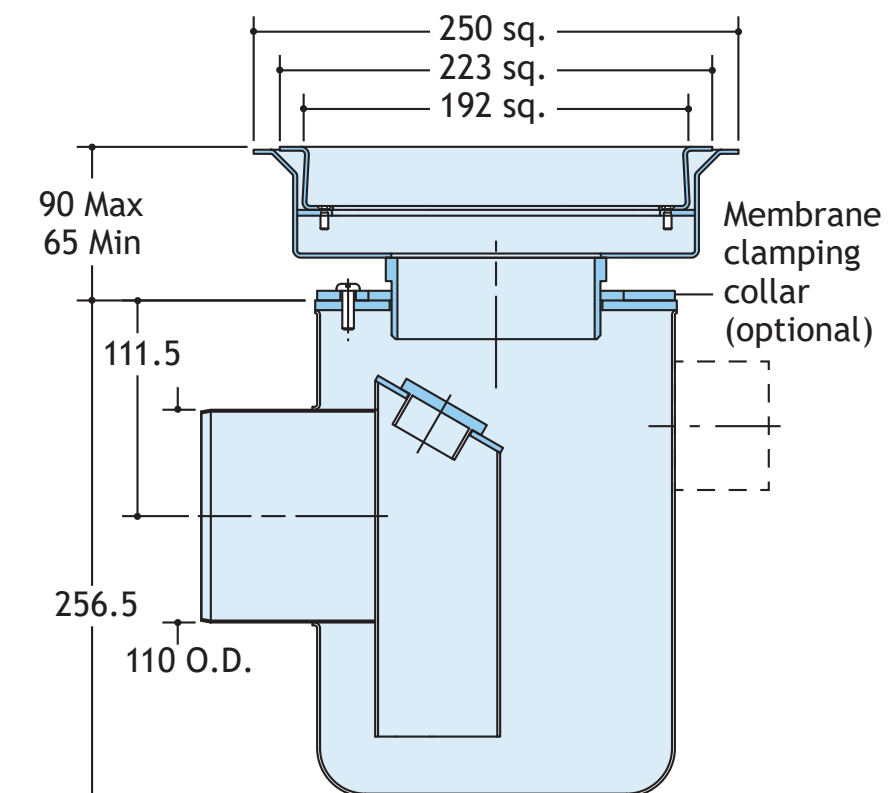
Outlet Size (mm)	Free Area (cm ²)	Weight (kg)	Spec Code	
			Collar	Body
100	51	4.2	Opt.	Q2434V



Q2334V Horizontal Outlet - P Trapped - 60mm Seal

SS

Outlet Size (mm)	Free Area (cm ²)	Weight (kg)	Spec Code	
			Collar	Body
100	60	4.9	Opt.	Q2334V



Gratings

SS

Q4232



Q5232



Q6230



Q6430



Q9233



U5232



Product Code	Length (mm)	Width (mm)	Depth (mm)	Aperture size (mm)	Free Area (cm ²)	Load Rating	Weight (kg)
Q4232	192	192	30	23x23	290	L15	1.2
Q5235	192	192	30	23x23	290	L15	1.3
Q6230	192	192	30	8 Ø	61	K3	1.1
Q6430	192	192	30	8x8	77	K3	1.1
Q9233	192	192	30	5	216	L15	1.2
U5232	192	192	30	55 Ø	95	K3	0.8

Optional Extras

You can add a bolt on funnel to your grating for additional functionality.



U511



U611

Fixed Height Units



Range Overview

Wade Fixed Height options comprise an extensive range of drainage solutions to suit most applications. The range is split into Fixed Height gullies and Direct Connection; each section is organised by material types and can be identified throughout by the material symbol.

Fixed Height Gullies - Pages 61-75



Fixed Height gullies have integral grating that provides a fixed height from the body to the grating, meaning they cannot be adjusted independently of each other.

The range offers a comprehensive array of configurations, with trapped and non-trapped options, to suit almost any application. The range includes cast iron, stainless steel, nickel bronze, and various plastic components.

Direct Connection - Pages 77-91



The Direct Connection floor drainage gratings and rodding eye ranges serve as an effective means of providing high quality drainage, trapped or non-trapped, directly onto proprietary pipework, allowing direct connection to 110mm pipework and other common sizes.

The range is split into Gratings (pages 78 and Rodding Eyes (pages 86).

Fixed Height Gullies - range summary

The standard range of Fixed Height gullies is available with cast iron, stainless steel or plastic gully bodies, and a wide selection of gratings. The range is organised by material type and can be identified throughout by the material symbol.

<p>CI Cast Iron Gullies - Pages 62-67</p> <p>DI An extensive range of cast iron Fixed Height gullies, with multiple outlet configurations. Available in shallow and deep sump variants, with circular or square grating options.</p> <p>NB</p> <p>SS</p>	
<p>SS Stainless Steel Gullies - Pages 65-73</p> <p>CI Stainless steel Fixed Height gullies are available in Grade 304 or 316, trapped or non-trapped, with vertical and horizontal outlet configurations, and side-inlet options.</p> <p>DI</p> <p>NB For heavy duty deck gullies see page 71-73</p>	
<p>PL Shower Drains - Page 74-75</p> <p>SS ABS Plastic Shower Gullies are available as standard with 50mm trap with vertical and horizontal outlet configurations, and a range of attractive grate finishes for domestic and commercial use.</p> <p>NB</p>	
<p>CI Accessories - Page 91</p> <p>SS A selection of accessories is available for use with Fixed Height gullies, including bolt-on funnels, filter buckets, pipe adaptors, and other practical accessories for specialist applications.</p> <p>NB</p> <p>PL</p> <p>MS</p>	

Introduction

Design Considerations

Adjustable Height

Fixed Height

Bespoke

Specification

Fixed Height Gullies - non trapped

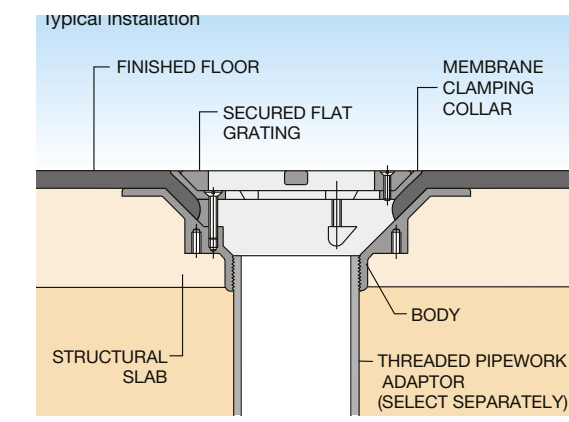
The WB30 - 33 series is suitable for areas subject to light vehicular traffic.

Key Features

- Circular Ductile Iron Grating with high quality sherardized coating
- Membrane clamping collar which also serves to connect the grating to the body (included)

Technical - Did you know?

- Sherardized protective coating is a high performance, maintenance free coating for cast iron and ductile Iron
- The membrane clamping collar and grate assembly is included



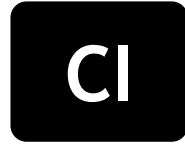
Product Accessories

	Page
Pipe Adaptors	91

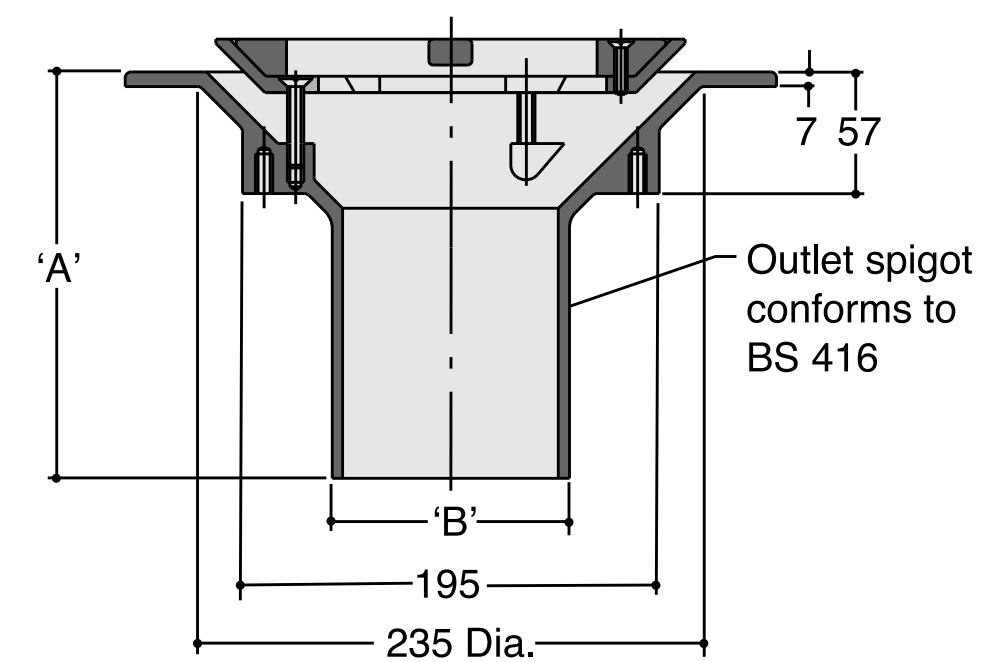
Optional Extras

WG301 - Add Spec code WG301 for A stainless steel filter bucket can be added

WB30 Series Vertical Spigot Outlet - shallow sump



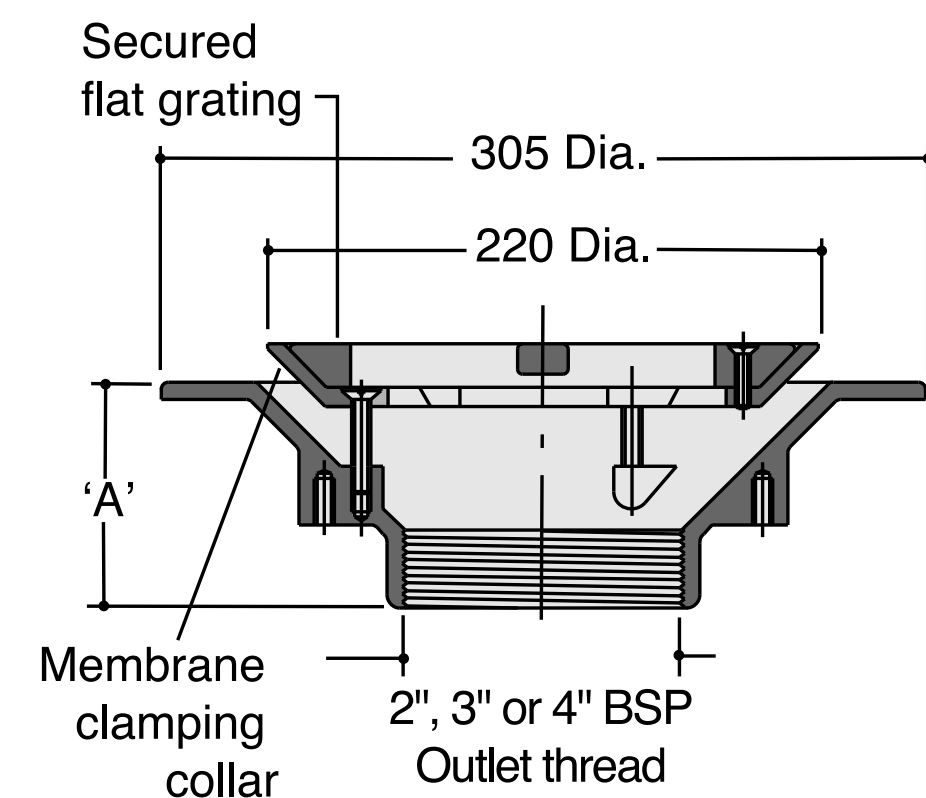
Outlet Size (mm)	Free Area (cm ²)	A (mm)	B (mm)	Load Rating	Aperture (mm)	Weight (kg)	Spec Code
60	19	238	60	L15	13	8.5	WB302
87	44	165	87	L15	13	6.5	WB303
112	78	190	112	L15	13	7.1	WB304



WB32 Series Vertical Threaded Outlet - shallow sump



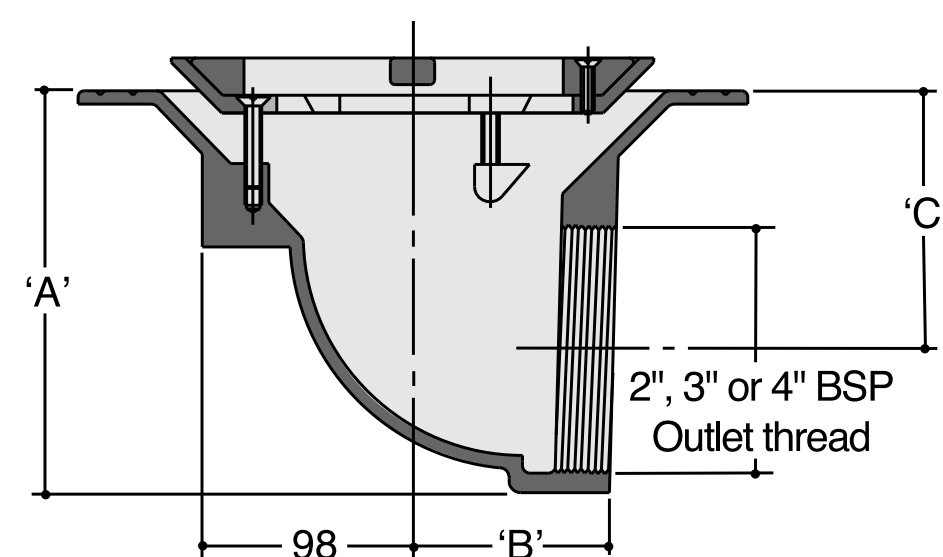
Outlet Size (BSP)	Free Area (cm ²)	A (mm)	Load Rating	Aperture (mm)	Weight (kg)	Spec Code
2"	19	90	L15	13	7.5	WB322
3"	44	90	L15	13	6.5	WB323
4"	78	90	L15	13	5.9	WB324



WB33 Series Horizontal Threaded Outlet - shallow sump



Outlet Size (BSP)	Free Area (cm ²)	A (mm)	B (mm)	C (mm)	Load Rating	Aperture (mm)	Weight (kg)	Spec Code
2"	19	119	145	80.5	L15	13	8.6	WB332
3"	44	119	145	67.5	L15	13	8.0	WB333
4"	78	183	90	117	L15	13	9.8	WB334



Fixed Height Gullies - non trapped

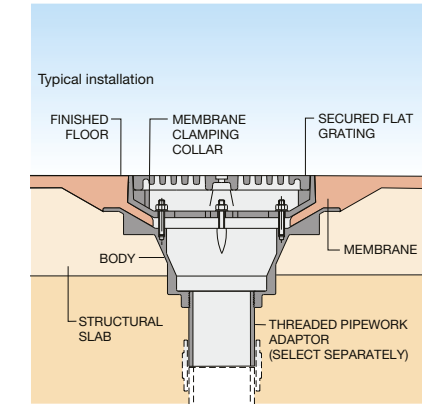
WB51 series has a deep sump body and is suitable for areas subject to light vehicular traffic.

Key Features

- Square Ductile Iron Grating with high quality sherardized coating
- Membrane clamping collar which also serves to connect the grating to the body (included)

Technical - *Did you know?*

- Sherardized protective coating is a high performance, maintenance free coating for cast iron and ductile Iron
- The membrane clamping collar and grate assembly is included



Product Accessories

	Page
Pipe Adaptors	91

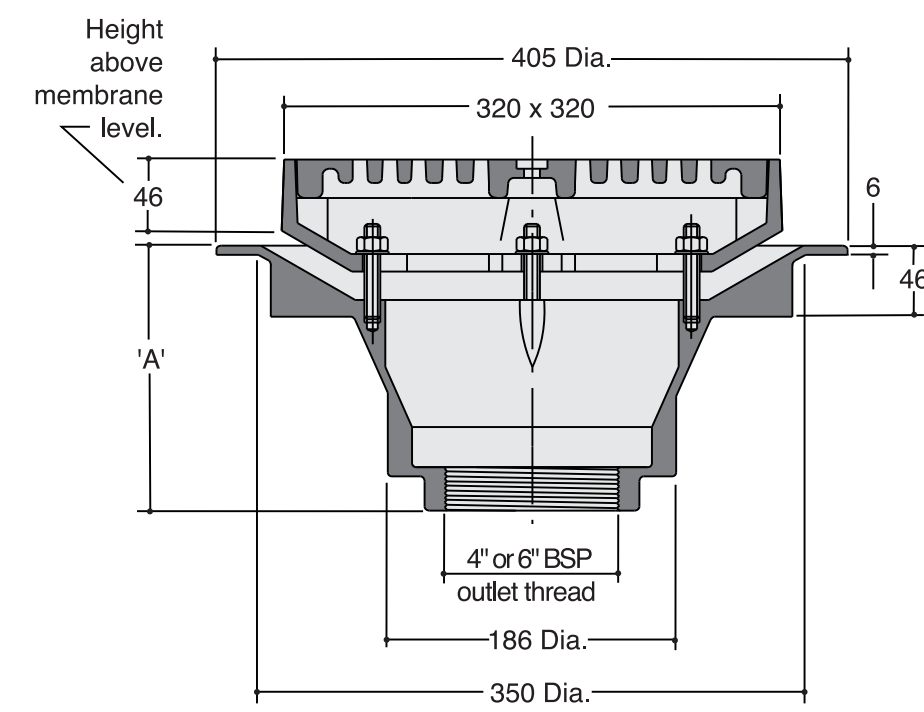
Optional Extras

WH402 - Add Spec code WH402 for A stainless steel filter bucket can be added



WB51 Series Vertical Threaded Outlet - deep sump

Outlet Size (BSP)	Free Area (cm ²)	A (mm)	Load Rating	Aperture (mm)	Weight (kg)	Spec Code
4"	78	171	M125	9	26.4	WB514
6"	176	149	M125	9	23.9	WB516



90° Gullies

The P14 series is a flush fitting non trapped gully for use in areas where drainage is required at a junction of a wall and floor.

Key Features

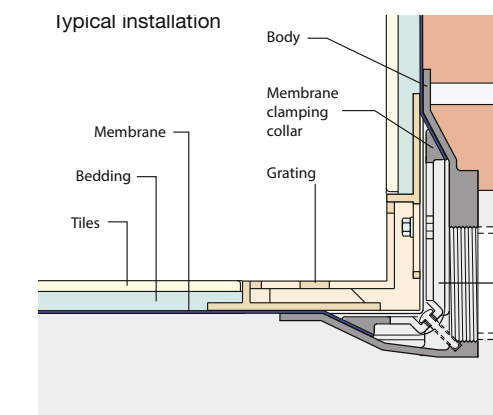
- Cast iron body with BSP threaded outlet, designed for horizontal drainage
- Available with slotted Nickel Bronze or perforated Stainless Steel Grating
- Membrane clamping collar which also serves to connect the grating to the body (included)

Technical - *Did you know?*

- The membrane clamping collar and grate assembly is included

Optional Extras

- H** - add suffix 'H' to add Pin Torx screws for security applications
- M** - add suffix 'M' for grade 316 stainless steel (P1422 - P1424 stainless steel grate only)

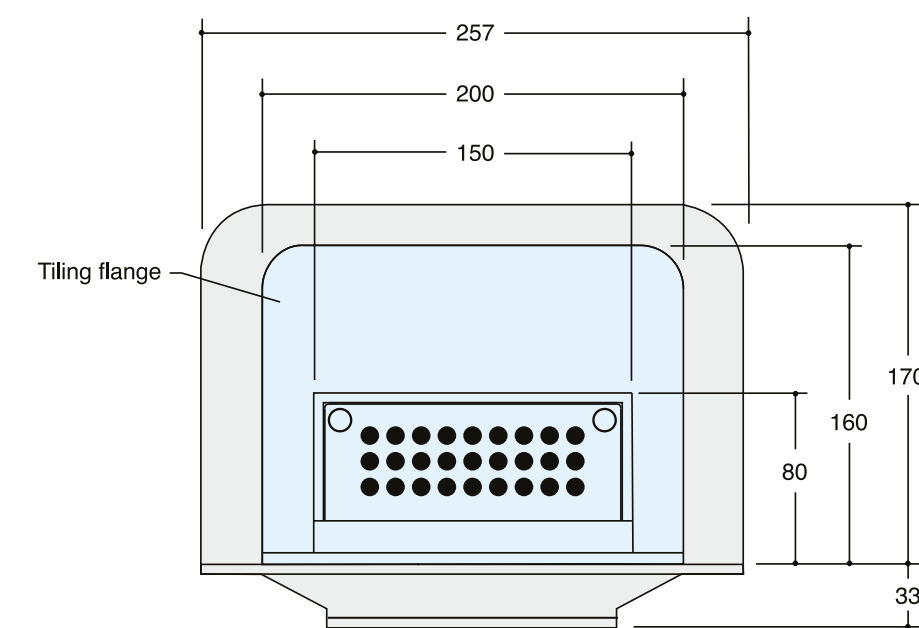
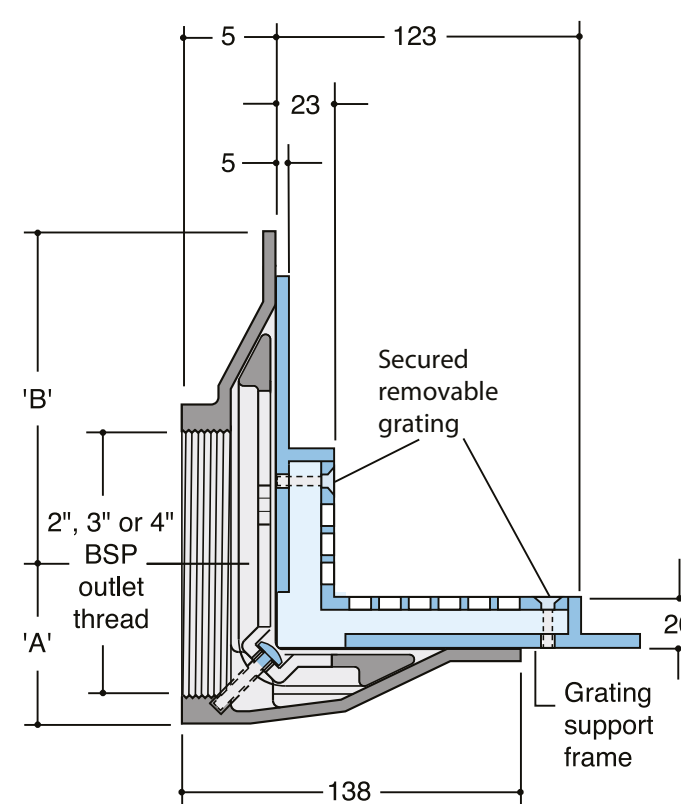


Product Accessories

	Page
Pipe Adaptors	91

P14 Series - 90° Gully with Stainless Steel Grating

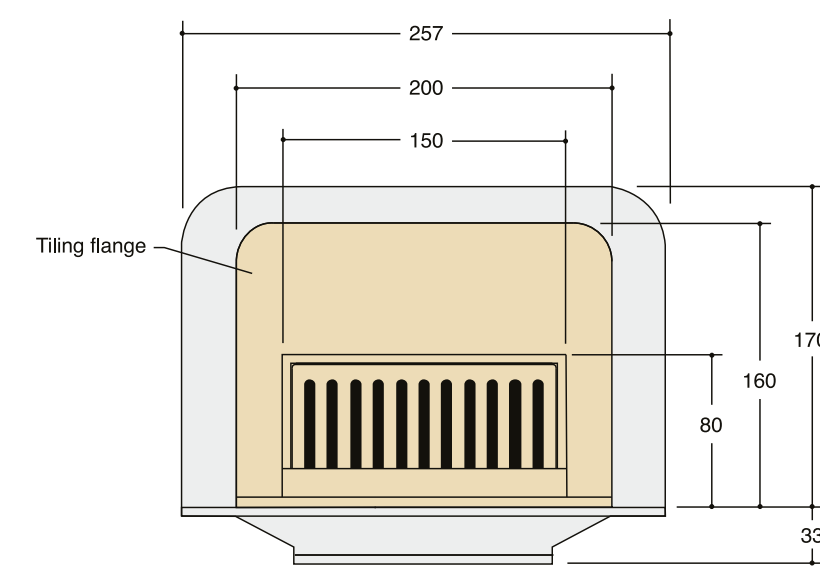
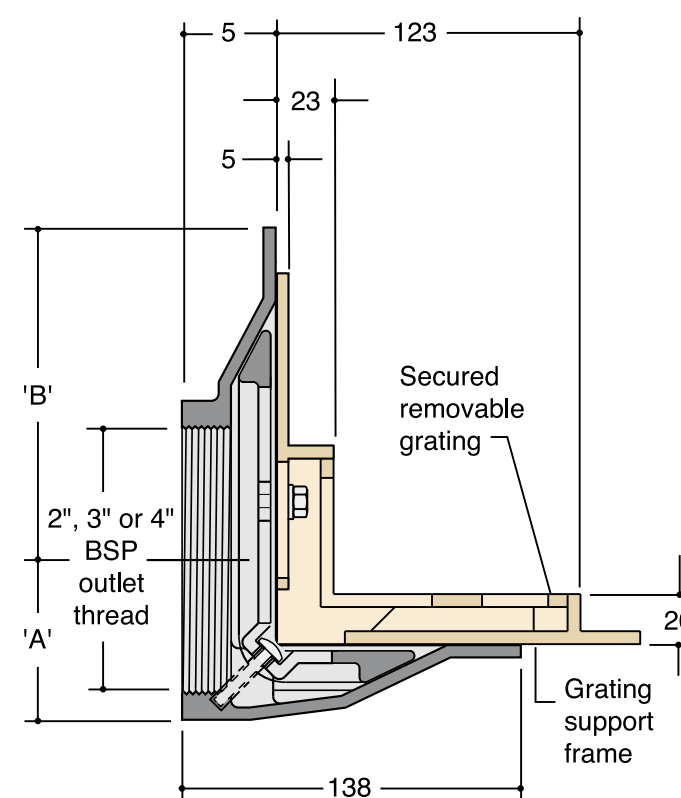
CI SS



Outlet Size (")	Free Area (cm ²)	A (mm)	B (mm)	Load Rating	Aperture (mm)	Weight (kg)	Spec Code
2	40	39	164	K3	8	7.3	P1422
3	40	52	151	K3	8	6.6	P1423
4	40	65	137	K3	8	6.2	P1424

P14 Series - 90° Gully with Nickel Bronze Grating

CI NB



Outlet Size (")	Free Area (cm ²)	A (mm)	B (mm)	Load Rating	Aperture (mm)	Weight (kg)	Spec Code
2	82	39	164	K3	6	7.3	P1412
3	82	52	151	K3	6	6.6	P1413
4	82	65	137	K3	6	6.2	P1414

Fixed Height Gullies - trapped

Q2834 and Q2734 fixed height S/S bodies are suitable for use in high specification applications EG food preparation, clean areas and science labs where high corrosion resistance is required.

Key Features

- Suitable for tiled, resin and concrete floor finishes
- Grade 304 SS drain bodies with optional Grade 316 available on request
- A choice of seven gratings, to various applications
- Body allows for up to 4 (max 3 on QG2734) side inlets, see page 29 to specify

Product Accessories

Pipe Adaptors	Page 91
---------------	---------

Technical - Did you know?

- Fixed height gratings are loose fitted (no screws). Specify grating required using the spec code

Optional Extras

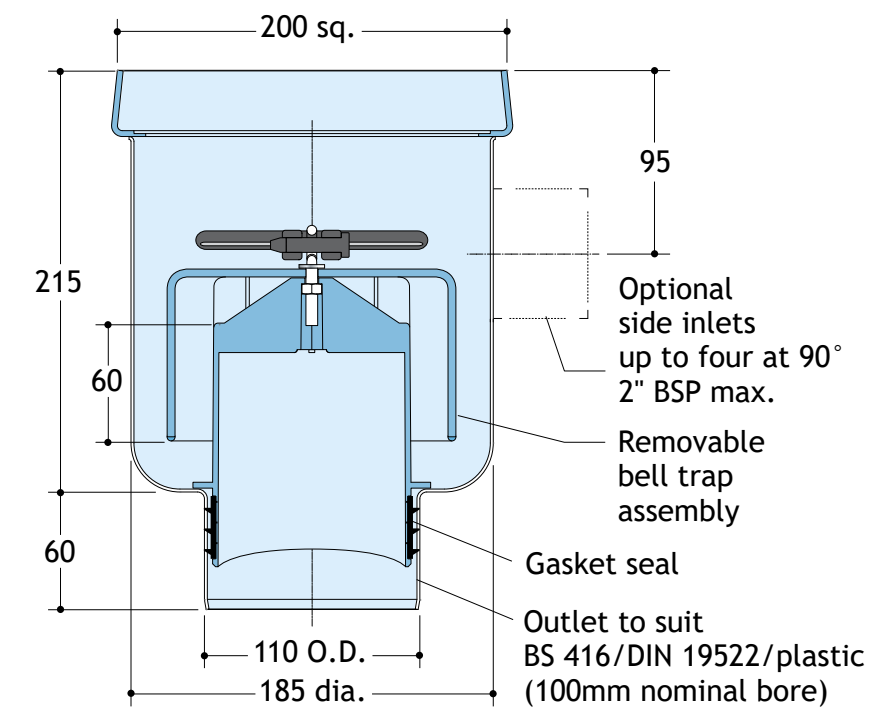
- B** - add suffix 'B' for stainless steel filter bucket
- BD** - add suffix 'BD' for deep filter bucket (Q2734 only)
- I** - add suffix 'I' for side inlets, see page 29 to specify
- M** - add suffix 'M' for grade 316 stainless steel
- N** - add suffix 'N' for non-trapped (Q2834 only)



Q2834 Vertical Outlet - Bell Trapped - 60mm Seal

SS

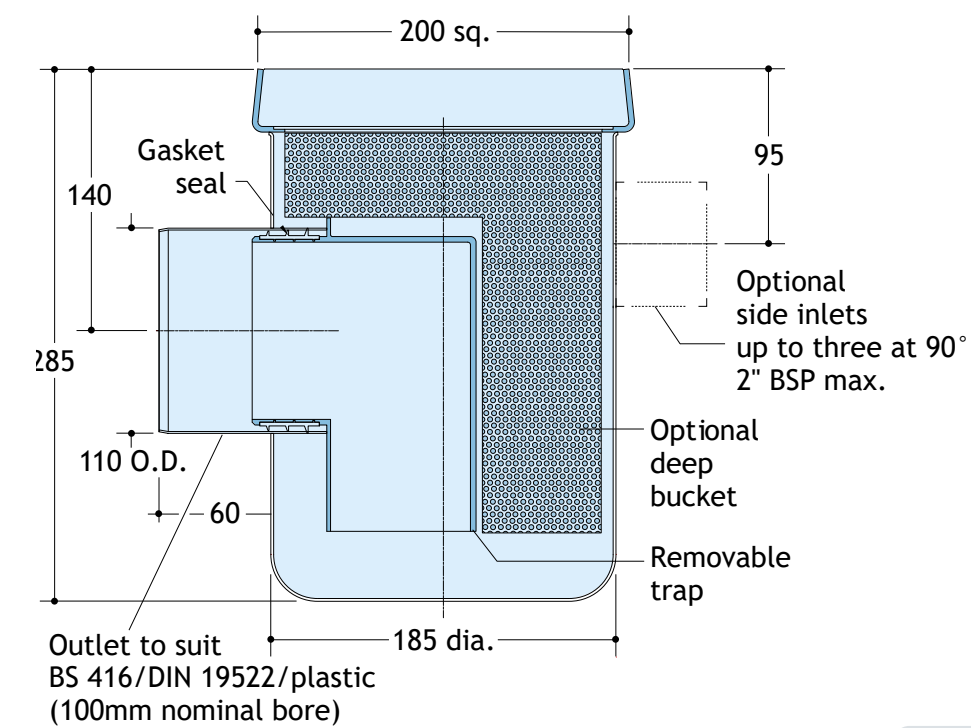
Outlet Size (mm)	Free Area (cm ²)	Weight (kg)	Spec Code
110	65	3.8	Q2834



Q2734 Horizontal Outlet - P Trapped - 60mm Seal

SS

Outlet Size (mm)	Free Area (cm ²)	Weight (kg)	Spec Code
110	70	3.9	Q2734



Gratings

SS

Q4232



Note: Anti-slip mesh

Q5232



Note: Plain mesh aperture

Q6230



Note: Circular aperture

Q6430



Note: Square aperture

Q9233



Note: Streamline. Heel-proof reverse wedge profile. Also suited for barefoot zones

Q7235



Note: Bar grating

U5232



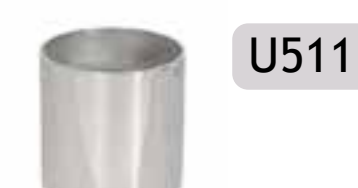
Note: Gully funnel connection

Spec Code	Length (mm)	Width (mm)	Depth (mm)	Aperture size (mm)	Free Area (cm ²)	Load Rating	Weight (kg)
Q4232	192	192	30	23x23	290	L15	1.2
Q5232	192	192	30	23x23	290	L15	1.3
Q6230	192	192	30	8 Ø	61	K3	1.1
Q6430	192	192	30	8x8	77	K3	1.1
Q9233	192	192	30	5	216	L15	1.2
U5232	192	192	30	55 Ø	95	K3	0.8

Optional Extras

M - add suffix 'M' for grade 316 stainless steel

You can add a bolt on funnel to your grating for additional functionality.



Fixed Height Gullies - trapped

Q2834V and Q2734V S/S bodies with flexible sheet floor clamping collar are suitable for use in high specification applications such as food preparation and science labs where high corrosion resistance is required.

Key Features

- Suitable for flexible sheet floor finishes
- Grade 304 S/S, optional Grade 316 available on request
- A choice of seven gratings, to various applications
- Body allows for up to 4 (max 3 on QG2734) side inlets, see page 29 to specify

Product Accessories

	Page
Pipe Adaptors	91
Bolt-on-funnel (U511)	91

Technical - Did you know?

- Fixed height gratings are loose fitted (no screws). Specify grating required using the spec code

Optional Extras

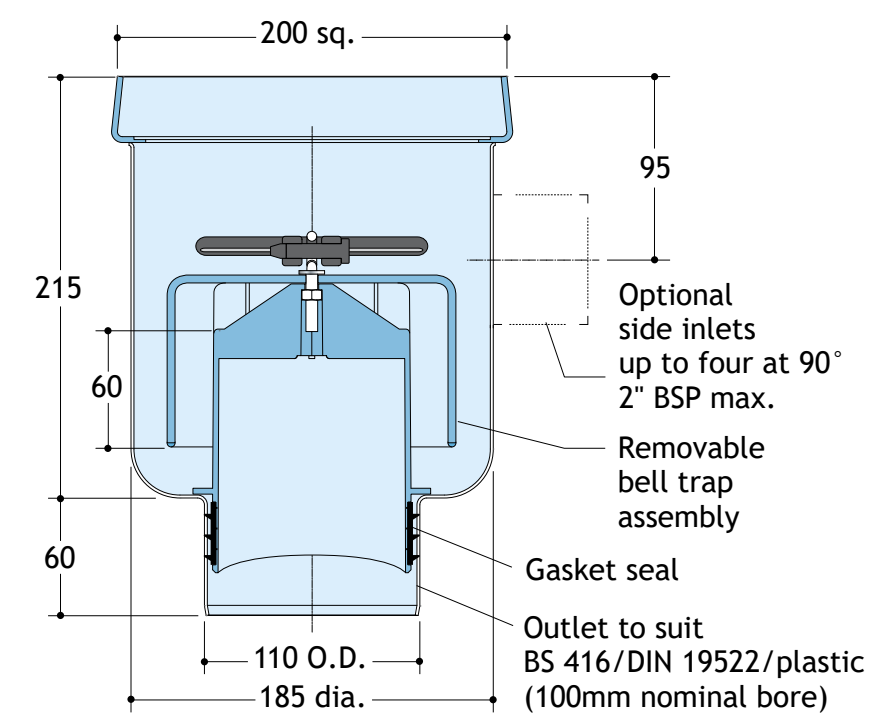
- A** - add suffix 'A' for a factory fitted asphalt/Timber flange ??
- B** - add suffix 'B' for stainless steel filter bucket
- BD** - add suffix 'BD' for deep filter bucket (Q2734V only)
- I** - add suffix 'I' for side inlets, see page 29 to specify
- M** - add suffix 'M' for grade 316 stainless steel
- N** - add suffix 'N' for non-trapped (Q2834V only)



Q2834V Vertical Outlet - Bell Trapped - 60mm Seal

SS

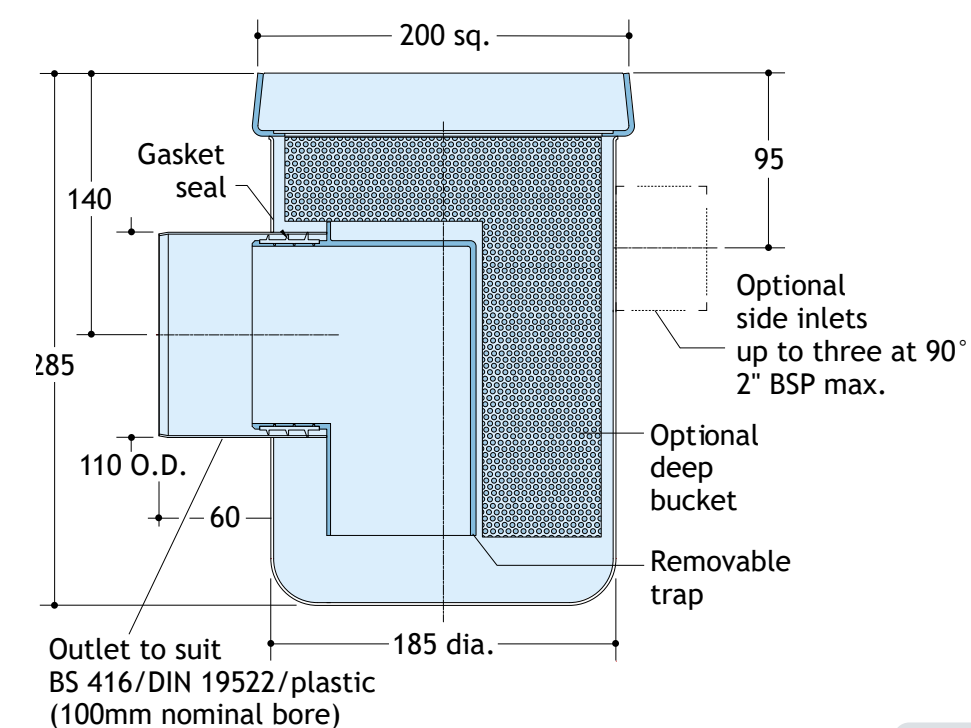
Outlet Size (mm)	Free Area (cm ²)	Weight (kg)	Spec Code
110	65	3.8	Q2834V



Q2734V Horizontal Outlet - P Trapped - 60mm Seal

SS

Outlet Size (mm)	Free Area (cm ²)	Weight (kg)	Spec Code
110	70	3.9	Q2734V



Gratings

SS

Q4232



Note: Anti-slip mesh

Q5232



Note: Plain mesh aperture

Q6230



Note: Circular aperture

Q6430



Note: Square aperture

Q9233



Note: Streamline. Heel-proof reverse wedge profile. Also suited for barefoot zones

Q7235



Note: Bar grating

U5232



Note: Gully funnel connection

Spec Code	Length (mm)	Width (mm)	Depth (mm)	Aperture size (mm)	Free Area (cm ²)	Load Rating	Weight (kg)
Q4232	192	192	30	23x23	290	L15	1.2
Q5235	192	192	30	23x23	290	L15	1.3
Q6230	192	192	30	8 Ø	61	K3	1.1
Q6430	192	192	30	8x8	77	K3	1.1
Q9233	192	192	30	5	216	L15	1.2
U5232	192	192	30	55 Ø	95	K3	0.8

Optional Extras

M - add suffix 'M' for grade 316 stainless steel

You can add a bolt on funnel to your grating for additional functionality.



U511

Fixed Height Gullies - trapped

Q10 to Q14 series fixed height bodies have a large sump suitable for use in high specification areas like food preparation where high corrosion resistance is required.

Key Features

- Suitable for tiled, resin and concrete floor finishes
- Grade 304 S/S with Grade 316 available request
- A choice of four gratings, to various applications
- Body allows for up to 4 (max 3 on Q1234 and Q1334) 100mm side inlets, see page 29 to specify

Technical - Did you know?

- Fixed height gratings are loose fitted (no screws). Specify grating required using the spec code on page 66

Optional Extras

- B** - add suffix 'B' for stainless steel filter bucket
- I** - add suffix 'I' for side inlets, see page 29 to specify
- M** - add suffix 'M' for grade 316 stainless steel
- N** - add suffix 'N' for non-trapped (Q10 and Q14 only)



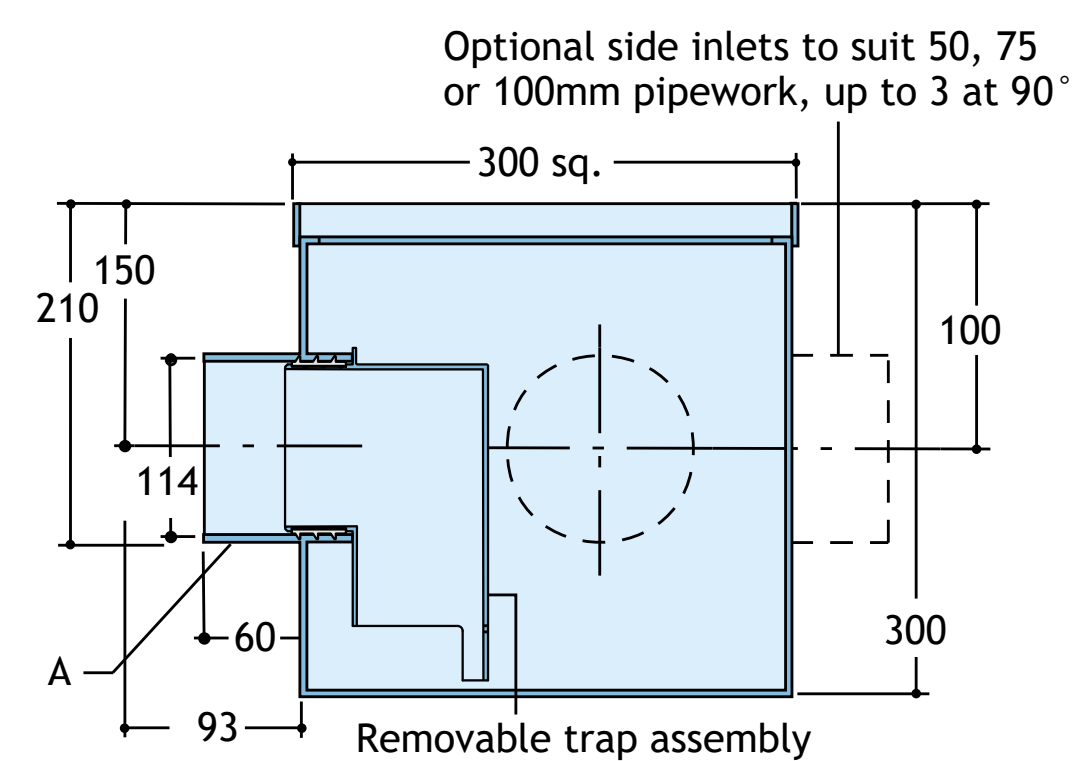
Product Accessories

	Page
Pipe Adaptors	91

Q1234 Vertical Spigot Outlet - P Trapped - 60mm Seal

SS

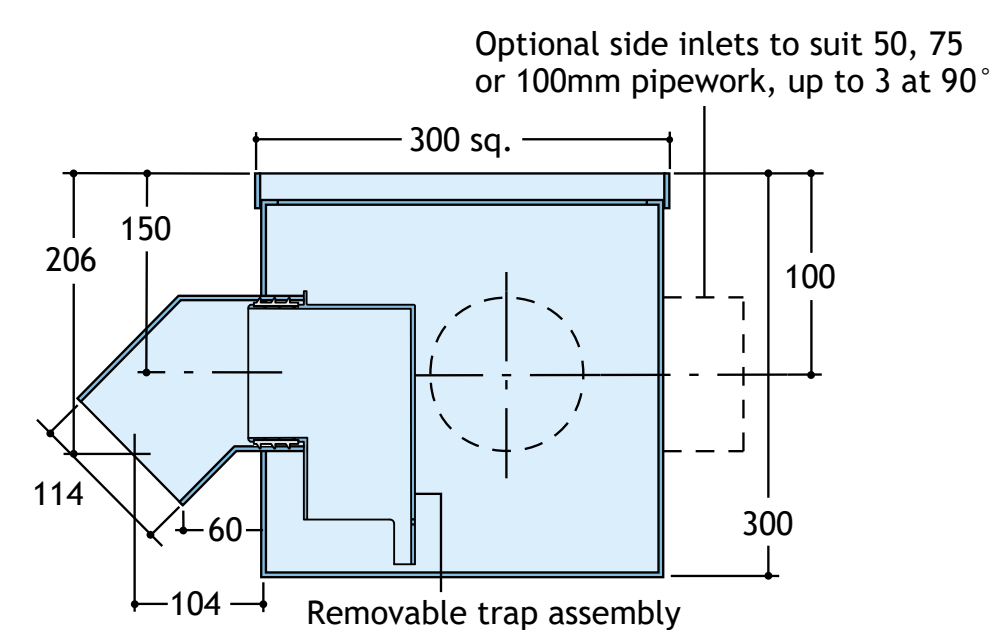
Outlet Size (mm)	Free Area (cm ²)	Weight (kg)	Spec Code
114	78	8.0	Q1234



Q1334 45° Spigot Outlet - Q Trapped - 60mm Seal

SS

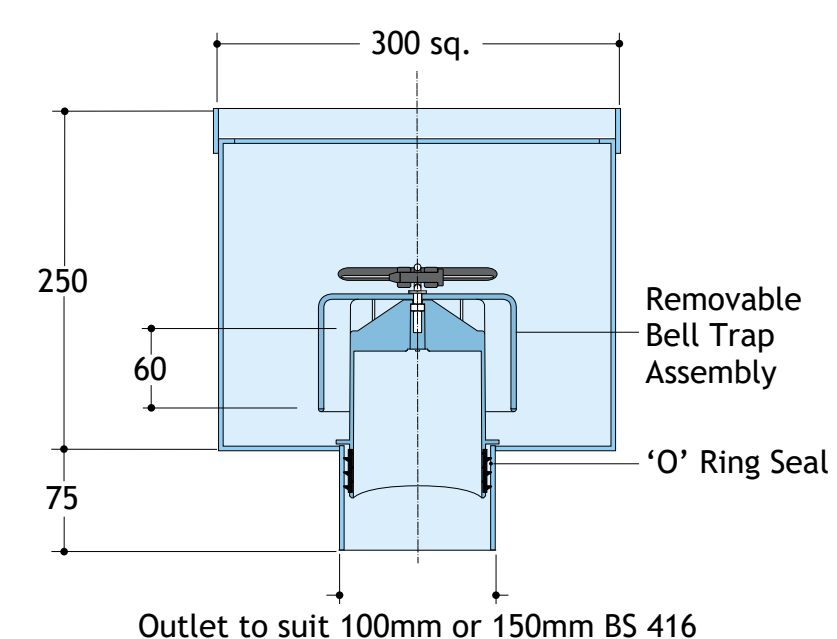
Outlet Size (mm)	Free Area (cm ²)	Weight (kg)	Spec Code
114	78	8.0	Q1334



Q14 Series Vertical Spigot Outlet - Bell Trapped - 60mm Seal

SS

Outlet Size (mm)	A (mm)	Free Area (cm ²)	Weight (kg)	Spec Code
100	114	53	6.5	Q1434
150	162	176	6.2	Q1436



Gratings on the following page.

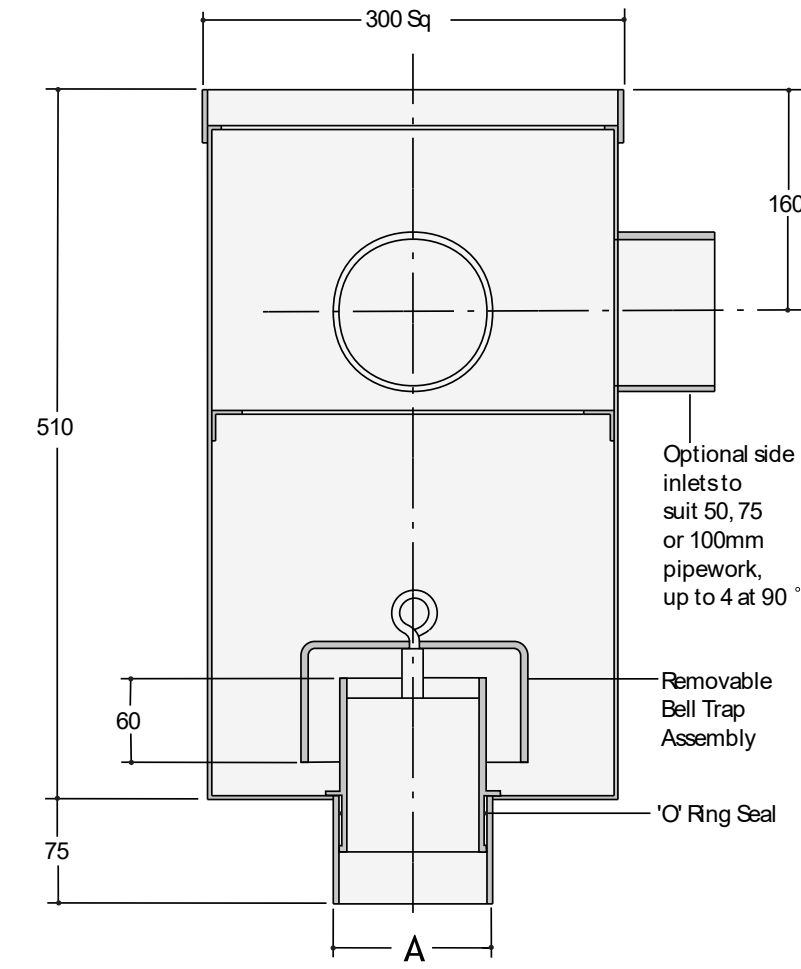
Fixed Height Gullies - trapped

Continued from page 65.

Q10 Series Vertical Spigot Outlet - Bell Trapped - 60mm Seal

SS

Outlet Size (mm)	A (mm)	Free Area (cm ²)	Weight (kg)	Spec Code
100	114	53	16.0	Q1034
150	162	176	16.0	Q1036



Gratings

SS

Q4332



Note: Anti-slip mesh.

Q5332



Note: Plain mesh aperture

Q7335



Note: Bar grating

Q9333



Note: Streamline. Heel-proof reverse wedge profile. Also suited for barefoot zones

Spec Code	Length (mm)	Width (mm)	Depth (mm)	Aperture size (mm)	Free Area (cm ²)	Load Rating	Weight (kg)
Q4332	293	293	30	23x23	670	L15	2.5
Q5332	293	293	30	23x23	670	L15	2.8
Q7335	293	293	30	10	550	M125	7.3
Q9333	293	293	30	5	403	L15	2.5

Optional Extras

M - add suffix 'M' for grade 316 stainless steel

You can add a bolt on funnel to your grating for additional functionality.



U511

Fixed Height Gullies - trapped

Q10V to Q14V series fixed height bodies have a large sump suitable for use in high specification food preparation where high corrosion resistance is required.

Key Features

- Suitable for flexible sheet flooring
- Grade 304 SS optional Grade 316 available on request
- A choice of three? gratings, to various applications
- Body allows for up to 4 (max 3 on Q1234V and Q1334V) 100mm side inlets, see page 29 to specify

Product Accessories

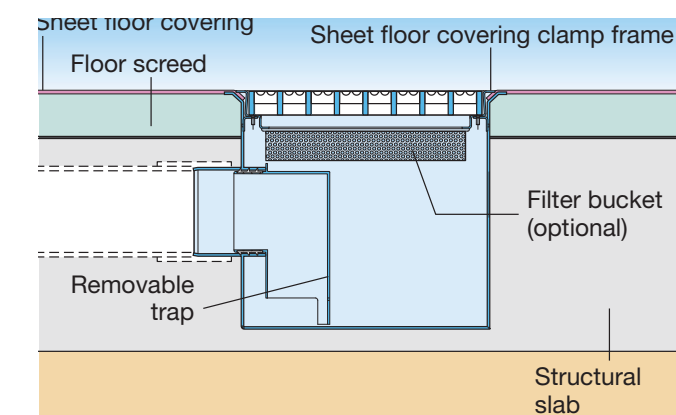
Pipe Adaptors	Page 91
---------------	---------

Technical - Did you know?

- Fixed height gratings are loose fitted (no screws). Specify grating required using the spec code on page 68

Optional Extras

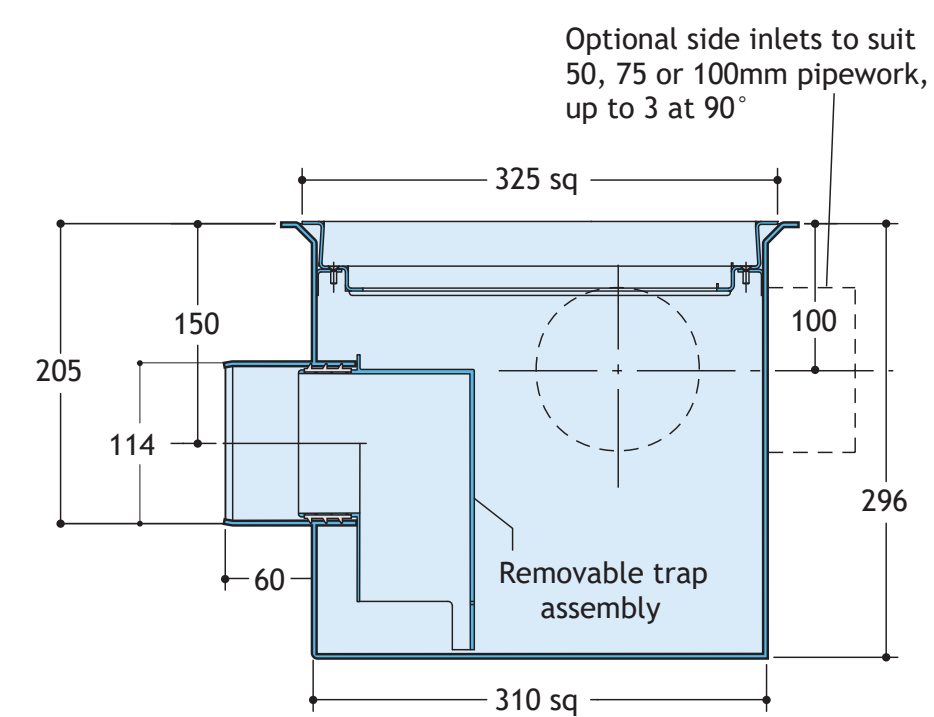
- B** - add suffix 'B' for stainless steel filter bucket
- I** - add suffix 'I' for side inlets, see page 29 to specify
- M** - add suffix 'M' for grade 316 stainless steel
- N** - add suffix 'N' for non-trapped (Q10V and Q14V only)



Q1234V Vertical Spigot Outlet - P Trapped - 60mm Seal

SS

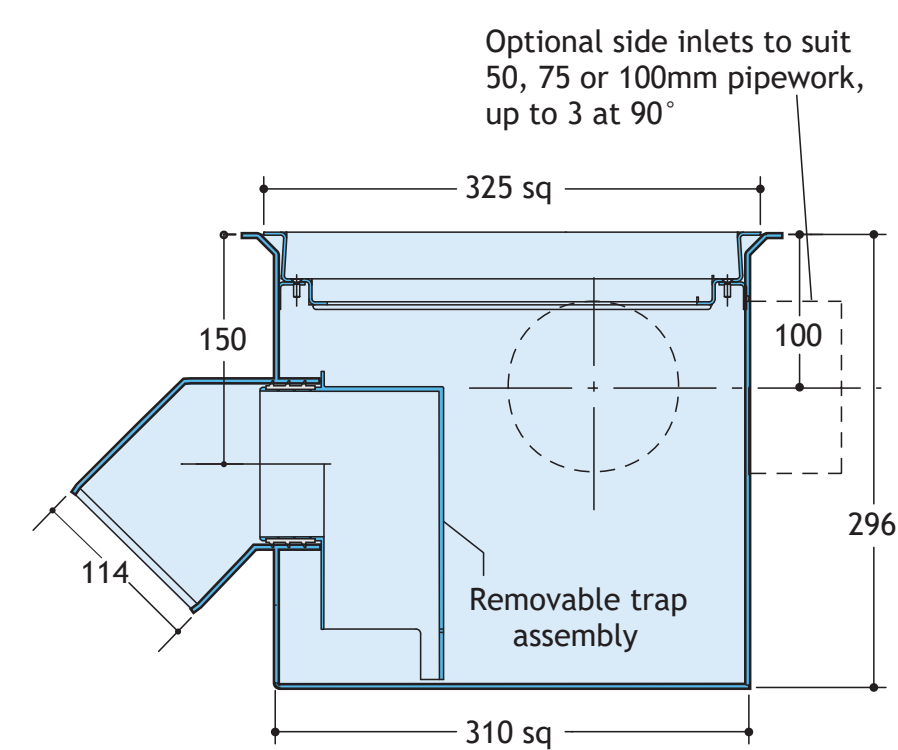
Outlet Size (mm)	A (mm)	Free Area (cm ²)	Weight (kg)	Spec Code
100	114	78	8.0	Q1234V



Q1334V 45° Spigot Outlet - Q Trapped - 60mm Seal

SS

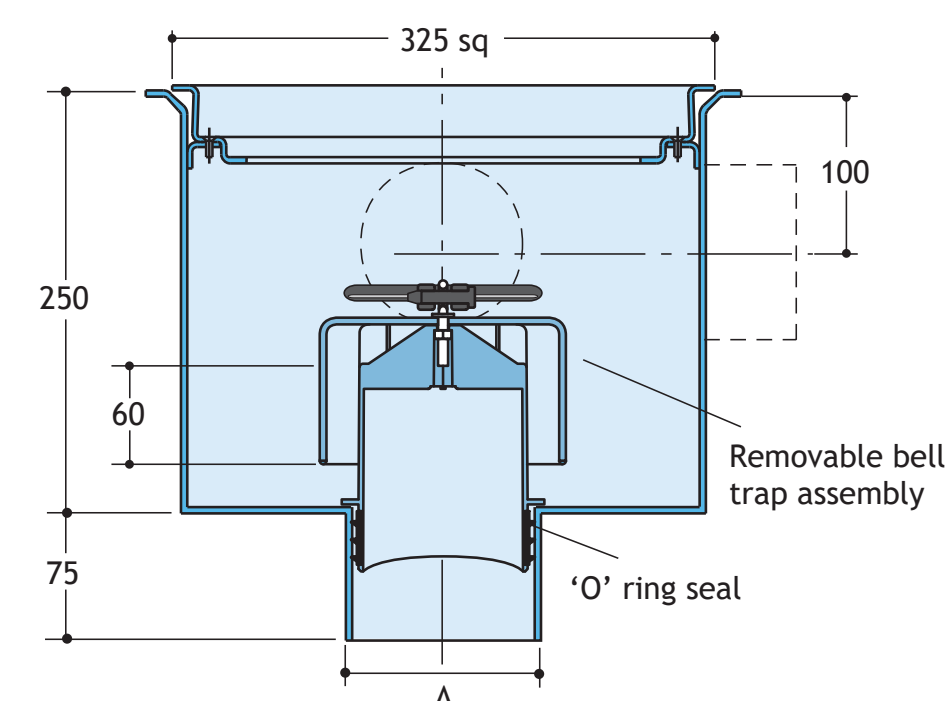
Outlet Size (mm)	A (mm)	Free Area (cm ²)	Weight (kg)	Spec Code
100	114	78	8.0	Q1334V



Q14V Series Vertical Spigot Outlet - Bell Trapped - 60mm Seal

SS

Outlet Size (mm)	A (mm)	Free Area (cm ²)	Weight (kg)	Spec Code
100	114	53	6.5	Q1434V
150	162	176	6.2	Q1436V



Gratings on the following page.

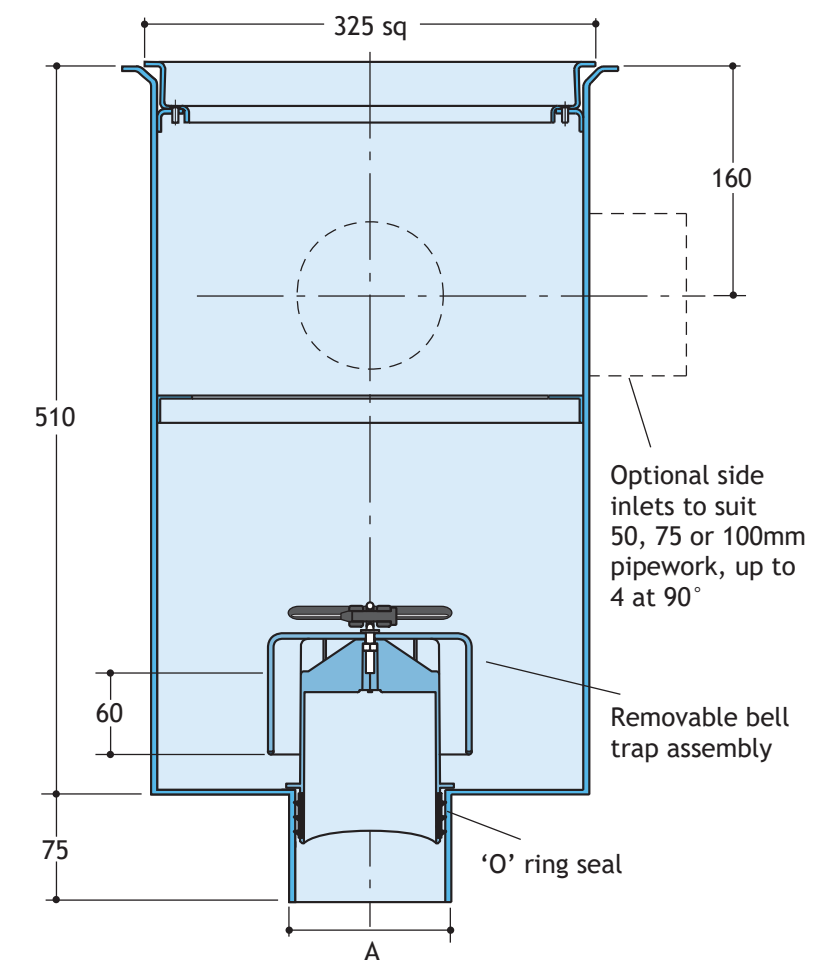
Fixed Height Gullies - trapped

Continued from page 66.

Q10V Series Vertical Spigot Outlet - Bell Trapped - 60mm Seal

SS

Outlet Size (mm)	A (mm)	Free Area (cm ²)	Weight (kg)	Spec Code
100	114	53	16.0	Q1034V
150	162	176	16.0	Q1036V



Gratings (Q1234V, Q1334V, Q14V, Q10V)

SS

Q4332



Note: Anti-slip mesh.

Q5332



Note: Plain mesh aperture.

Q9333



Note: Streamline. Heel-proof reverse wedge profile. Also suited for barefoot zones

Spec Code	Length (mm)	Width (mm)	Depth (mm)	Aperture size (mm)	Free Area (cm ²)	Load Rating	Weight (kg)
Q4332	293	293	30	23x23	670	L15	2.5
Q5332	293	293	30	23x23	670	L15	2.8
Q9333	293	293	30	5	403	L15	2.5

Optional Extras

M - add suffix 'M' for grade 316 stainless steel
 You can add a bolt on funnel to your grating for additional functionality.



U511

Heavy Duty Gullies - non trapped

Q904 - Heavy Duty Lorry Deck Gully

SS

Q904 Heavy duty gully is designed for use in areas subject to high loads such as lorry decks, service areas and parking areas.

Key Features

- Grade 304 S/S optional Grade 316 available on request
- Large solid plate grating with 20mm aperture peripheral slot
- Optional lower flange to accommodate subsurface build-up
- Optional membrane clamping collar

Product Accessories

	Page
Pipe Adaptors	90

Technical - Did you know?

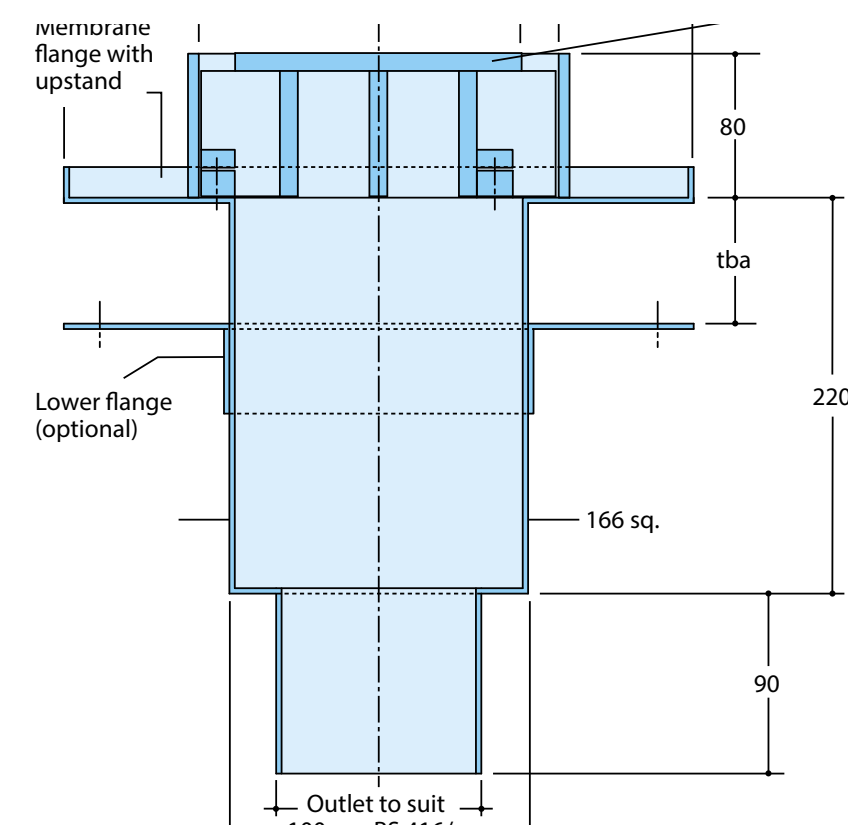
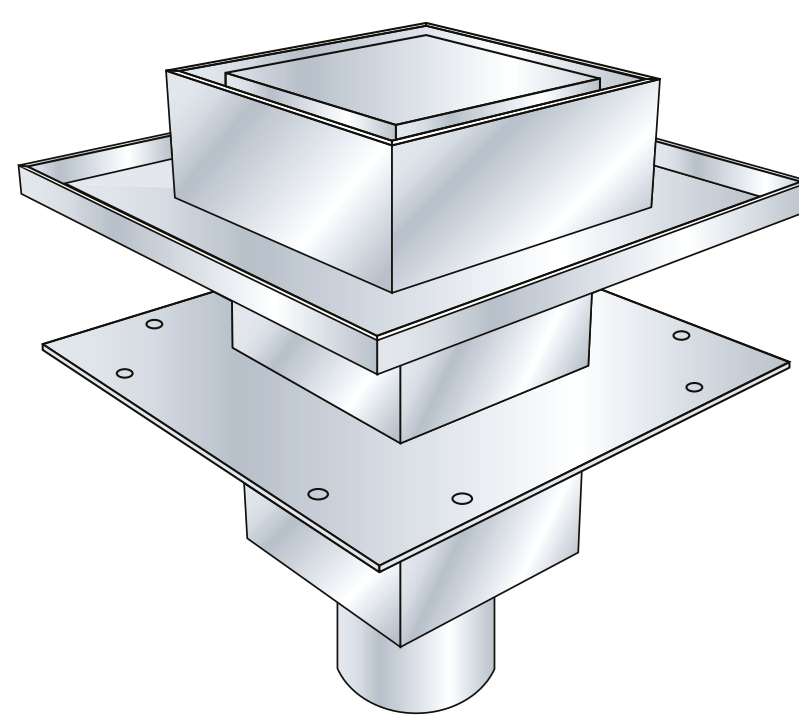
- Bespoke sizes available on request.

Optional Extras

- F** - add suffix 'F' for lower flange (specify position)
- H** - add suffix 'H' to add Pin Torx screws for security applications
- M** - add suffix 'M' for grade 316 stainless steel
- T** - add suffix 'T' for integral bell trap
- W** - add suffix 'W' for upper flange supplementary drainage
- W2** - add suffix 'W2' for lower flange supplementary drainage

Outlet Size (mm)	Free Area (cm ²)	Load Rating	Aperture (mm)	Weight (kg)	Spec Code
100	144	P400*	20	17.5	Q904

Note: *Grating seat must be fully supported to achieve load rating class.



Q1 Series - Deck Gully

SS

CI

For use in factories, service areas, parking areas and warehouses where large volumes of water are discharged

Key Features

- Grade 304 Stainless Steel
- Heavy duty M125 Load Class Ductile Iron Grating with high quality sherardized coating

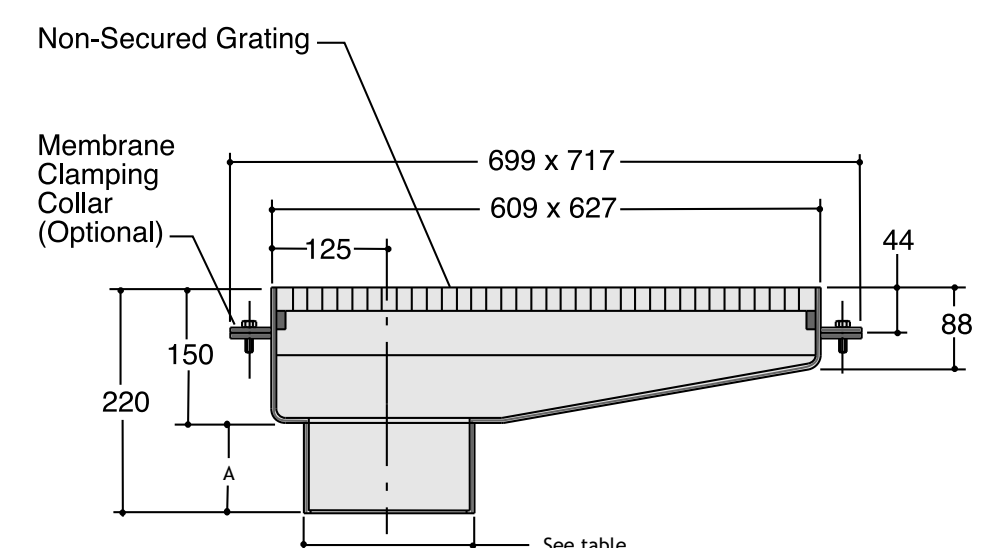
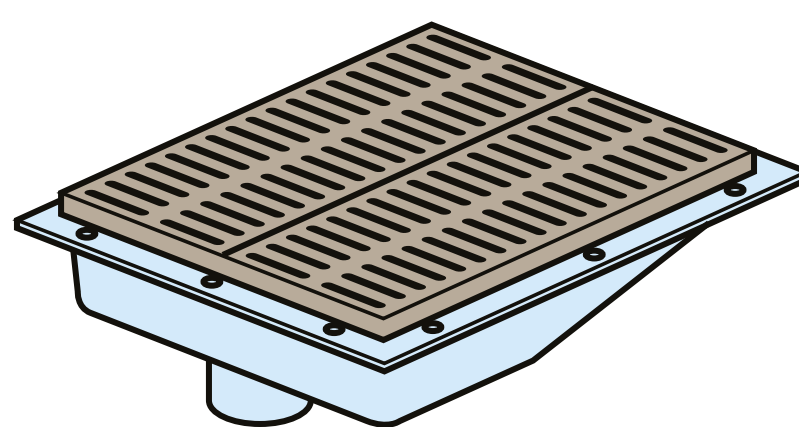
Product Accessories

	Page
Pipe Adaptors	90

Technical - Did you know?

- Q1 Series can be used without a clamping collar, if required, it can be ordered by adding suffix 'C' to the spec code
- The grate is loose fitted (no screws)

Outlet Size (mm)	Free Area (cm ²)	A	Load Rating	Aperture (mm)	Weight (kg)	Spec Code
110	1250	90	M125	16.0	100.0	Q105
163	1250	100	M125	16.0	100.0	Q106



Heavy Duty Gullies - non trapped

Q3 Series - Deck Gully

CI NB

For use a hopper drain, or an indirect waste receiver, for pedestrian traffic only

Key Features

- Grade 304 SS with Grade 316 available on request
- Heavy duty M125 Load Class Ductile Iron Grating with high quality sherardized coating

Product Accessories

	Page
Pipe Adaptors	90

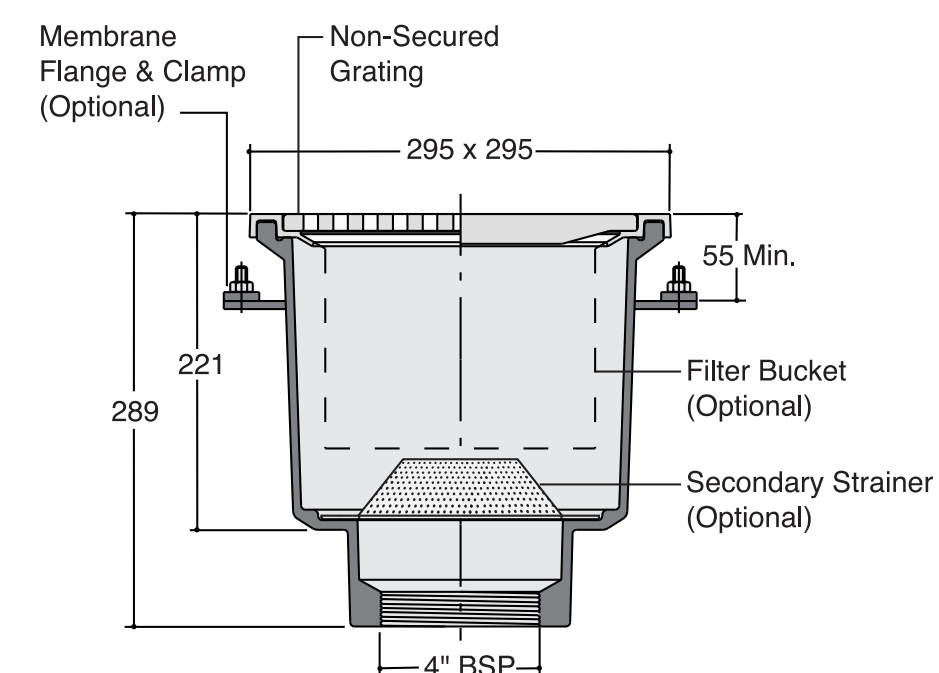
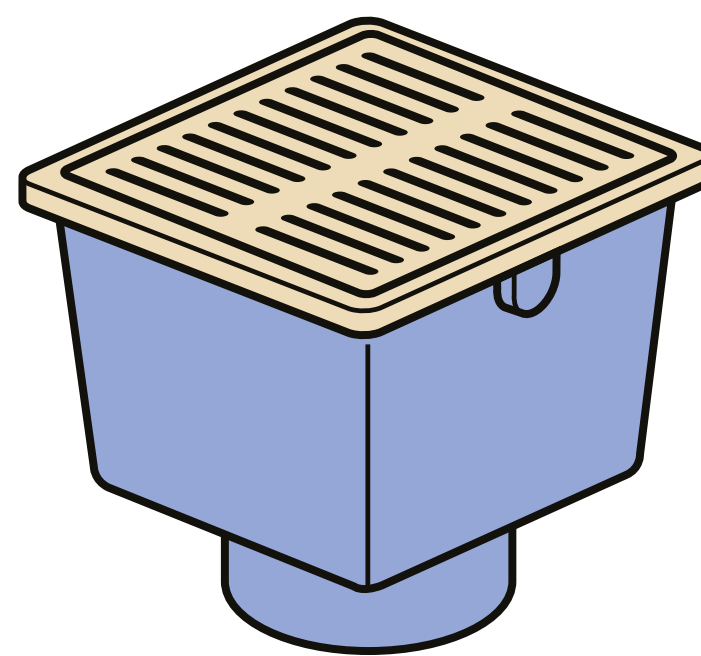
Technical - Did you know?

- Q1 Series can be supplied with or without a flange/clamping collar, if required, it can be ordered by adding suffix 'F' to the spec code
- The grate is loose fitted (no screws)

Optional Extras

- B - add suffix 'B' for stainless steel filter bucket
- D - add suffix 'D' for secondary stainless steel strainer
- F - add suffix 'F' for flange and membrane clamp

Outlet Size (BSP)	Free Area (cm ²)	Load Rating	Aperture (mm)	Weight (kg)	Spec Code
4	205	L15	10	22.4	Q301
4	205	L15	10	22.4	Q302



Q403 - Deck Gully

SS CI

For use in service areas, parking areas, factories and warehouses

Key Features

- Grade 304 Stainless Steel body
- Heavy duty M125 Load Class Ductile Iron Grating with high quality sherardized coating
- Trapped gully with hinged grating and rodding access

Product Accessories

	Page
Pipe Adaptors	90

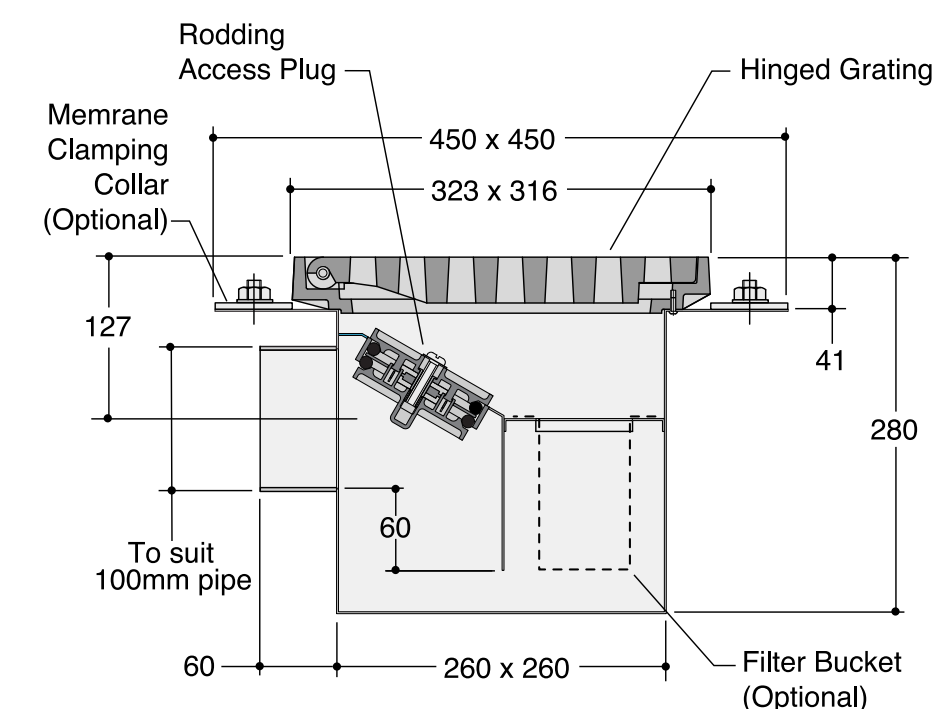
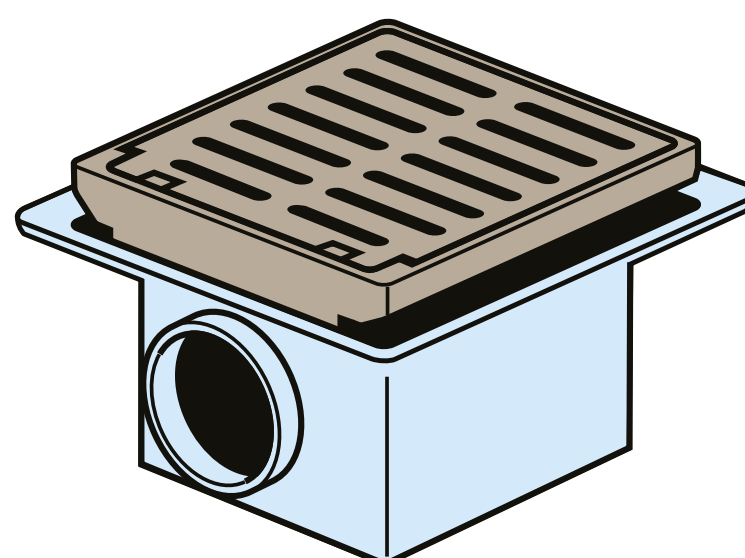
Technical - Did you know?

- Q403 can be supplied with or without a clamping collar

Optional Extras

- B - add suffix 'B' for stainless steel filter bucket
- C - add suffix 'C' for membrane clamping collar

Outlet Size (mm)	Free Area (cm ²)	Load Rating	Aperture (mm)	Weight (kg)	Spec Code
100	280	M125	19	23.0	Q403



Heavy Duty Gullies - non trapped

Q6 Series - Deck Gully

SS

For use in gutter gully channels and trenches

Key Features

- Grade 304 SS with optional Grade 316 available on request
- K3 and L15 load class options (see gratings)

Product Accessories

	Page
Pipe Adaptors	90

Outlet Size (mm)	Free Area (cm ²)	Load Rating	Aperture (mm)	Weight (kg)	Spec Code
110	360	L15	23 x 23	3.7	Q605
110	360	L15	23 x 23	3.7	Q615
110	245	L15	5	3.6	Q625
110	100	K3	8 dia	3.0	Q635
110	95	K3	8 x 8	3.0	Q645

Note:

- Gully and Grating come complete - below images are to show the grating designs.

Q605



Note: Anti-slip mesh.

Q615



Note: Plain mesh.

Q625



Note: Streamline. Heel-proof reverse wedge profile. Also suited for barefoot zones

Q635



Note: Circular aperture

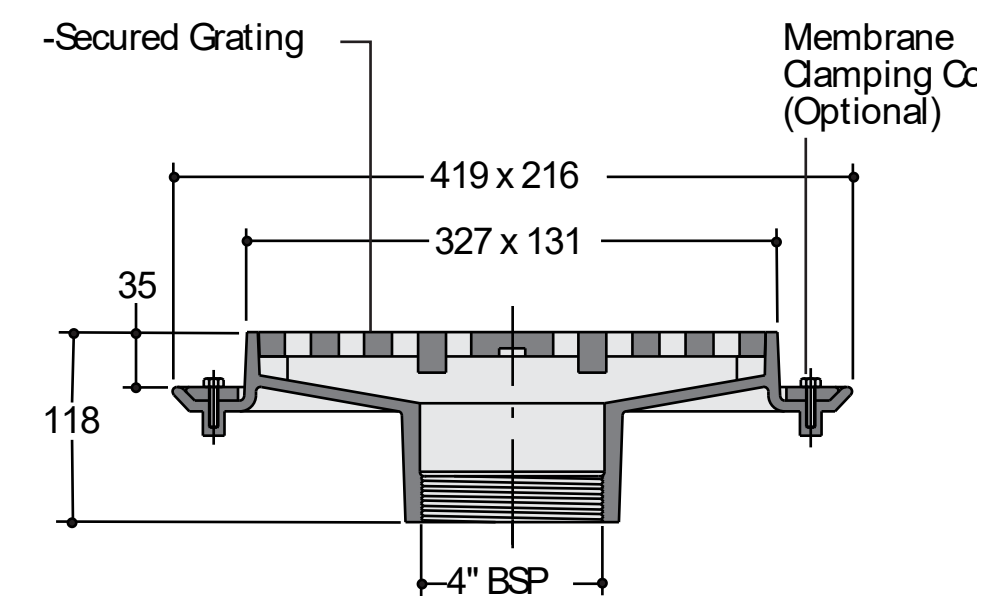
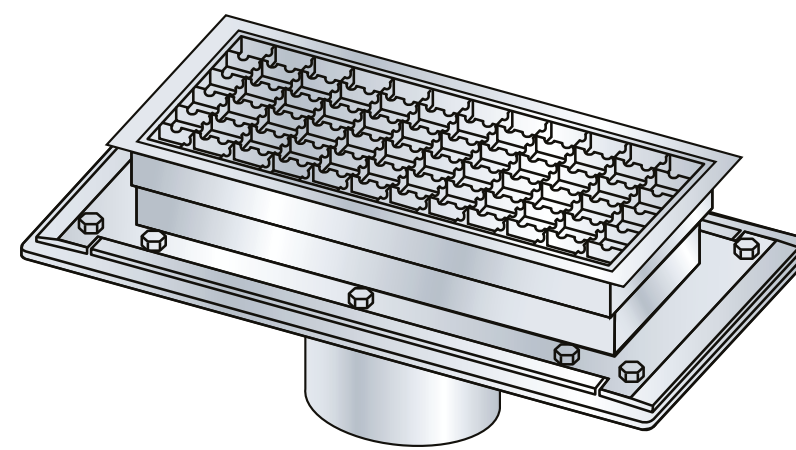
Q645



Note: Square aperture

Technical - Did you know?

- Q6 Series can be supplied with or without a flange/clamping collar, if required, it can be ordered by adding suffix 'F' to the spec code
- The grate is loose fitted (no screws), if a secured grate is required, add suffix 'L' to the spec code



Q8 Series - Backflow Valve Gully

SS

For use in pools or pits where safeguard against backflow is required

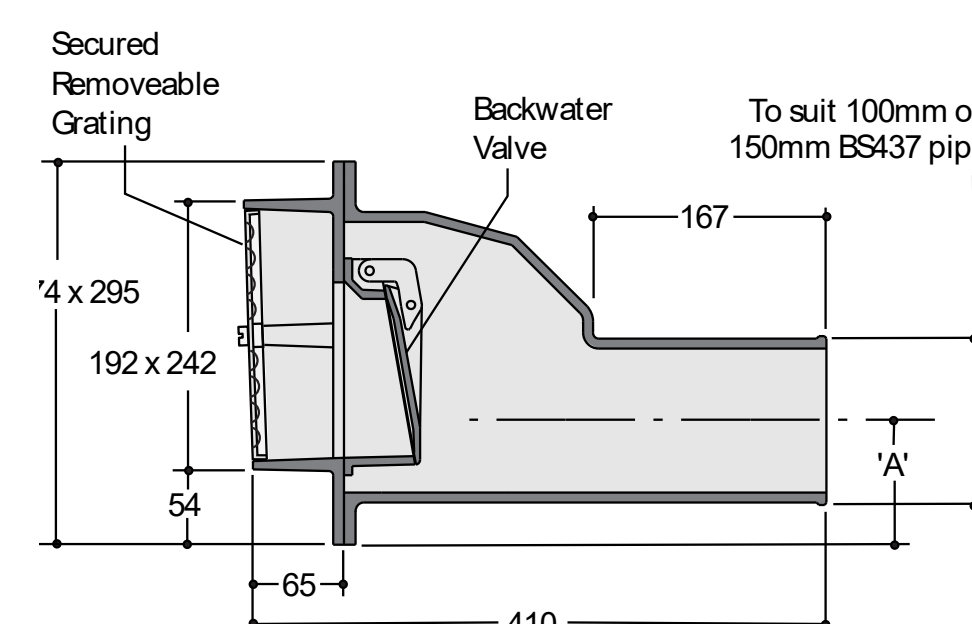
Key Features

- Grade 304 SS with optional Grade 316 available on request
- Integral backflow flap in stainless steel

Product Accessories

	Page
Pipe Adaptors	90

Outlet Size (mm)	Free Area (cm ²)	Load Rating	Aperture (mm)	Weight (kg)	Spec Code
114	185	N/A	13	22.0	Q801
172	185	N/A	13	22.0	Q802



Technical - Did you know?

- Q8 Series is supplied with an integrated flange for membrane clamping

Shower Gullies - horizontal outlet

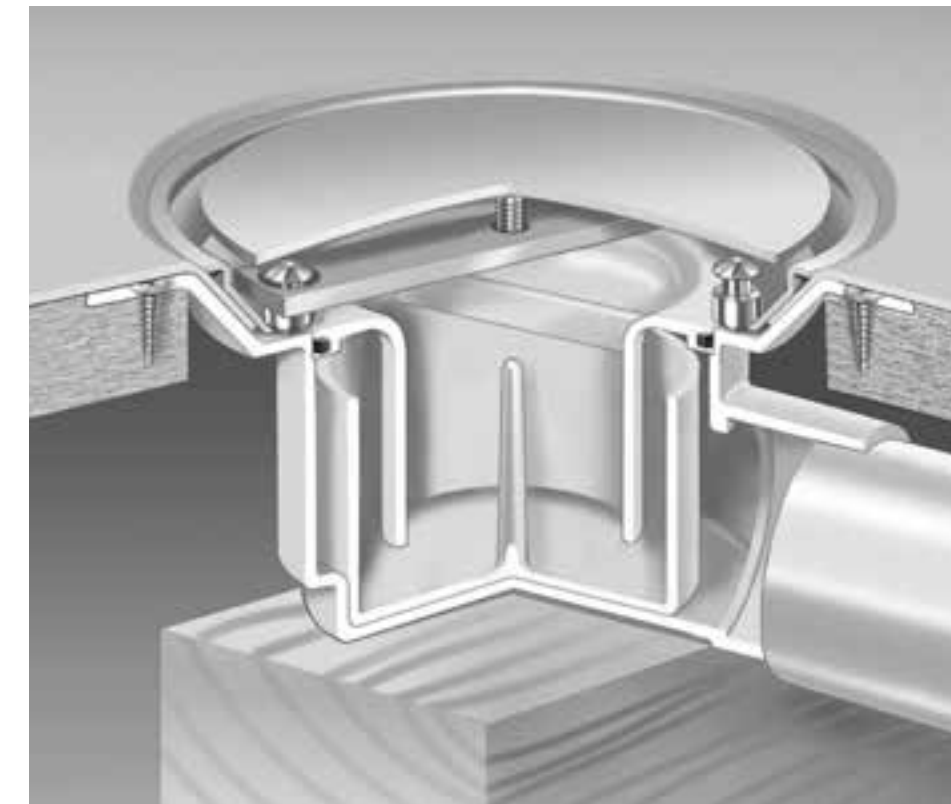
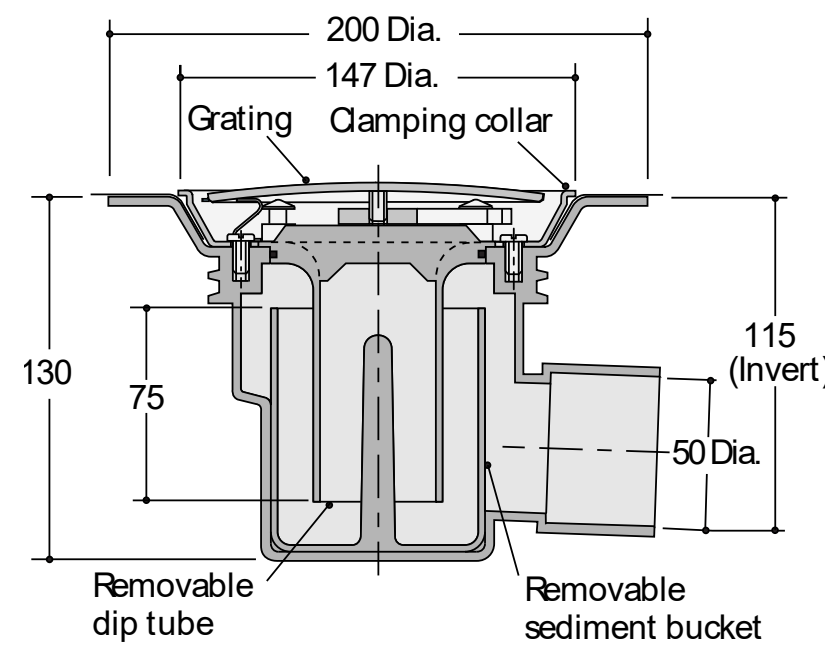
For use in wet bathrooms and shower areas decked with flexible sheet flooring.

Key Features

- Watertight - clamping collar provides a water-tight seal between the flooring material and gully even when the grating is removed.
- Water seal - formed by a bucket and dip tube, the water seal depth of 50mm complies with plumbing codes of practice in the U.K.
- Flow rate - (grating and funnel versions) rate in excess of 40 l/min; comfortably exceeds the minimum rate of 24 l/min required by BS EN 274 - discharge from a single shower head.
- Accessible - removable grating and trap enable easy access from above for maintenance purposes.

Technical - Did you know?

- GV5007 secured grating has no visible fixings and is removable only upon depressing an unobtrusive lever.
- The removable trap bucket helps to eliminate blockages and intercepts jewellery and other items which might otherwise be washed away.
- 56mm outlet socket for solvent-weld connection to PVC pipework.



Optional Extras

H - add suffix 'H' to add Pin Torx screws for security applications (not GV5007). GV5247 comes as standard with Pin Torx screws.

I - add suffix 'I' for tapped cover to connect direct connection waste pipe 1.25", 1.5" or 2" (GV5507, GV5107, GV5517)

M - add suffix 'M' for grade 316 stainless steel (Excluding GV5007)

P - add suffix 'P' for polished stainless steel (note that GV5817 is polished as standard)

GV5 Series - 50mm Horizontal Outlet - Trapped

PL

SS

NB

Stainless Steel Options

GV5007



Peripheral Slot

GV5107



Slotted

GV5247



Security Grating

GV5517



Solid Cover

GV5817



Circular Funnel

Spec Code	Grate Type	Aperture size (mm)	Load Rating	Weight (kg)
GV5007	Peripheral slot	6	K3	1.2
GV5107	Slotted grating	7	L15	1.0
GV5247	Security grating (4mm aperture)	4	K3	1.0
GV5517	Solid cover (gasket sealed)	N/A	L15	1.2
GV5817	Funnel (parallel) 100dia x 100H	N/A	N/A	1.7

Nickel Bronze Options

GV5103



Slotted -

GV5503



Solid Cover

GV5803



Circular Funnel

GV5823



Oval Funnel

Spec Code	Grate Type	Aperture size (mm)	Load Rating	Weight (kg)
GV5103	Slotted grating	7	L15	1.5
GV5503	Solid cover (unsealed)	N/A	L15	1.9
GV5803	Funnel (tapered) 100dia x 100H	N/A	N/A	2.4
GV5823	Funnel (oval) 225L x 85w x 100H	N/A	N/A	3.7

Shower Gullies - vertical outlet

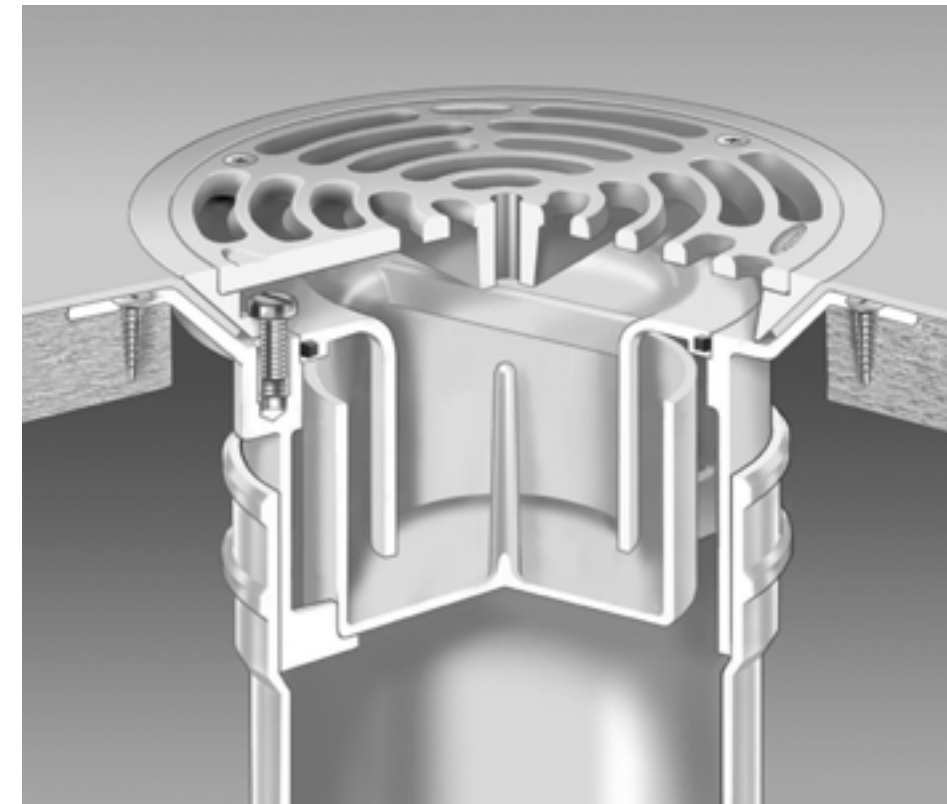
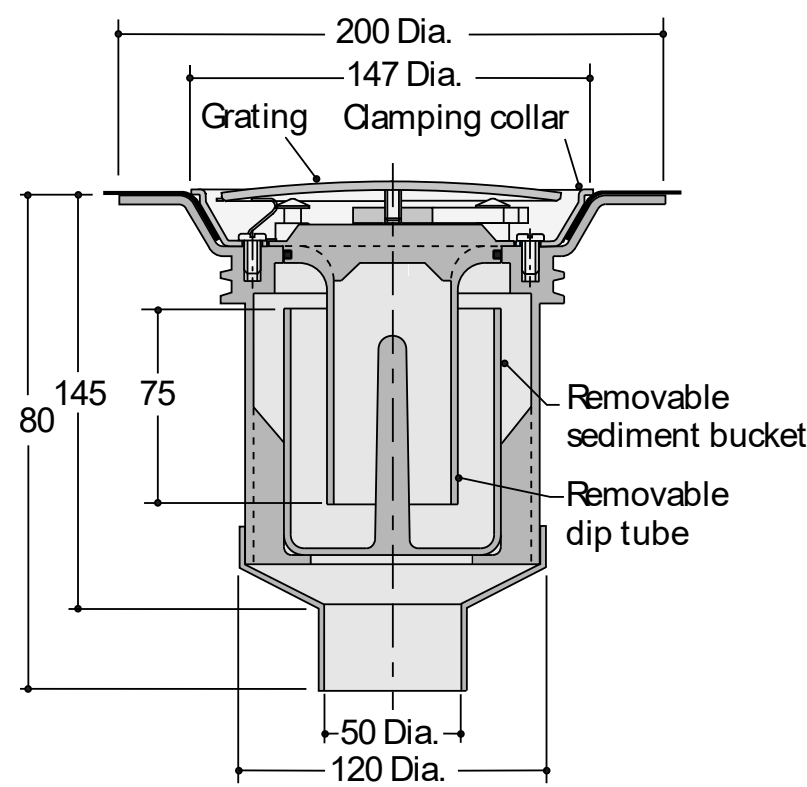
For use in wet bathrooms and shower areas decked with flexible sheet flooring.

Key Features

- Watertight - clamping collar provides a water-tight seal between the flooring material and gully even when the grating is removed.
- Water seal - formed by a bucket and dip tube, the water seal depth of 50mm complies with plumbing codes of practice in the U.K.
- Flow rate - (grating and funnel versions) rate in excess of 40 l/min; comfortably exceeds the minimum rate of 24 l/min required by BS EN 274 for the discharge from a single shower head.
- Accessible - removable grating and trap enable easy access from above for maintenance purposes.

Technical - Did you know?

- The 110mm body can be solvent welded to PVC or push-fit into a ring seal connector. The 56mm socket reducer (included) can be used to connect to 56mm PVC pipework.
- GV6007 secured grating has no visible fixings and is removable only upon depressing an unobtrusive lever.
- The removable trap bucket helps to eliminate blockages and intercepts jewellery and other items which might otherwise be washed away.



Optional Extras

- H** - add suffix 'H' to add Pin Torx screws for security applications (not GV6007). GV6247 comes as standard with Pin Torx screws.
- I** - add suffix 'I' for tapped cover to connect direct connection waste pipe 1.25", 1.5" or 2" (GV6007, GV6107 & GV6517)
- M** - add suffix 'M' for grade 316 stainless steel (Excluding GV6007)
- P** - add suffix 'P' for polished stainless steel (note that GV6817 is polished as standard)

GV6 Series - 56/110mm Vertical Outlet - Trapped

PL SS NB

Stainless Steel Options



Spec Code	Grate Type	Aperture size (mm)	Load Rating	Weight (kg)
GV5007	Peripheral slot	6	K3	1.2
GV5107	Slotted grating	7	L15	1.0
GV5247	Security grating (4mm aperture)	4	K3	1.0
GV5517	Solid cover (gasket sealed)	N/A	L15	1.2
GV5817	Funnel (parallel) 100dia x 100H	N/A	N/A	1.7

Nickel Bronze Options



Spec Code	Grate Type	Aperture size (mm)	Load Rating	Weight (kg)
GV5103	Slotted grating	7	L15	1.5
GV5503	Solid cover (unsealed)	N/A	L15	1.9
GV5803	Funnel (tapered) 100dia x 100H	N/A	N/A	2.4
GV5823	Funnel (oval) 225L x 85w x 100H	N/A	N/A	3.7

Direct Connection

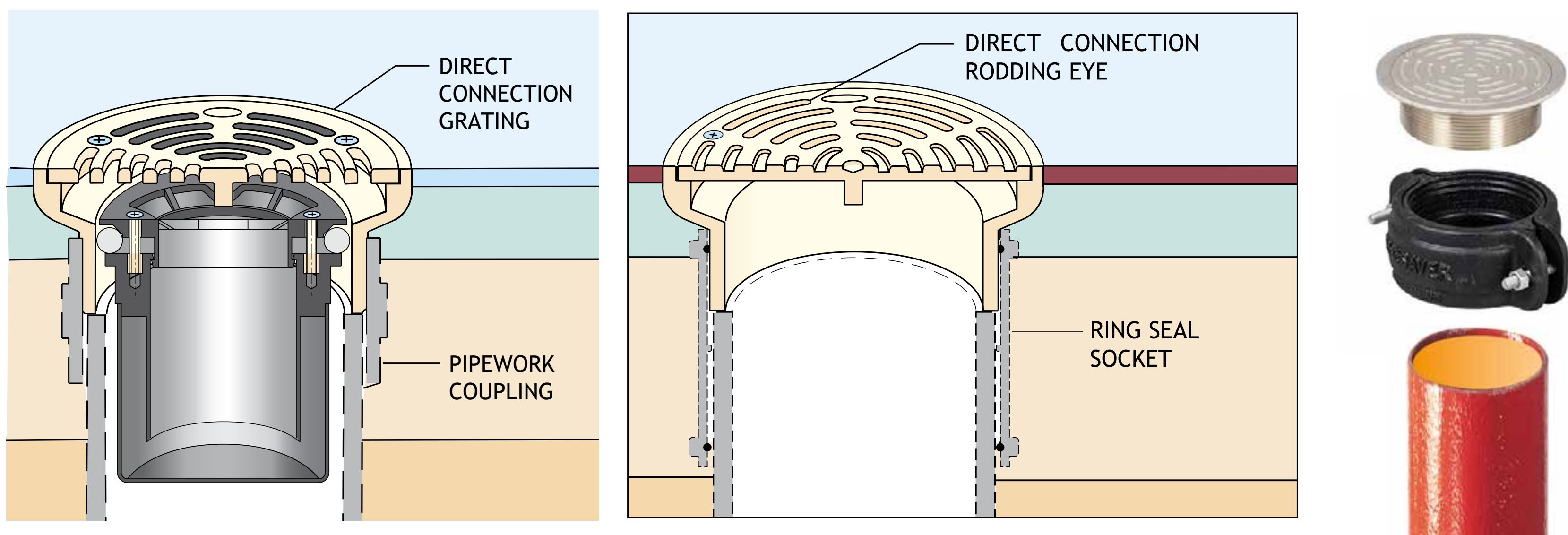


Direct Connection Guide

Direct Connection gullies look identical to Vari-Level gullies when installed, but are machined to enable direct connection to pipework by means of proprietary couplings or ring seal sockets. In most cases, one version of grating or access cover is suitable for all pipework of the same size. However, tolerances of castings and pipework are such that in some cases different versions of the same style and size of grating or access cover may be required for different pipework. This is made clear by the specification codes in the tables on the following pages.

	<p>Gratings</p>	<p>CI NB SS</p>	<p>High performance gratings suitable for all types of flooring and finishes.</p>
	<p>Rodding Eyes</p>	<p>CI NB SS</p>	<p>High performance rodding eyes - gasketed and double sealed options with hinged and secured versions.</p>
	<p>Accessories</p>	<p>PL</p>	<p>Complimentary accessories, including traps and filter buckets.</p>
	<p>Adaptors</p>	<p>CI SS PL</p>	<p>A range of connectors to suit new or existing pipework for direct connection.</p>

Typical Installations / Assembly



Direct Connection Gratings - range summary

Direct Connection floor drainage gratings serve as the visible surface covering for floor drains, providing an effective solution for water removal in various applications. Designed to withstand heavy loads and facilitate efficient water flow, these gratings ensure optimal drainage performance and prevent water accumulation, enhancing safety and hygiene in residential, commercial, and industrial environments.

CI Cast Iron - Page 79

For use in unfinished floors, such as plant rooms and car parks. Suitable for restoration and refurbishment projects to match period architecture.



NB Nickel Bronze - Pages 80-82

For use in pedestrian areas to suit a variety of floor finishes, including ceramic and vinyl tiles, marble, paving, terrazzo, resin and wood.



SS Stainless Steel - Page 83-85

For use in high specification applications, including food preparation areas, prison cells, showers, and areas where high corrosion resistance is a requirement.



CI Accessories - Pages 90-91

A selection of accessories is available for use with direct connection gratings, including bolt-on funnels, filter buckets, pipe adaptors, and other practical accessories for specialist applications.

MS



Direct Connection Gratings - cast iron

Circular Gratings - for tiled, resin and concrete floors

CI

K2193CI

K2591



Note: Optional Asphalt membrane clamp available - add suffix 'A'

Spec Code	Overall Size (mm)	Overall Height (mm)	Outlet size (o.d)	Aperture size (mm)	Free Area (cm ²)	Load Rating	Weight (kg)
K2193CI	155	54	110mm	7	58	L15	1.7
K2591	176	60	110mm	11	85	L15	1.8

Optional Extras

H - add suffix 'H' to add Pin Torx screws for security applications

Square Gratings - for tiled, resin and concrete floor finishes

CI

L2591CI

L2691



Spec Code	Overall Size (mm)	Overall Height (mm)	Outlet size (o.d)	Aperture size (mm)	Free Area (cm ²)	Load Rating	Weight (kg)
L2591CI	150	57	110mm	14	60	K3	2.3
L2691	150	57	110mm	7	55	L15	1.7

Optional Extras

H - add suffix 'H' to add Pin Torx screws for security applications

Direct Connection Gratings - nickel bronze

Introduction

Design Considerations

Adjustable Height

Fixed Height

Bespoke

Specification

Circular Gratings - for tiled, resin and concrete floors

NB

K21 Series



K2491



Note: For use with trowel applied composition flooring. 4mm flange depth

K2691



Note: To take multiple indirect waste pipes; with peripheral grating (funnel not secured)

K2791



Note: To take single indirect waste pipe; with peripheral grating (funnel not secured)

K3301



Note: To take single indirect waste pipe; with peripheral cover and vermin guard

K3392



Note: To take multiple indirect waste pipes; with peripheral cover and vermin guard

K2291



Note: Indirect waste connector (grating not secured)

K3191



K1941



Note: With central securing screw

K2041



Note: Grating not secured

Spec Code	Overall Size (mm)	Overall Height (mm)	Outlet Size (O.D mm)	Aperture size (mm)	Free Area (cm ²)	Load Rating	Weight (kg)
K2191	125	48	110	6	40	K3	1.0
K2193	152	53	110	6	58	L15	1.5
K2491	152	53	110	6	58	L15	1.9
K2691	176	72	110	15	42	-	4.1
K2791	176	72	110	12	48	-	3.2
K3391	150	53	110	-	23	-	2.7
K3392	150	53	110	-	42	-	3.7
K2291	176	72	110	7	75	L15	2.5
K3191	135	78	110	16	45	L15	1.0
K1941	98	50	2" BSP	14	11	K3	0.9
K2041	98	50	2" BSP	14	11	K3	0.9

Optional Extras

H - add suffix 'H' to add Pin Torx screws for security applications

I - add suffix 'I' to add a direct connection waste pipe, please specify size BSP 1" or 2". (applicable to K2191, K2193 & K2401 only)

Direct Connection Gratings - nickel bronze

NB

Circular Gratings - for flexible sheet flooring

K2392



K3492



Note: For use with flexible sheet flooring such as vinyl; with peripheral cover and vermin guard

K3491



Note: For use with flexible sheet flooring such as vinyl; with peripheral cover and vermin guard

N111



Note: For use with flexible sheet flooring such as vinyl; with peripheral cover and vermin guard

N112



Note: For use with flexible sheet flooring such as vinyl; with peripheral cover and vermin guard

N211



Note: For use with flexible sheet flooring such as vinyl; with peripheral cover and vermin guard

N213



Note: For use with flexible sheet flooring such as vinyl; with peripheral cover and vermin guard

N215



Note: For use with flexible sheet flooring such as vinyl; with peripheral cover and vermin guard

N217



Note: For use with flexible sheet flooring such as vinyl; with peripheral cover and vermin guard

N3 Series



Note: For use with flexible sheet flooring such as vinyl; with peripheral cover and vermin guard

N405



Note: For use with flexible sheet flooring such as vinyl; with peripheral cover and vermin guard

N410



Note: For use with flexible sheet flooring such as vinyl; with peripheral cover and vermin guard

Spec Code	Overall Size (mm)	Overall Height (mm)	Outlet size	Aperture size (mm)	Free Area (cm ²)	Load Rating	Weight (kg)
K2392	176	60	110mm O.D	6	48	L15	2.0
K3491	176	60	110mm O.D	-	12	-	3.3
K3492	176	60	110mm O.D	-	21	-	4.2
N111	40	50	1½" BSP Male	14	32	L15	0.6
N112	40	50	1½" BSP Male	14	32	L15	0.7
N211	40	54	1½" BSP Female	7	32	L15	1.4
N213	40	54	1½" BSP Female	7	32	L15	2.1
N215	50	54	2" BSP Female	7	32	L15	1.2
N217	50	54	2" BSP Female	7	32	L15	1.9
N301	75	54	3" O.D	7	32	L15	1.3
N303	82	54	3" O.D	7	32	L15	1.2
N305	75	54	3" O.D	7	32	L15	1.3
N405	100	79	4" O.D	7	32	L15	2.2
N410	100	79	4" O.D	7	32	L15	2.2

Optional Extras

H - add suffix 'H' to add Pin Torx screws for security applications
I - add suffix 'I' to add a direct connection for waste pipe, please specify tapped size BSP 1", 2" or 3" (N2-N4 Series can be tapped to 1" or 1½". K2392 can be tapped to 2" or 3")

Direct Connection Gratings -nickel bronze

Square Gratings - for tiled , resin and concrete floor finishes

NB

L21 Series



L2292



L2391



Note: can be tapped to accept 1" BSP waste pipe; add suffix 'I'

L2891



Note: To take single indirect waste pipe; with peripheral cover and vermin guard

L2893



Note: To take multiple indirect waste pipes; with peripheral cover and vermin guard

L2591



L3091



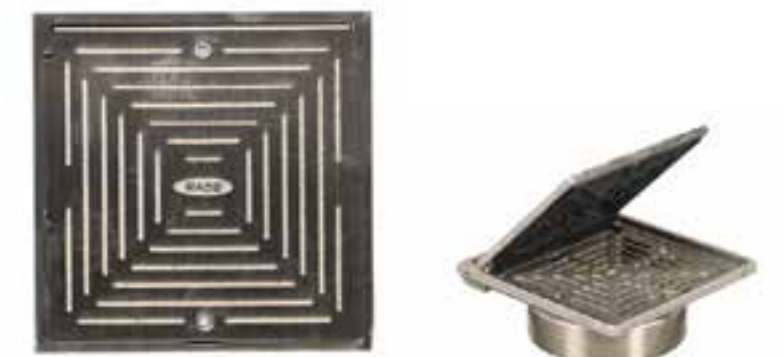
Note: Hinged

L5391



Note: Grating concealed by solid hinged cover.

L5491



Note: Grating concealed by solid hinged cover with sealed cover

L1941



Note: With central securing screw

L2041



Note: Grating not secured

Spec Code	Overall Size (mm)	Overall Height (mm)	Outlet size O.D	Aperture size (mm)	Free Area (cm2)	Load Rating	Weight (kg)
L2192	135	53	110mm	6	60	L15	1.7
L2193	150	57	110mm	8	82	L15	1.9
L2194	201	70	110mm	8	156	L15	3.9
L2292	125 x 430	70	110mm	6	155	L15	5.6
L2391	150	48	110mm	6	40	L15	1.3
L2891	150	48	110mm	-	12	-	3.4
L2893	150	57	110mm	-	21	-	4.4
L2591	150	57	110mm	13	60	L15	2.1
L3091	161	60	110mm	7	92	L15	2.3
L5391	150	55	110mm	4	44	L15	2.6
L5491	150	55	110mm	4	44	L15	2.6
L1941	100	50	2" BSP Female	14	11	K3	0.9
L2041	100	50	2" BSP Female	14	11	K3	0.9

Optional Extras

H - add suffix 'H' to add Pin Torx screws for security application

I - add suffix 'I' to add a direct connection for waste pipe, please specify tapped size BSP 1" - L2391 Only

Direct Connection Gratings - stainless steel

Circular Gratings - for resin and concrete floor finishes

SS



Note: For use with trowel applied composition flooring. 6mm flange depth

Note: self securing loose grating

Note: self securing loose grating

Spec Code	Overall Size (mm)	Overall Height (mm)	Outlet size (mm)	Aperture size (mm)	Free Area (cm ²)	Load Rating	Weight (kg)
K2197	150	53	110	6	58	L15	1.0
K2497	150	53	110	6	58	L15	2.5
K2891	140	50	110	7	13	L15	1.4

Optional Extras

H - add suffix 'H' to add Pin Torx screws for security applications (excluding K2891)

I - add suffix 'I' to add a direct connection waste pipe, please specify size BSP 1" or 2". (excluding K2891)

M - add suffix 'M' for grade 316 stainless steel
P - add suffix 'P' for polished finish

Circular Gratings - for flexible sheet flooring

CI SS



Note: Sheradised cast iron frame.

Note: Sheradised cast iron frame. Grating can be tapped to accept 1" BSP waste pipe; add suffix 'I'

Note: sheradised cast iron frame. To take single indirect waste pipe; with peripheral cover and vermin guard

Spec Code	Overall Size (mm)	Outlet Size (OD mm)	Throat Dia (mm)	Aperture size (mm)	Free Area (cm ²)	Load Rating	Weight (kg)
K1897	176	60	110	6	26	K3	2.0
K2397	176	60	110	6	48	L15	2.0
K3497	176	60	110	N/A	35	N/A	2.3

Optional Extras

H - add suffix 'H' to add Pin Torx screws for security applications (excluding K1897)

M - add suffix 'M' for grade 316 stainless steel (excluding K1897)

P - add suffix 'P' for polished finish

Circular Gratings - security applications

SS



Note: Security area drainage (2mm apertures) with Pin Torx screws

Note: Security area drainage (4mm apertures) with Pin Torx screws

Note: Security area drainage for use with flexible sheet flooring such as vinyl (2mm apertures) with Pin Torx screws
Sheradised cast iron frame

Note: Security area drainage for use with flexible sheet flooring such as vinyl (4mm apertures) with Pin Torx screws
Sheradised cast iron frame

Spec Code	Overall Size (mm)	Overall Height (mm)	Outlet Size (OD mm)	Aperture size (mm)	Free Area (cm ²)	Load Rating	Weight (kg)
K3592	150	54	110	2	5	K3	1.3
K3594	150	54	110	4	20	K3	1.3
K3692	176	60	110	2	5	K3	1.8
K3694	176	60	110	4	20	K3	1.8

Optional Extras

M - add suffix 'M' for grade 316 stainless steel

P - add suffix 'P' for polished finish (K3692 K3694 with)

Note: Water will only drain through smaller than 4mm aperture with a head of water to break the surface tension, also that other sized apertures are available on request (minimum 2mm)

Direct Connection Gratings - stainless steel

Square Gratings - for tiled, resin and concrete floor finishes

SS

L2196

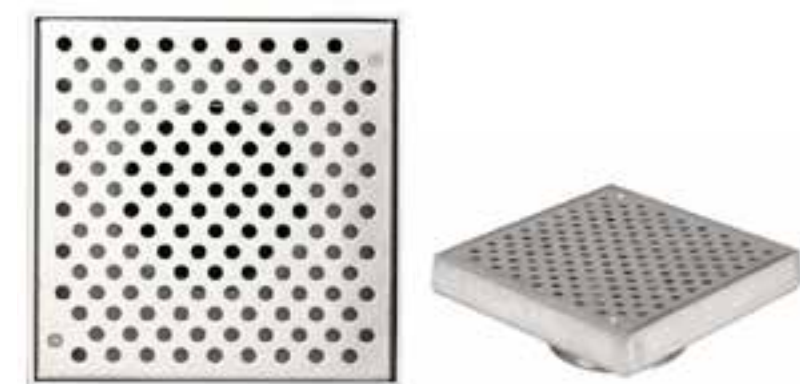


L29 Series



Note: Streamline heel-proof reverse wedge profile grating is secured with Pin Hex screws

L31 Series



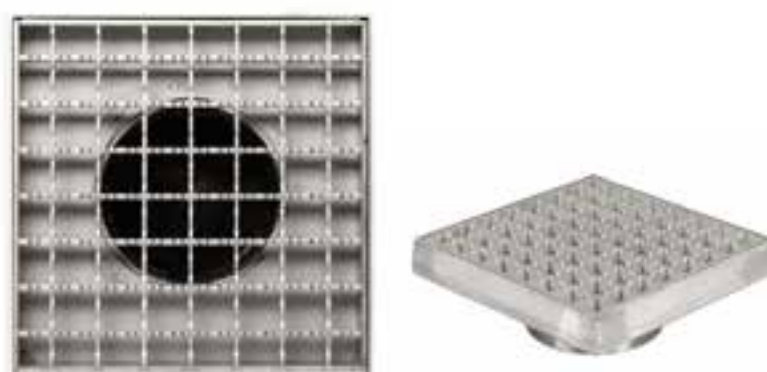
Note: Circular aperture

L32 Series



Note: Square aperture

L33 Series



Note: Anti-slip mesh (grating not secured)

L34 Series



Note: Grating not secured

L53 Series



Note: Hinged cover with a circular non-secured grating inside.

L2791



Note: to take single indirect waste pipe; with peripheral cover and vermin guard

L1947



Note: With central securing screw

Spec Code	Overall Size (mm)	Overall Height (mm)	Outlet size o.d. (mm)	Aperture size (mm)	Free Area (cm ²)	Load Rating	Weight (kg)
L2196	147	57	110	8	82	L15	1.4
L2991	150	75	110	5	105	L15	1.6
L2992	200	75	110	5	216	L15	2.5
L3191	150	75	110	8	34	K3	1.6
L3192	200	75	110	8	75	K3	2.5
L3291	150	75	110	8	38	K3	1.6
L3292	200	75	110	8	74	K3	2.5
L3391	150	75	110	23	150	L15	1.8
L3392	200	75	110	23	290	L15	2.8
L3491	150	75	110	23	150	L15	1.8
L3492	200	75	110	23	290	L15	2.8
L5395	135	55	110	6	31	K3	1.1
L5398	147	55	110	6	31	K3	1.3
L2791	150	57	110	N/A	35	N/A	2.2
L1947	100	50	110	14	11	K3	0.9

Optional Extras

H - add suffix 'H' to add Pin Torx screws for security applications (Excluding L2991, L2992, L5395 and L5398)

M - add suffix 'M' for grade 316 stainless steel

P - add suffix 'P' for polished finish (not applicable to L33 series and L34 series. L2791 is polished as standard)

Direct Connection Gratings - stainless steel

Square Gratings - for flexible sheet flooring

SS

L35 Series



L36 Series



Note: Anti-slip mesh (grating not secured).

L37 Series



Note: Streamline heel-proof reverse wedge profile secured with pin hex screws

L38 Series



Note: Circular aperture

L39 Series



Note: Square aperture

Spec Code	Overall Size (mm)	Overall Height (mm)	Outlet size o.d. (mm)	Aperture size (mm)	Free Area (cm ²)	Load Rating	Weight (kg)
L3591	173	98	110	23	150	L15	2.8
L3592	223	98	110	23	290	L15	3.8
L3691	173	98	110	23	150	L15	2.8
L3692	223	98	110	23	290	L15	2.8
L3791	173	98	110	5	105	L15	2.7
L3792	223	98	110	5	216	L15	3.6
L3891	173	98	110	8	34	K3	2.6
L3892	223	98	110	8	75	K3	3.5
L3991	173	98	110	8	38	K3	2.6
L3992	223	98	110	8	74	K3	3.5

Optional Extras

H - add suffix 'H' to add Pin Torx screws for security applications (excluding L3791 & L3792)
M - add suffix 'M' for grade 316 stainless steel
P - add suffix 'P' for polished finish (not applicable to L35 and L36 series)

Direct Connection Rodding Eyes - Range Summary

Direct Connection floor drainage rodding eyes are specialised fixtures designed to facilitate easy access and maintenance of underground drainage pipes. With their robust construction and user-friendly design, they are suitable for use in residential, commercial, or industrial settings, and play a crucial role in ensuring efficient and effective drainage system management.

<p>CI Cast Iron - Page 90</p> <p>For use in unfinished floors, such as plant rooms and car parks. Suitable for restoration and refurbishment projects to match period architecture.</p>	
<p>NB Nickel Bronze - Page 87-88</p> <p>For use in pedestrian areas to suit a variety of floor finishes, including ceramic and vinyl tiles, marble, paving, terrazzo, resin and wood.</p>	
<p>SS Stainless Steel - Page 89</p> <p>For use in high specification applications, including food preparation areas, prison cells, showers, and areas where high corrosion resistance is a requirement.</p>	
<p>CI Accessories - Pages 90-91</p> <p>SS</p> <p>NB</p> <p>PL</p> <p>MS</p> <p>A selection of accessories is available for use with direct connection rodding eyes, including bolt-on funnels, filter buckets, pipe adaptors, and other practical accessories for specialist applications.</p>	

Introduction

Design Considerations

Adjustable Height

Fixed Height

Bespoke

Specification

Direct Connection Rodding Eyes

Circular Rodding Eye - for resin and concrete floor finishes

CI

K5891



Note: 'SuperSeal' (double sealed)

Spec Code	Overall Size (mm)	Overall Height (mm)	Outlet size (o.d.) (mm)	Seal Type	Load Rating	Weight (kg)
K5891	176	60	110	SuperSeal	M125	2.7

Optional Extras

H - add suffix 'H' to add Pin Torx screws for security applications

Square Rodding Eye - for tiled, resin and concrete floor finishes

CI

L5791



Note: 'SuperSeal' (double sealed)

Spec Code	Overall Size (mm)	Overall Height (mm)	Outlet size (o.d.) (mm)	Seal Type	Load Rating	Weight (kg)
L5791	150	57	110	SuperSeal	L15	3.6

Optional Extras

H - add suffix 'H' to add Pin Torx screws for security applications

Circular Rodding Eyes - for resin and concrete floor finishes

NB

K52 Series



Note: Gasketed

K5391



Note: Gasketed - for use with trowel applied composition flooring. 4mm flange depth

K5491



Note: Plug with 'O' ring seal for use in plunge and foot baths

Coming Soon!
Product Image

K5591



Note: 'SuperSeal' (double sealed)

K5791



Note: 'SuperSeal' (double sealed). Recessed (19mm depth) for flooring material

Spec Code	Overall Size (mm)	Overall Height (mm)	Outlet size (o.d.) (mm)	Seal Type	Load Rating	Weight (kg)
K5292	150	48	110	Gasketed	L15	2.0
K5293	150	48	110	Gasketed	L15	2.0
K5391	152	53	110	Gasketed	L15	2.1
K5491	155	54	110	O-Ring	L15	2.3
K5591	152	53	110	SuperSeal	L15	1.8
K5791	152	65	110	SuperSeal	L15	2.4

Optional Extras

H - add suffix 'H' to add Pin Torx screws for security applications

I - add suffix 'I' to add a direct connection waste pipe, please specify size BSP 1", 2" or 3" (excluding K5591 & K5791)

Direct Connection Rodding Eyes

Circular Rodding Eyes - for flexible sheet flooring

NB

K5192



Note: Gasketed
Sheradised cast iron frame

K5193



Note: Gasketed
Sheradised cast iron frame

K5691



Note: 'SuperSeal' (double sealed)

Spec Code	Overall Size (mm)	Overall Height (mm)	Outlet size (o.d.) (mm)	Seal Type	Load Rating	Weight (kg)
K5192	176	60	110	Gasketed	L15	2.5
K5193	250	58	110	Gasketed	L15	4.5
K5691	176	60	110	SuperSeal	L15	2.3

Optional Extras

H - add suffix 'H' to add Pin Torx screws for security applications
I - add suffix 'I' to add a direct connection waste pipe, please specify size BSP 1", 2" or 3" (excluding K5691)

Square Rodding Eyes - for tiled, resin and concrete floor finishes

NB

L5191



Note: Gasketed

L5193



Note: Gasketed

L5291



Note: Hinged cover in square frame (unsealed)

L5391/L5491



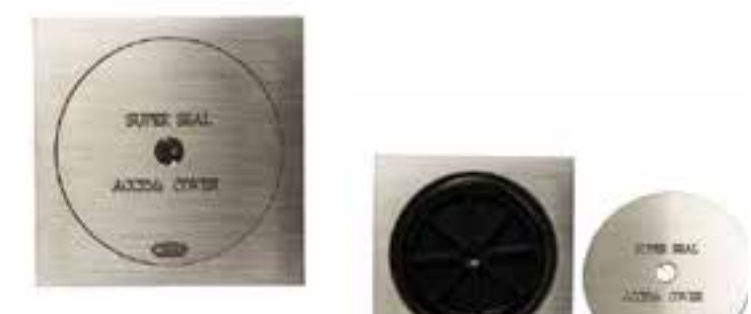
Note: Hinged cover with grating inside. L54 version has sealed cover, (L53 unsealed)

L5591



Note: 'SuperSeal' (double sealed)

L5691



Note: 'SuperSeal' (double sealed)

Spec Code	Overall Size (mm)	Overall Height (mm)	Outlet size (o.d.) (mm)	Seal Type	Load Rating	Weight (kg)
L5191	135	42	110	Gasketed	L15	1.4
L5193	160	60	110	Gasketed	L15	2.7
L5291	150	48	110	Unsealed	L15	1.5
L5391	150	55	110	Unsealed	L15	2.6
L5491	150	55	110	Gasketed	L15	2.6
L5591	150	57	110	SuperSeal	L15	2.6
L5691	150	48	110	SuperSeal	L15	1.7

Optional Extras

H - add suffix 'H' to add Pin Torx screws for security applications
I - add suffix 'I' to add a direct connection waste pipe, please specify size BSP 1", 2" or 3" (excludes L5291, L5391, L5491, L5591 & L5691)

Direct Connection Rodding Eyes

Circular Rodding Eyes - for resin and concrete floor finishes

SS

K5297



Note: Gasketed

K5597



Note: 'SuperSeal' (double sealed)

K5397



Note: Gasketed - for use with trowel applied composition flooring. 6mm flange depth

Spec Code	Overall Size (mm)	Overall Height (mm)	Outlet size (o.d.) (mm)	Seal Type	Load Rating	Weight (kg)
K5297	150	53	110	Gasketed	L15	1.2
K5597	150	53	110	SuperSeal	L15	1.4
K5397	150	53	110	SuperSeal	L15	1.8

Optional Extras

- H - add suffix 'H' to add Pin Torx screws for security applications
- I - add suffix 'I' to add a direct connection waste pipe, please specify size BSP 1", 2" or 3" (excluding K5597)
- M - add suffix 'M' for grade 316 stainless steel
- P - add suffix 'P' for polished finish

Circular Rodding Eyes - for flexible sheet flooring

CI SS

K5197



Note: Sheradised cast iron frame

K5697



Note: 'SuperSeal' (double sealed) Sheradised cast iron frame

Spec Code	Overall Size (mm)	Overall Height (mm)	Outlet size (o.d.) (mm)	Seal Type	Load Rating	Weight (kg)
K5197	176	60	110	Unsealed	L15	1.9
K5697	176	60	110	Superseal	L15	2.4

Optional Extras

- H - add suffix 'H' to add Pin Torx screws for security applications
- I - add suffix 'I' to add a direct connection waste pipe, please specify size BSP 1", 2" or 3" (excluding K5697)
- M - add suffix 'M' for grade 316 stainless steel (sheradised cast iron frame)
- P - add suffix 'P' for polished finish

Square Rodding Eyes - for tiled, resin and concrete floor finishes

SS

L53 Series



Note: Hinged cover with a circular non-secured grating inside. (unsealed).

L5597



Note: 'Superseal' (double sealed)

L5897



Note: 'SuperSeal' (double sealed). Recessed for flooring material (22mm recess depth)

Spec Code	Overall Size (mm)	Overall Height (mm)	Outlet size (o.d.) (mm)	Seal Type	Load Rating	Weight (kg)
L5395	135	55	110	Unsealed	K3	1.1
L5398	150	60	110	Unsealed	K3	1.3
L5597	147	57	110	SuperSeal	L15	1.9
L5897	150	75	110	SuperSeal	L15	2.0

Optional Extras

- H - add suffix 'H' to add Pin Torx screws for security applications (excluding L53 series),
- M - add suffix 'M' for grade 316 stainless steel
- P - add suffix 'P' for polished finish

Direct Connection Accessories

Filter Buckets, Removable Bottle Trap and Backwater Valve for use inside throat of grating and frames with 4" throats. Only one accessory can be used per installation.

Filter Buckets

PL

UP701



For use with direct connection gratings/tundish with 110mm outlets. Will not work with backwater valves and removable bottle traps

Note:

- Not compatible with: K1807, K1897, K2801, K2891.

UP702



Deep version for use with direct connection gratings and tundishes with 110mm outlets. Will not work with backwater valves and removable bottle traps

Note:

- Compatible with 4" Vertical non-trapped bodies. Please check with Wade technical.
- Not compatible with: K1807, K1897, K2801, K2891.
- Sufficient space will need to be provided in pipework below to allow room to fit

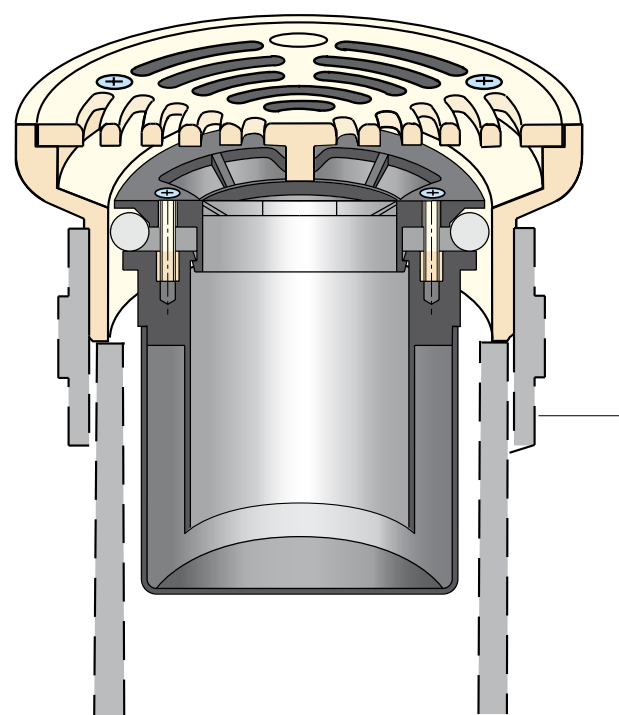
Removable Bottle Trap

PL

U1404



50mm seal. Max flow rate of 1l/s



Note:

- Compatible with direct connection gratings and tundishes with 110mm outlets. Please check with Wade technical.
- Not compatible with: K1807, K1897, K2801, K2891.
- Sufficient space will need to be provided in pipework below to allow room to fit

Backwater Valve

SS

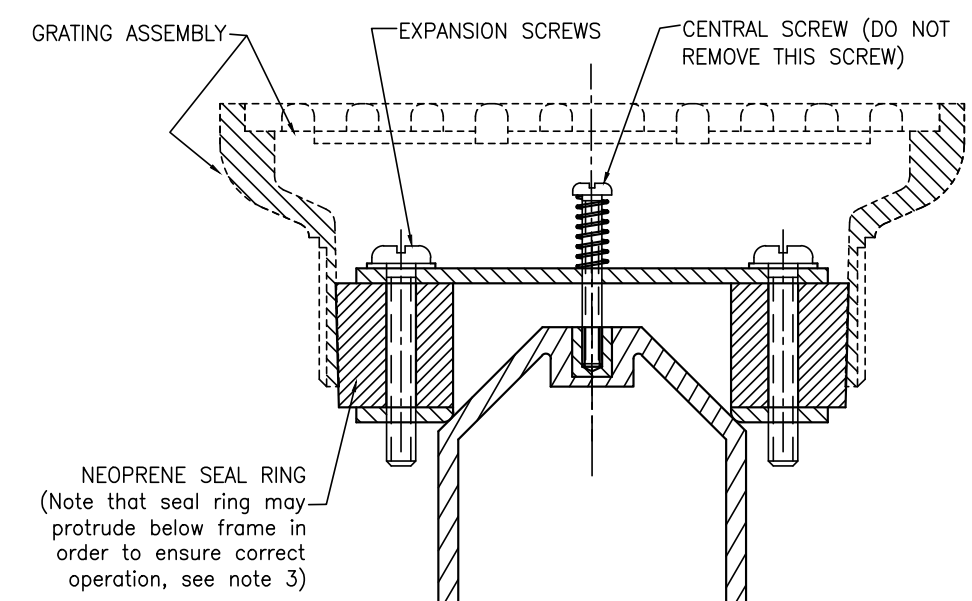
PL

U704



Note:

- Compatible with direct connection gratings and tundishes with 110mm outlets. Please check with Wade technical.
- Not compatible with: K1807, K1897, K2801, K2891.



Direct Connection Accessories

The following are compatible with all fixed height products except where stated otherwise.

Pipework Adaptors

CI PL

T1103



T1501



T1603



Product Code	Product Material	Description	Coupling Outside Diameter (mm)	Pipework Min/Max Outside Diameter (mm)	Overall Length (mm)	Weight (kg)
T1103	HDPE/Neoprene	Push Fit Coupling	140	110-119 to 122	92	0.2
T1501	EDPM/Stainless Steel	Flexible Coupling	135	100-115 to 100-115	100	0.3
T1603	Cast Iron/EDPM/Stainless Steel	Mechanical Joint Coupling	158	85-89 to 70-75	38	1.1

Tapered Outlet Plug

PL

UX9901



Tapered to temporarily plug 100mm inlet or outlet during installation

Male Hollow Plug

CI

U1802



Malleable iron 2" BSP male hollow plug. Used to block a side inlet; must be sealed

Bolt-on funnels

SS NB CI MS

U501



Note: To take single indirect waste pipe

U502



Note: To take single indirect waste pipe

U511



Note: To take single indirect waste pipe

U601



Note: To take multiple indirect waste pipe. (for use with gratings with a minimum 150mm dia/sq)

U602



Note: To take multiple indirect waste pipe. (for use with gratings with a minimum 150mm dia/sq)

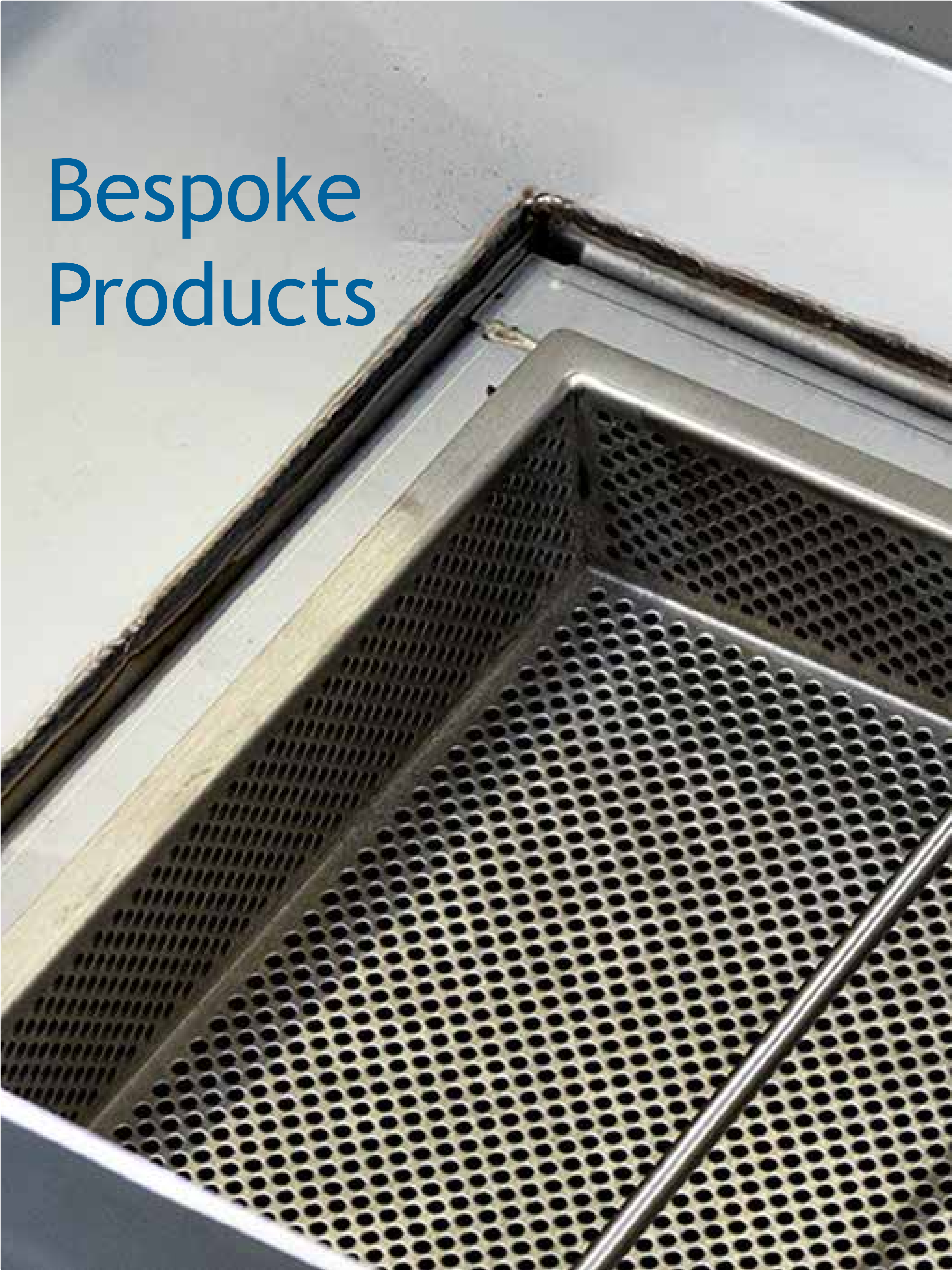
U611



Note: To take multiple indirect waste pipe. (for use with gratings with a minimum 150mm dia/sq)

Spec Code	Material	Overall Width (mm)	Overall Length (mm)	Overall Height (mm)	Free Area (cm ²)	Weight (kg)
U501	NB	101	101	101	23	1.0
U502	Mild Steel	101	101	101	23	1.2
U511	SS Polished	101	101	100	92	0.9
U601	NB	85	222	96	42	2.0
U602	Mild Steel	82	225	96	42	2.2
U611	SS	82	222	96	42	2.0

Bespoke Products



Bespoke Products

Your requirements, met by our products

At Wade, we understand that each building is different, and that the needs of a building will often change during its life. Whether you're working on new projects or refurbishment, we can offer a comprehensive, made-to-measure service, and provide best practice advice on projects large and small.

Virtually anything is possible when it comes to drainage; from aesthetic integrity for high-end specifications, to practical functionality for industrial drainage, Wade can help.

Our range of products in cast iron, stainless steel and nickel bronze can be adapted to create one-off, project-specific solutions for both heritage and contemporary buildings.

Equipped with the latest manufacturing technology, our in-house facility allows the design and manufacture of a wide range of products, including bespoke or made-to-measure solutions. Where applicable, processes are automated for efficiency and combined with a skilled workforce.

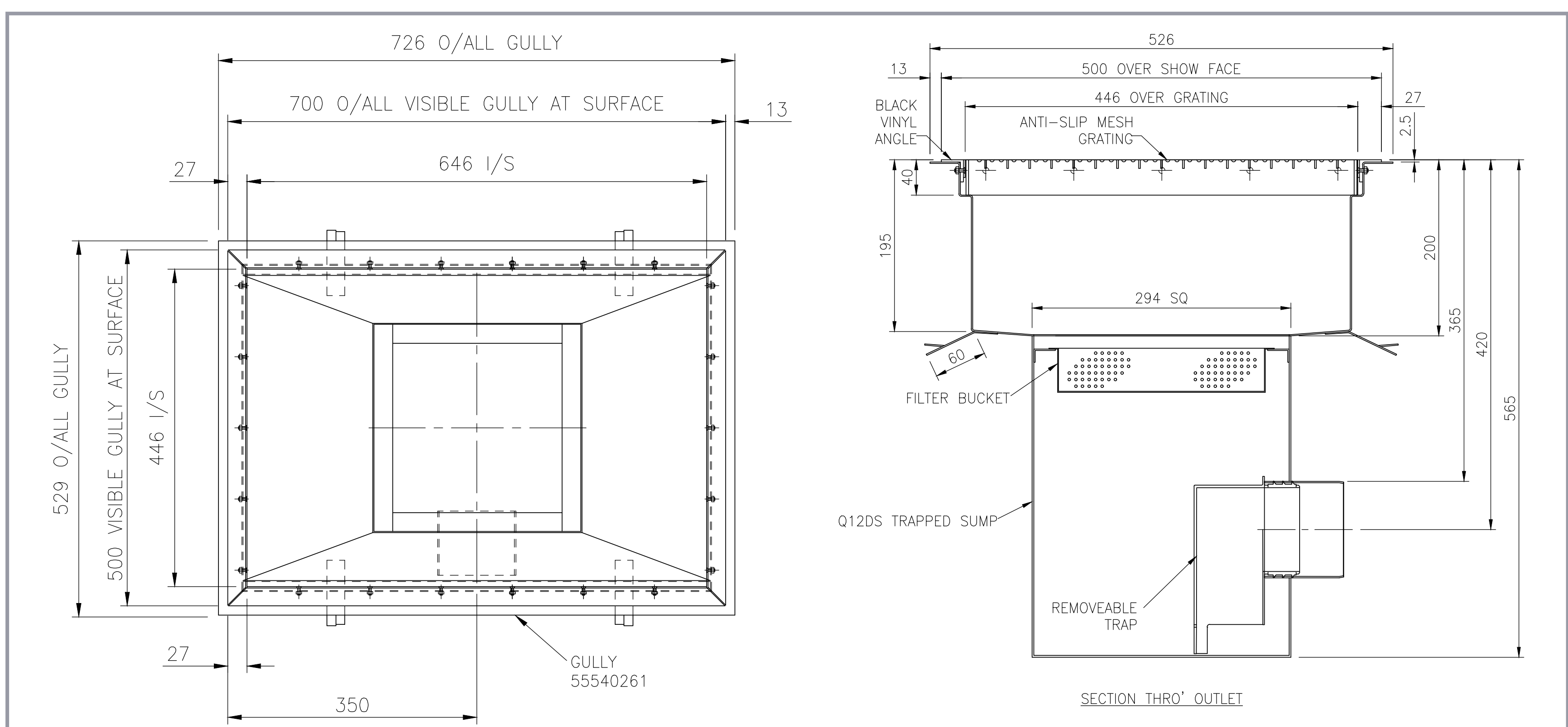


Bespoke Products

100L capacity commercial kitchen dump drain

Large commercial kitchens, such as those found in schools, hospitals and private sector restaurants, require an efficient means of dumping large amounts of water, often hot, from bratt pans and other similar appliances. This 100 litre capacity dump gully was designed and manufactured to meet the client's exacting specification.

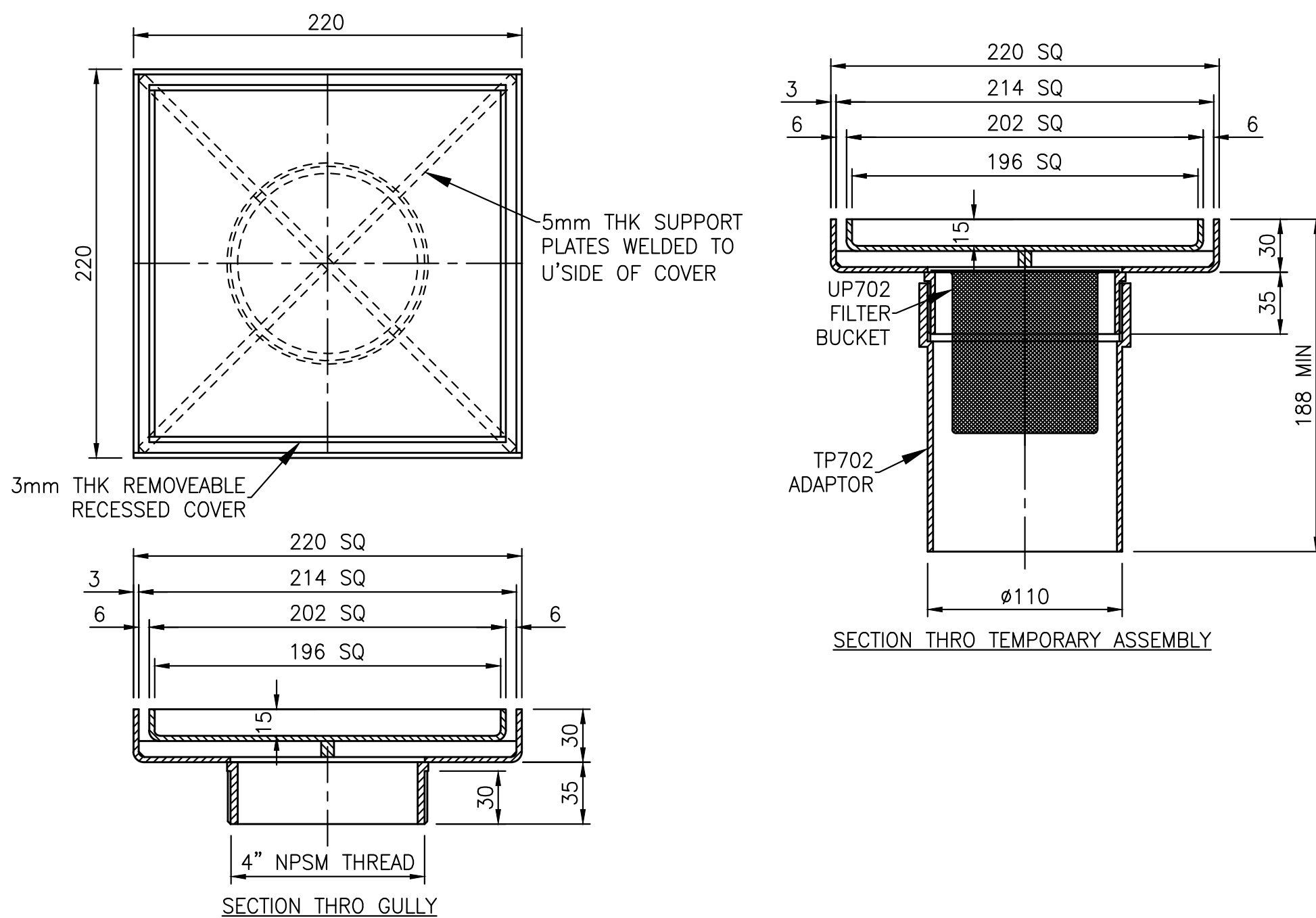
- Bespoke 304 grade stainless steel floor gully.
- Designed to take 100 litres dumped from a kitchen bratt pan.
- For use in a flexible vinyl floor finish, with RPV edge for welding.
- Sump designed for compatibility with on-site pipework requirements.



New Everton FC stadium, Liverpool

Our ability to manufacture bespoke sizes, provides clients with total flexibility when it comes to aesthetics and performance. In this example, the client wanted to integrate the gully top into the floor covering to provide a seamless, unobtrusive design.

We were able to produce a high specification stainless steel peripheral slot grating with square recess, to sit over a trapped gully, resulting in seamless surface water drainage.

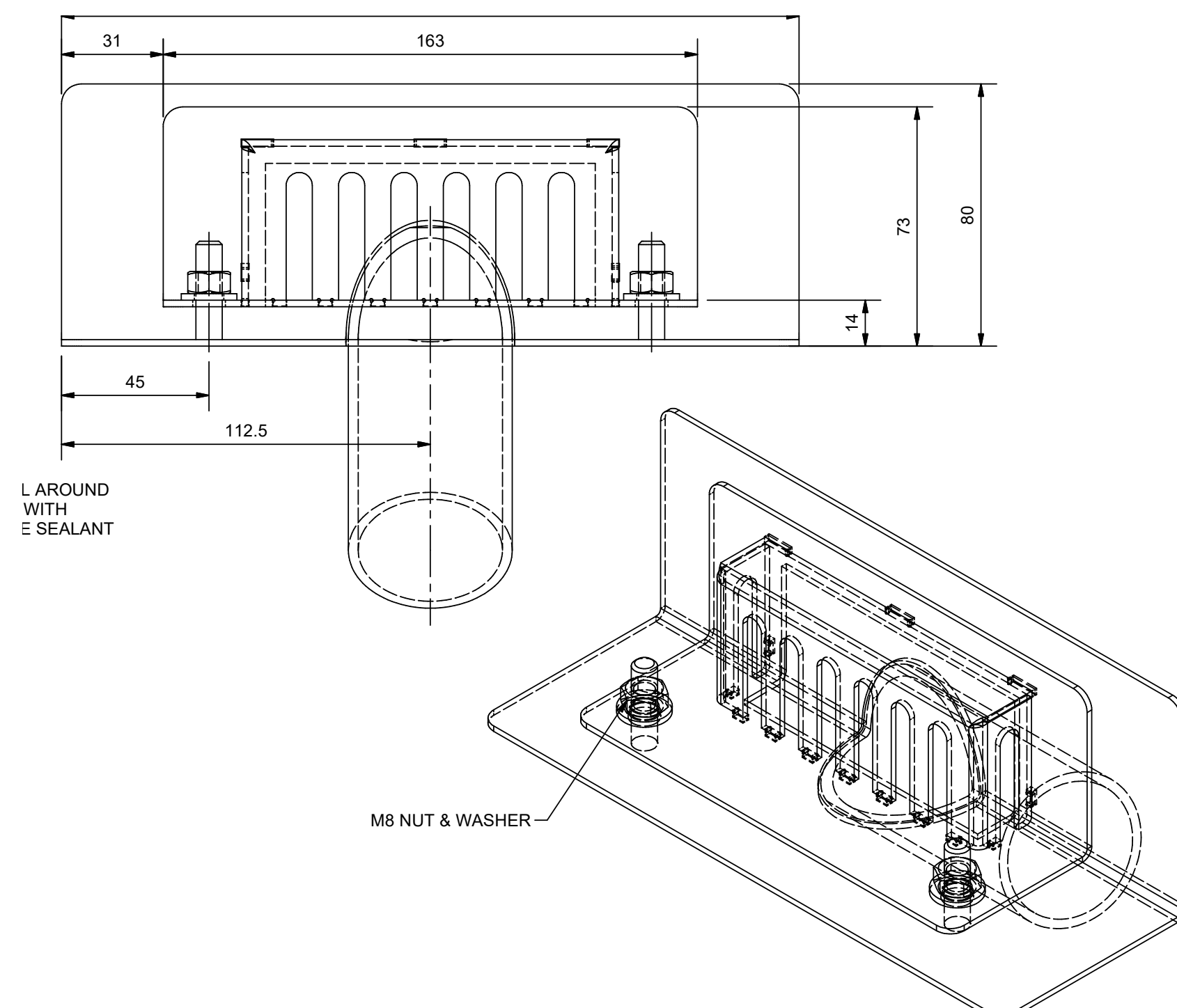


- A custom-made, square-topped gully with recessed central cover for infilling with the floor finishes
- Peripheral drain slot, to suit the site floor finish, depth, functionality and aesthetic requirements
- Insert bottle trap and vari-level threaded pipework adaptor for ease of installation and performance.

Museum of London, Docklands London

Working closely alongside the installing contractors and architect, we can offer efficient, practical solutions to suit your project timeline and specification. Our technical team understands the pressures of meeting project deadlines and can offer advice on best practice for all manner of drainage configurations..

- A custom-made grade 304 stainless steel, 'L' shaped outlet, designed to receive and seal a damp-proof membrane.
- Restricted space on site meant that this narrow compact design was needed to allow sufficient room for installation whilst providing the right amount of flow for optimum drainage capacity.
- The project timeline dictated a quick turnaround, Wade was able to provide swift drawings for sign-off, and a short lead-time.



Specification - Care & Maintenance

Materials and finish of Wade floor gullies and access covers, described below, are selected to provide lasting performance and to blend with surroundings. The products require the minimum of maintenance, but periodic inspection should be carried out to ensure absence of matter which could impede drainage. Measures set out below will sustain appearance and prolong service life.

Stainless Steel - Grade 304 /316

SS

Used for bodies, gratings, funnels, rodding eyes, filter buckets and fixings.

A corrosion-resistant metal containing significant amounts of nickel and chromium; AISI grade 304 stainless steel is used as standard, which is suitable for general use in and around buildings including most coastal locations. In applications such as swimming pools or having an aggressive atmosphere, grade 316 is recommended and is available on request. An even higher grade may be required for applications in highly corrosive environments including where exposure to seawater may be anticipated.

Clean with soap and warm water rinse and wipe dry. Gratings may also be cleaned in certain dishwashers.

Under no circumstances treat with metal scouring pads, metal scrapers or wire wool as these will contaminate surfaces leaving rust spots.

Nickel bronze - BS EN 1982

NB

Used with satin finish for gratings, funnels and rodding eyes. A cast alloy with a fine grain effect which blends well with most floor finishes. The satin finish is generally maintained by the slight abrasive action of passing traffic. In unused areas the material will gradually tarnish. To restore lustre, apply a plain nylon scouring pad (not soap-filled) in the direction of the grain. Note: Avoid covering nickel bronze items with plastic sheeting after installation, otherwise blackening may occur.

Ductile iron - BS EN 1563 + 1564

DI

Used only for gratings. A casting with the ductility of steel, yet with more than twice the tensile strength of cast iron. A zinc anti-corrosion coating is applied by sherardizing.

Cast iron - BS EN 1561

CI

Used for bodies, membrane clamping collars, threaded pipework adaptors and accessories such as extensions. A widely used metal in the drainage industry, its resistance to corrosion permits extended use under extreme conditions. Castings are coated with a high grade lacquer paint to provide internal and external surface coverage. Paint will gradually wear off and is replaceable; oxidation (surface rusting) is a natural process which does not weaken the material. A zinc anti-corrosion coating is applied to certain castings by sherardizing.

Polypropylene

PL

Used for the removable trap in stainless steel gullies. Maximum continuous operating temperature of 100°C.

ABS

PL

Used for bodies, dip tubes, extensions and threaded pipework adaptors. A cost-effective, fire-resistant material, with a maximum continuous operating temperature of 75°C.

Nylon 6

PL

Used for bottle trap, filter bucket and 'SuperSeal' plug. Chosen for its toughness and durability; maximum continuous operating temperature of 180°C.

Neoprene

PL

Used for gaskets and seals. Maximum continuous operating temperature of 100°C.

Nitrile

PL

Used for O-rings in 'SuperSeal' plug assemblies. Maximum continuous operating temperature of 110°C.

Silicone rubber

PL

Used for O-ring in removable bottle trap. Maximum continuous operating temperature of 250°C.

RODDING EYE

Removable, solid cover set in a frame at finished floor level to enable access to pipework or services without disturbing the floor finish; most versions are sealed.

ADAPTOR

Component used to connect one item to another.

APERTURES

Openings in a GRATING which may be holes or slots.

AUXILIARY INLET

See SIDE INLET

BACK INLET

See SIDE INLET

BACKWATER VALVE

Non-return valve fitted to a GRATING or BODY which prevents the flow of foul water back into a drained area.

BELL TRAP

TRAP with vertical inlet and outlet on the same axis.

BODY

Bowl-like part of a GULLY, fitted below or in the floor, on which the GRATING is generally fitted and to which pipework is connected; may be trapped or non-trapped.

BODY ASSEMBLY

Body with factory-fitted components.

BODY COLLAR

See MEMBRANE CLAMPING COLLAR

BUCKET

Removable receptacle fitted within a GULLY to intercept solids, debris etc.

CHANNEL GRATING

Long, narrow gratings fitted in a channel, or frame, to provide linear drainage.

CLAMP COLLAR/RING

See MEMBRANE CLAMPING COLLAR

CLAMPING DEVICE

See MEMBRANE CLAMPING COLLAR

CLEANOUT

See RODDING EYE

COVER

See RODDING EYE

DAMP-PROOF MEMBRANE (DPM)

Protective covering generally laid on top of a structural slab in a ground floor to prevent damp from entering the building. When a GULLY is fitted in such a floor, the membrane is dressed on the FLANGE, into the mouth of the BODY, and clamped with a MEMBRANE CLAMPING COLLAR to ensure a watertight joint.

DEEP SEAL

WATER SEAL of 75mm or more.

DIRECT CONNECTION

Version of BODY/GRATING/COVER, outlet of which is machined to enable direct connection to pipework.

EXTENSION

Accessory used to increase the effective height of a GRATING or COVER above a BODY.

FILTER BUCKET

See BUCKET

FFL

FINISHED FLOOR level.

FINISHED FLOOR

Floor covered with asphalt, carpet, ceramic tiles, flexible sheet, marble, paviers, resin, terrazzo, vinyl, or wood etc.

FLANGE

Part of the BODY leading to the mouth, over which the DAMP-PROOF MEMBRANE is laid.

FLEXIBLE SHEET

Flexible watertight finished layer for floors, affixed to the FLANGE by means of a CLAMPING COLLAR; requires GRATINGS and COVERS to suit.

FLOOR DRAIN

See GULLY

FLOW RATE

Maximum amount of liquid (litres/sec.) that can be drained, at a given head of water. See page 2 Design Considerations.

FRAME

Support for a GRATING or COVER which is connected to a BODY either directly or by means of a MEMBRANE CLAMPING COLLAR.

FUNNEL

Accessory to receive waste pipes, condensate lines or discharges from sinks, refrigeration units, boiling pans etc.

GRATE

See GRATING

GRATING

Removable component of a GULLY fitted at floor level; upper surface contains APERTURES to receive waste water; generally fitted in a FRAME; most versions are HEIGHT ADJUSTABLE (VARI-LEVEL or MULTI-LEVEL) and can be increased in height by means of an EXTENSION; versions available for DIRECT CONNECTION to pipework.

GRATING FREE AREA

Area of APERTURES in a GRATING, expressed in cm².

GULLY

Discharge fitting, the top of which is a GRATING or COVER, capable of installation at floor level, intended to receive waste water either through APERTURES in a GRATING and/or from pipes connected to the BODY of the gully, may be trapped or non-trapped.

HEAD OF WATER

Height of water above the GRATING, used to determine FLOW RATE.

HEIGHT ADJUSTABILITY

Facility to adjust the height of a GRATING or COVER above the FLANGE to suit floor level.

I.D.

Internal diameter.

K3

LOAD RATING class, see page 2 for details.

L15

LOAD RATING class, see page 2 for details.

LOAD RATING

Capability to withstand loads, expressed in classes, or N/mm². (see page 2 for details).

M125

LOAD RATING class, see page 2 for details.

MEMBRANE CLAMPING COLLAR

Used to clamp a DAMP-PROOF MEMBRANE to a BODY; supplied with some series as part of the BODY, but on others it is an option. (See Section 5C for Vari-Level versions).

M.J.

Mechanical joint.

MULTI-LEVEL

Range of gullies in which the height of a GRATING may be adjusted to suit floor level, using a 'peg and cam' principle.

O.D.

Outside diameter.

OUTLET

Part of BODY through which waste water is discharged into connecting pipework.

'P' TRAP

TRAP with a vertical inlet, and an OUTLET inclined slightly below the horizontal.

PLANT ROOM

Part of premises housing machinery and/or services.

PLANTING AREAS

Gardens, shrubberies etc., may be located on a roof.

'Q' TRAP

TRAP with a vertical inlet, and an outlet inclined at 45° below the horizontal.

RAISING PIECE

See EXTENSION

RODDING EYE/POINT

See RODDING EYE

'S' TRAP

TRAP with a vertical inlet and an offset outlet parallel to it.

SEAL

See WATER SEAL

SIDE INLET

Permits the underfloor connection of other fixtures (sinks, wash basins etc) into a GULLY.

STRAINER

Meshed accessory used to intercept debris. (term is sometimes used by others to denote GRATING).

STREAMLINE (GRATINGS)

Stainless steel (304) reverse wedge profile with 5mm slot width. Grade 316 available to order.

SUMP

Bowl of BODY; large sump enables sudden surges of waste water to be retained, thereby controlling flow through the GULLY.

SUPERSEAL

Range of quick-release, double-sealed RODDING EYE.

THREAD

Four standard types are used in Wade GULLIES:

BSP

(British Standard Pipe) - outlet thread of a BODY, connection to SIDE INLET;

BSPT

(British Standard Pipe, Tapered) - thread on screw-in THREADED PIPEWORK ADAPTORS;

NPSM

(National Pipe Straight Mechanical) - thread on GRATINGS allowing easy height adjustment when installed with BODY, MEMBRANE CLAMPING COLLAR, or ADAPTOR; Metric-I.S.O. - thread used for all fixing screws, studs etc.

THREADED PIPEWORK ADAPTOR

Converts threaded outlet BODY to a spigot outlet allowing connection to pipework using a proprietary coupling.

TRAP

Removable or integral part of a BODY which prevents, by means of a WATER SEAL, the passage of foul air from the outlet to the inlet.

TRAP SEAL

See WATER SEAL

TUNDISH

See FUNNEL

UNFINISHED FLOOR

Generally, bare concrete.

UNI-LEVEL

Range of gullies with non-height ADJUSTABLE grating.

VARI-LEVEL

Range of gullies comprising various BODIES which accept various GRATINGS and COVERS which are HEIGHT ADJUSTABLE with a fine thread to enable accurate installation at FINISHED FLOOR LEVEL.

VINYL

A form of flexible sheet flooring; requires GRATINGS and COVERS to suit.

WATER SEAL

Effective height of water (min. 50mm) in a trap which prevents the passage of foul air.

WEEPHOLES

(Optional) holes located in a MEMBRANE CLAMPING COLLAR or a BODY which provide supplementary drainage at membrane level.



Quality by Tradition • Performance by Design

Wade & Gatic
Third Avenue
Halstead
Essex
CO9 2SX

+44 (0) 1787 475 151

wadetech@alumascwms.co.uk



All reasonable care has been taken in the preparation of this brochure, all information, recommendation and guidance notes on the use of The Products are made without guarantee since the conditions of use are beyond the control of Alumasc Building Products Limited (The company). The customer is responsible for ensuring that each product is fit for its intended purpose and that conditions are suitable. The information contained in this brochure and advice arising there from is free of charge and accordingly on the terms that no liability nor liability for negligence will be attached to The Company or its servants in relation to any such service arising out of or in connection with this brochure. The Company pursues a policy of constant product development and information contained in this publication is therefore subject to change without notice.